

# HCP1100 SERIES

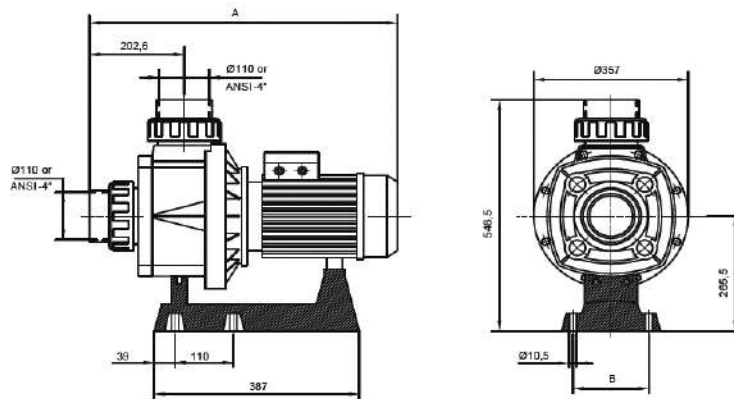
## Socket connections 2 850 rpm pumps without prefilter



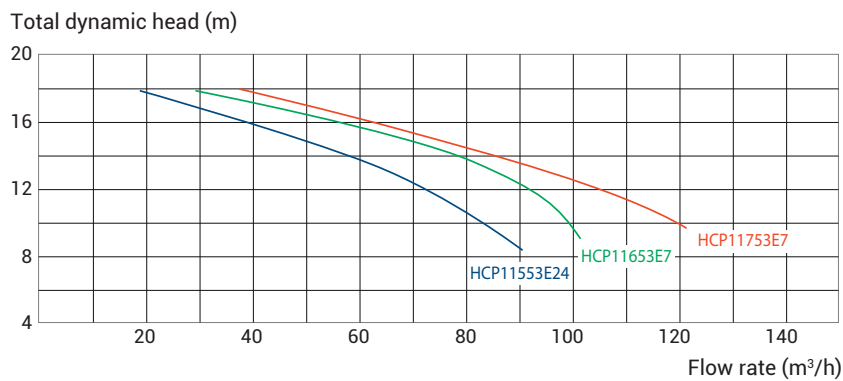
### Centrifugal pumps for up stream equipment, spas

- The three-phase motors are compliant with the IE3 standard
- Hydraulic housing, diffuser, impeller and flange in glass-fibre reinforced Noryl
- Operates at 50 Hz / 2 850 rpm, IP55, class F insulation
- Connections: inlet/outlet 110 mm
- ANSI connectors can be provided under request.
- Uses: up stream equipment, spas, water features

- ▶ 5.5 hp to 7.5 hp
- ▶ 2 850 rpm
- ▶ Pump material: thermoplastic pumps



### ⊗ HCP1100 SERIES Curves



HCP  
1100  
SERIES

Reference	P2 (hp)	P1 (kW)	Flow rate* (m³/h)	Inlet / Outlet (mm)	A (mm)	B (mm)	Weight (kg)	Motor	Amperage (A)	Packaging dimensions (mm)	Qty. per pallet (uds)	Efficiency (1)
HCP11553E24	5.5	4.7	70	110	626	143	37	Three-phase 230/400 V	15.6 / 9.0	675 x 377 x 490	12	IE3 ✓
HCP11553E7	5.5	4.7	70	110	626	143	37	Three-phase 400/700 V	9.0 / 5.2	675 x 377 x 490	12	IE3 ✓
HCP11653E7	6.5	5.8	88.5	110	626	143	38	Three-phase 400/700 V	11.5 / 6.6	675 x 377 x 490	12	IE3 ✓
HCP11753E7	7.5	7.0	104	110	671	181.5	44	Three-phase 400/700 V	12.1 / 7.0	675 x 377 x 490	12	IE3 ✓

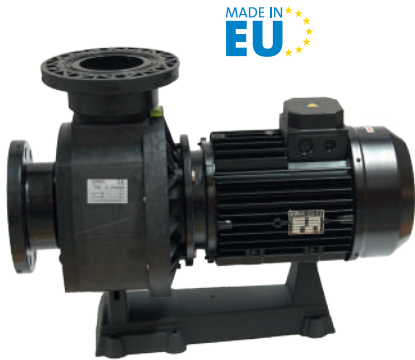
\* 12 column pressure / P1: Power input / P2: Nominal Power

# HCP1100 SERIES

## Flanged connection 2 850 rpm pumps without prefilter

2

YEARS OF WARRANTY



MADE IN EU

IE3 ✓

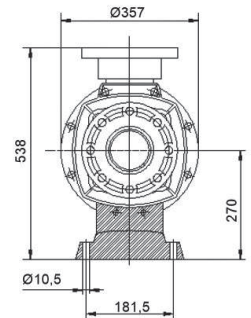
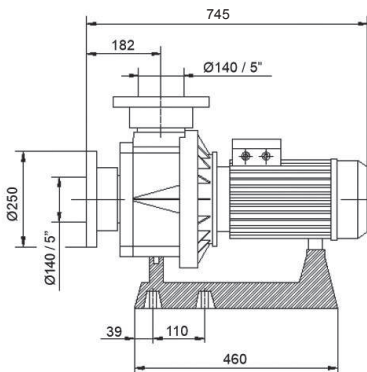
▶ 10 hp to 20 hp

▶ 2 850 rpm

▶ Pump material:  
thermoplastic pumps

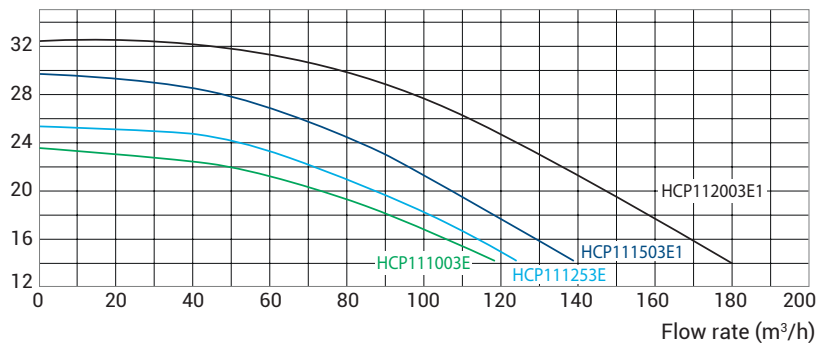
### Centrifugal pumps for up stream equipment, spas

- The three-phase motors are compliant with the IE3 standard
- Hydraulic housing, diffuser, impeller and flange in glass-fibre reinforced Noryl, to withstand 3.5 kg/cm<sup>2</sup> working pressure
- This pump is suitable for salt water and sea water
- Operates at 50 Hz / 2 850 rpm, IP55, class F insulation
- Connections: inlet/outlet flanges 140 mm
- Can be assembled with a PPKT prefilter
- Uses: up stream equipment, spas

HCP1100 PUMP  
WITH FLANGED  
CONNECTIONPPKT prefilter  
Ref. 201025140103Coupling kit  
ref. 1KIT1250000HCP 1100 SERIES  
+ Prefilter

### ⊕ HCP1100 Curves

Total dynamic head (m)

HCP  
1100  
SERIES

Reference	P2 (HP)	P1 (kW)	Flow rate* (m <sup>3</sup> /h)	Inlet / Outlet flanges (mm)	Weight (kg)	Motor	Amperage (A)	Packaging dimensions (mm)	Qty. per pallet (uds)	Efficiency (l)
HCP111003E1	10	8.7	108	140	58	Three-phase 400/700 V	15.8/9.2	675 x 377 x 490	6	IE1
HCP111253E1	12.5	11	114	140	75	Three-phase 400/700 V	19.2/11.1	675 x 377 x 490	6	IE1
HCP111503E1	15	13.1	130	140	78.5	Three-phase 400/700 V	21.6/12.5	675 x 377 x 490	6	IE1
HCP112003E1	20	18.5	169	140	81	Three-phase 400/700 V	28/16.2	675 x 377 x 490	6	IE1
HCP111003E	10	8.7	108	140	58	Three-phase 400/700 V	15.8/9.2	675 x 377 x 490	6	IE3 ✓
HCP111253E	12.5	11	114	140	75	Three-phase 400/700 V	19.2/11.1	675 x 377 x 490	6	IE3 ✓

\* under 16 m water column pressure / P1: Power input / P2: Nominal power

PPKT 25L  
PREFILTER

Reference	Reference coupling kit	Capacity (liters)	Inlet Outlet flanges (mm)	Weight (kg)	Volume (m <sup>3</sup> )
201025140103	1KIT1250000	25	140	34	0.450