

HCP4000 SERIES

2 850 rpm pumps

2

YEARS OF WARRANTY

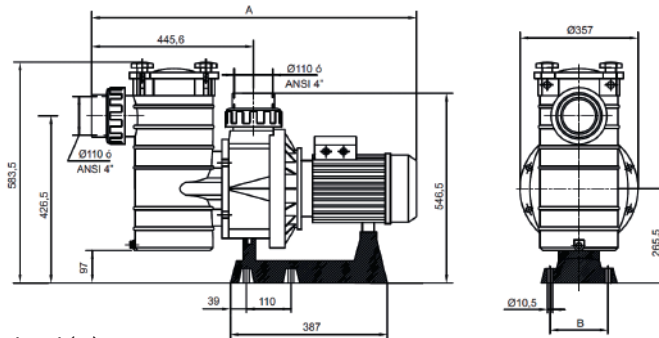
MADE IN
EU

IE3 ✓

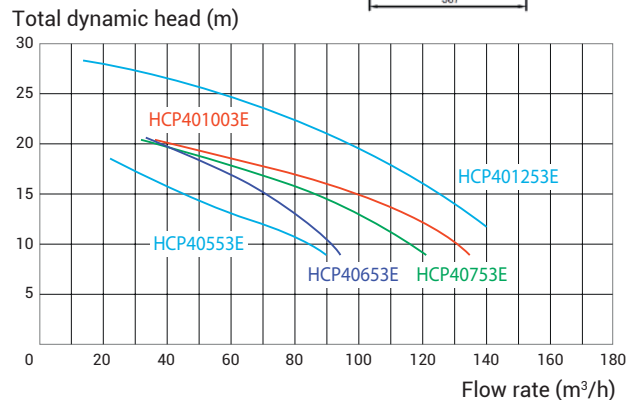
- ▶ 5.5 hp to 12.5 hp
- ▶ 2 850 rpm
- ▶ Pump material: thermoplastic pumps

High-capacity pumps

- Self-priming centrifugal pump made of glass-fibre reinforced thermoplastics
- Light weight and easy to install
- The three-phase motors are compliant with the IE3 standard
- High-performance hydraulics
- Turbine made of reinforced Noryl
- This pump is suitable for salt water and sea water
- High-performance TEFC motor
- High-capacity strainer (14 l) with transparent cover for easy maintenance
- Elevated base to ensure proper motor ventilation
- Operates at 50 Hz / 2 850 rpm, IP55, class F insulation
- ANSI connectors can be provided under request
- Uses: very large pools, spas, water features



➤ HCP4000 SERIES Curves



Reference	P2 (HP)	P1 (kW)	Flow rate* (m ³ /h)	Inlet / Outlet (mm)	Weight (kg)	Motor	Amperage (A)	Dim A (mm)	Dim B (mm)	Packaging dimensions (mm)	Qty. per pallet (uds)	IE3 ✓
HCP40553E	5.5	4.7	64.0	110	45	Three-phase 400 / 700V	9.0 / 5.2	914	143	940 x 390 x 620	6	IE3 ✓
HCP40653E	6.5	5.9	84.2	110	46	Three-phase 400 / 700V	11.5 / 6.6	914	143	940 x 390 x 620	6	IE3 ✓
HCP40753E	7.5	7.0	104.5	110	52	Three-phase 400 / 700V	12.1 / 7.0	914	143	940 x 390 x 620	6	IE3 ✓
HCP401003E	10	8.7	115.6	110	66	Three-phase 400 / 700V	15.8 / 9.2	944	185	940 x 390 x 620	3	IE3 ✓
HCP401253E	12.5	10.2	137	110	76	Three-phase 400 / 700V	18 / 10.4	984	181.5	-	3	IE3 ✓

*under 12 m water column pressure / P1: Power input / P2: Nominal power