

HCP5000 SERIES

2 900 rpm pumps

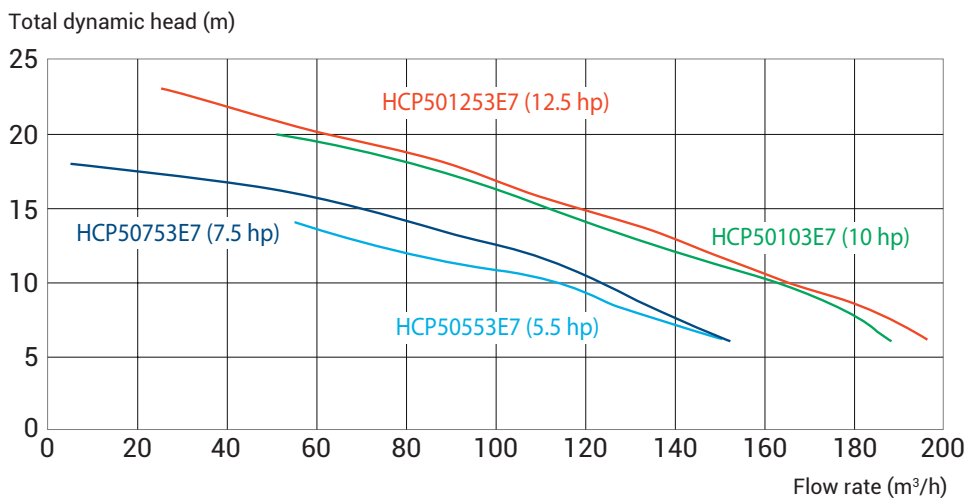
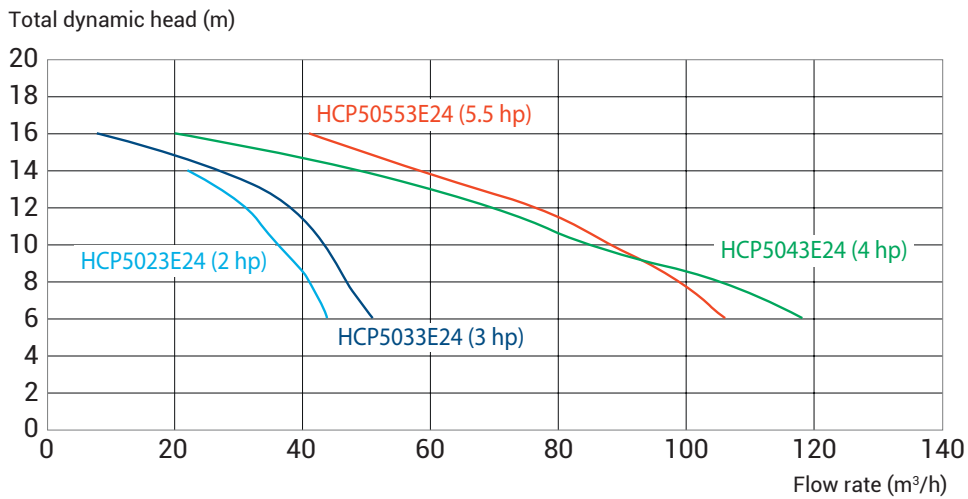


The solution for Commercial Pools

- ▶ 2 hp to 12.5 hp
- ▶ 2 900 rpm
- ▶ Pump material: Cast Iron
- ▶ Impeller material: Bronze

- Brass and bronze impellers as standard
- All cast Iron parts include electrolytic coating for high resistance to corrosion
- Stainless steel prefilter basket
- Pump provided with prefilter and coupling kit
- Max flow: 160 m³/h
- Carbon mechanical seal in carbon
- For 60 Hz, please contact us
- European Market IE3, efficiency motors

➤ HCP5000 SERIES Curves



HCP5000 SERIES

2 900 rpm pumps

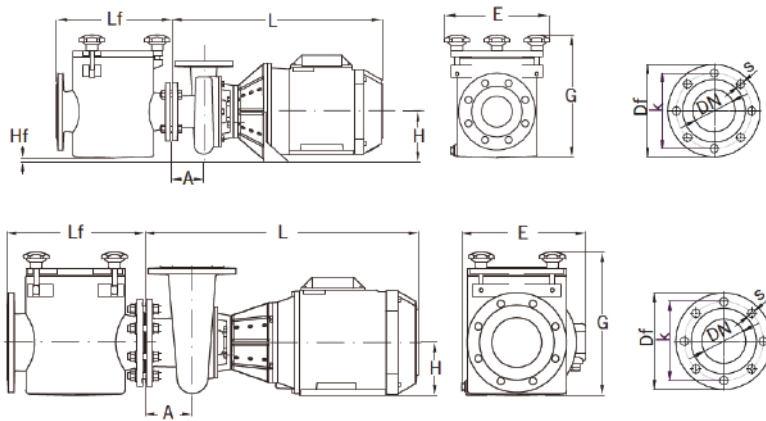
YEARS OF WARRANTY

⦿ HCP5000 SERIES Performance table

Reference	P2	Amperage (A)				Head (m)								Connection flanges		
		230/400 V		400/700 V		6	8	10	12	14	16	18	20	22	Inlet	Outlet
		hp	A	A	A	A	Flow rate (m ³ /h)								DN	DN
HCP5023E24	2	5.3	3.1	-	-	44	41	36	31	22	-	-	-	-	80	3"
HCP5033E24	3	7.6	4.3	-	-	51	47	42	38	27	8	-	-	-	80	3"
HCP5043E24	4	9.9	5.7	-	-	118	105	80	70	49	20	-	-	-	100	100
HCP50553E24	5.5	13	7.4	-	-	106	99	85	76	58	41	-	-	-	100	100
HCP50553E7	5.5	-	-	7.4	4.3	152	130	112	79	55	-	-	-	-	125	100
HCP50753E7	7.5	-	-	10.1	5.9	152	136	123	106	81	55	5	-	-	125	100
HCP50103E7	10	-	-	13.5	7.8	188	178	162	140	115	99	81	51	-	125	100
HCP501253E7	12.5	-	-	16.6	9.6	194	179	163	147	129	109	87	61	26	125	100

P2: Nominal Power

⦿ HCP5000 SERIES Dimensions



⦿ HCP5000 SERIES Table of dimensions

Reference	P2	DIMENSIONS (mm)														Prefilter capacity	Weight	
		Inlet flange				Outlet flange				Pump dimensions								
		DN	Df	k	s	DN	Df	k	s	A	E	G	H	Hf	L			Lf
HCP5023E24	2	80	200	160	8 x 19	55	152	125	4 x 14	82	271	319	132	12	491	300	11	54
HCP5033E24	3	80	200	160	8 x 19	55	152	125	4 x 14	82	271	319	132	12	491	300	11	55
HCP5043E24	4	100	220	180	8 x 19	100	220	180	8 x 19	120	288	320	132	-	584	300	11	69
HCP50553E24	5.5	100	220	180	8 x 19	100	220	180	8 x 19	120	288	320	132	-	606	300	11	78
HCP50553E7	5.5	125	250	210	8 x 19	100	220	180	8 x 19	120	275	347	132	-	606	347	13.5	91
HCP50753E7	7.5	125	250	210	8 x 19	100	220	180	8 x 19	120	312	360	132	-	724	347	13.5	99
HCP50103E7	10	125	250	210	8 x 19	100	220	180	8 x 19	120	312	360	132	-	724	347	13.5	105
HCP501253E7	12.5	125	250	210	8 x 19	100	220	180	8 x 19	120	312	360	132	-	724	347	13.5	114

P2: Nominal Power / Df: Outer diameter of the flange / k: Diameter between axes of opposing bores / s: Bores (Quantity x diameter)

⦿ HCP5000 SERIES Packaging dimensions (pallet)

HCP5000 SERIES 2 to 5.5 hp
HCP5023E24 HCP5033E24
HCP5043E24 HCP50553E24

HCP5000 SERIES 5.5 to 12.5 hp
HCP50553E7 HCP50753E7
HCP50103E7 HCP501253E7

