



COMMERCIAL CATALOG 2024

The strength of a global offer for commercial pools

Pumps • Filters • White goods • Water treatment • Cleaners • Heat pumps • Surround equipment

PREFACE

Our products are designed in Europe, for the European market, meaning that you can count on us, whatever the circumstances.

With 60 years' experience, Hayward® has a well-established expertise in filtration. To meet your needs in terms of aquatic centres, campsites, waterfalls and other projects, our 10 pump models, available in cast iron or thermoplastic are suitable for all your requirements. Likewise, our range of filters, featuring our advanced expertise in high performance bobbin would filter technology and the renowned SwimClear™ cartridge filter range, is suitable for the most demanding projects and offers a comprehensive range of options. To complement this range of filters, we also offer a wide selection of automatic and manual batteries. We are also leaders in the introduction of salt chlorination technology in commercial pools and we have a complete range of equipment designed to cover all needs of collective swimming pools.

For this 2024 edition, we wish to draw your attention to the new products that consolidate our overall selection. In terms of filtration equipment, the HCF Barcelona bobbin filter now features a high resistance transparent lid. Also, our range of outdoor equipment has been enlarged with an entire product category of competition equipment. Lastly, we are expanding our salt electrolysis water treatment range with the addition of AquaRite® Flo Commercial and AquaRite® LTO. Hayward® now offers, in addition to AquaRite® HC, two state of the art suitable solutions for all public swimming pool projects. AquaRite® Flo Commercial provides up to 250g/h of Chlorine generation all in an "in-line" One-housing Salt. AquaRite® LTO adds simplicity and safety to your facility by controlling and automatizing pH and redox levels.

At Hayward, as recognized public swimming pools equipment supplier, we know of the specificities and unique needs of our partners. Our commercial technical team is on-hand to offer dedicated support, so please do get in touch with them!

You can count on us and the Hayward® brand to achieve your most ambitious goals.

Fernando Blasco
VP, General Manager Europe & RoW

10-51 > PUMPS

52-73 > FILTERS

74-89 > WHITE GOODS

90-111 > POOL SURROUND EQUIPMENT

112-131 > SANITIZATION

132-135 > CLEANER

136-139 > HEAT PUMPS

140-141 > WARRANTIES / GSC

Global Solution for commercial pools

SANITIZATION: CONTROL STATION PANEL

FILTERS - HCF UNI-SERIES

PUMP - HCP 4000 SERIES



HEAT PUMP - MACROLINE

UV MEDIUM PRESSURE - SMART SERIES


European sales organisation

HAYWARD® is present throughout the European territory with a strong **commercial and technical team of 50** dedicated people.

JOIN US AND
FOLLOW US ON OUR
SOCIAL NETWORK

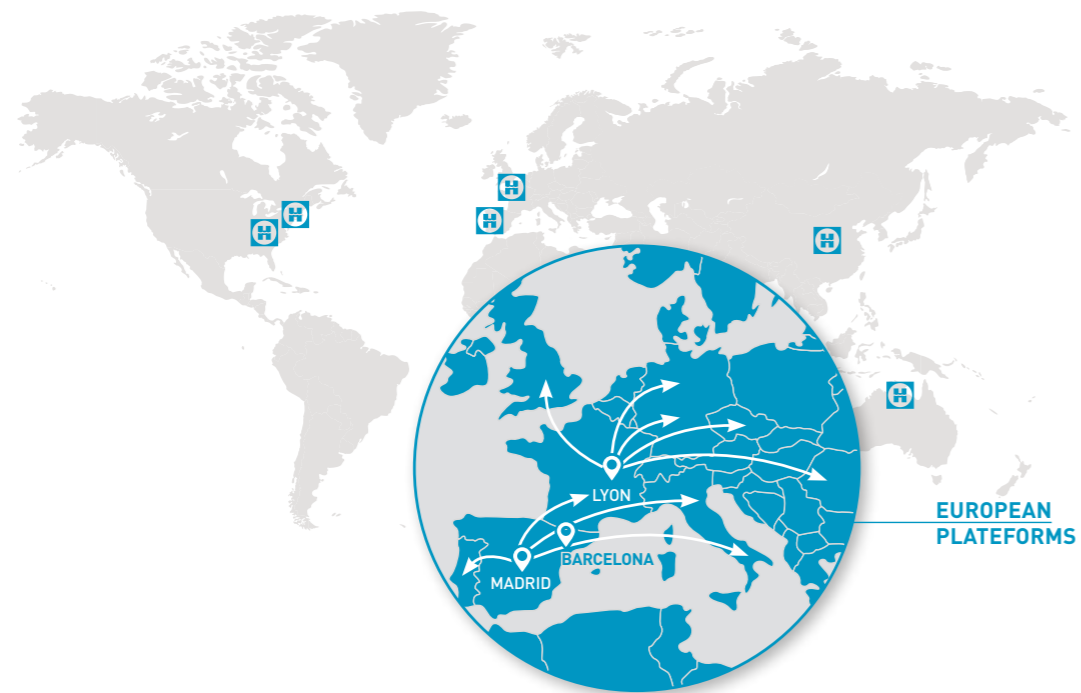


To contact our Customer Sales service:

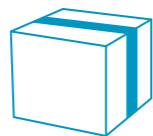
 eu-customerservice@hayward.com

Hayward®, leading supplier of pool equipment

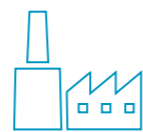
A worldwide presence



60
YEARS
OF EXPERIENCE AND
PRESENCE IN EUROPE



1 000
SKUS IN EUROPE



11
FACTORIES
(DISTRIBUTION
CENTERS INCLUDED)



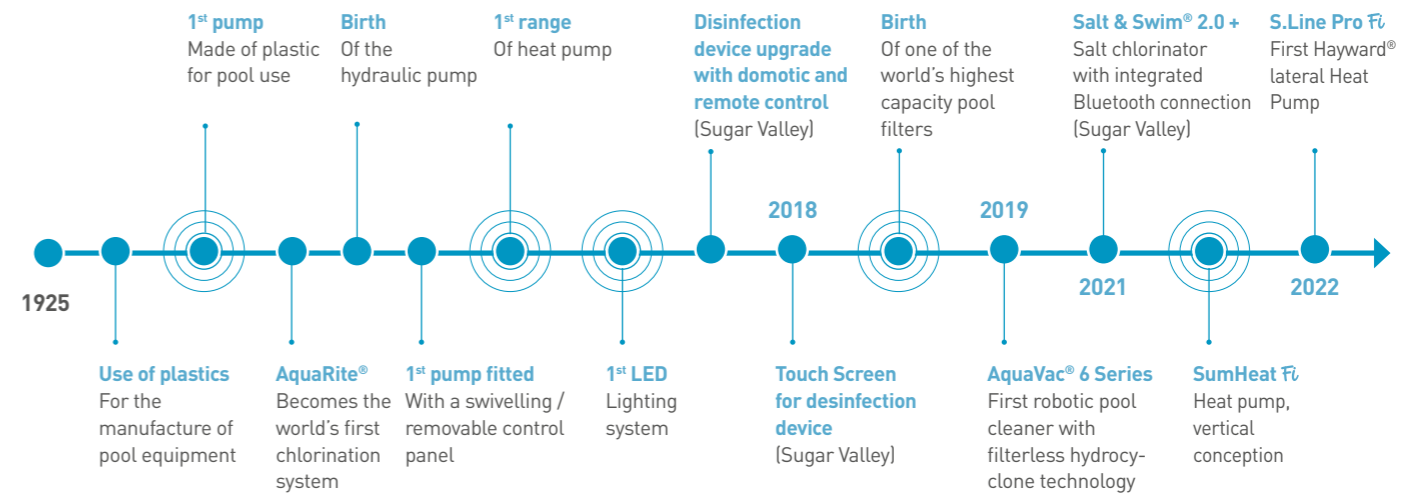
2 300
EMPLOYEES WORLDWIDE

MORE THAN
6 MILLION
POOLS FITTED
WITH HAYWARD®
PRODUCTS



Hayward®, has been established in Europe for more than 60 years, with a local industrial and logistics presence

...A history driven by **product innovations...**

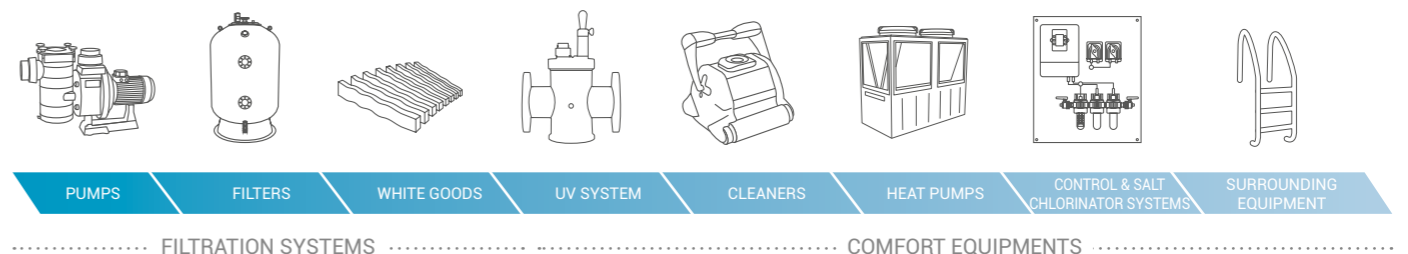


HAYWARD® IN EUROPE - A GLOBAL OFFER

- We have all the necessary internal resources (engineering, marketing, production, etc.) to design products adapted to the European market
- A complete range of products (filtration and comfort) for private pools
- Various ranges - Hayward®, Kripsol® - to cover all your markets and requirements
- Proven expertise in water treatment with our Sugar Valley technology
- A global offer for commercial pools with our Hayward Commercial Aquatics range

ALWAYS CLOSER TO YOU

A full range





WARNING

(1) Please note that due to new regulations, we can no longer sell the single-phase models with IE1 motor and the three-phase models with IE1 motor to European Union countries*. Single-phase 230 V references with IE1 motor will be available until end of stock. Later they will be replaced by the corresponding 230 V single-phase models with IE2 motor.

* List of European Union countries: Germany, Austria, Belgium, Bulgaria, Cyprus, Croatia, Denmark, Slovakia, Slovenia, Spain, Estonia, Finland, France, Greece, Hungary, Ireland, Italy, Latvia, Lithuania, Luxembourg, Malta, Netherlands, Poland, Portugal, Czech Republic, Romania, Sweden.

PUMPS

Global solution for public pools

OUR RANGE OF PUMPS

Hayward® Commercial Aquatics offers a full range of pump technologies suitable for all types of commercial pools.

From small pools to large pools, the hydraulic performance levels are ideal to meet the requirements of complex installations.

All the three-phase motors are compliant with the IE3 standard of efficiency according to the directive 2005/32/EC of the European Parliament and of the Council, that promotes high-efficiency motors with the aim of reducing installation energy consumption.

HCP SERIES PUMPS

HCP7200 SERIES.....	12
HCP5200 SERIES.....	14
HCP5000 SERIES.....	19
HCP4200 SERIES.....	21
HCP4000 SERIES.....	22
HCP3800 SERIES.....	23
HCP3600 SERIES.....	24
HCP1100 SERIES.....	25
HCP1000 SERIES.....	27
HCP0900 SERIES.....	28
VARIABLE FREQUENCY DRIVE	30
PERFORMANCE AT DIFFERENT FREQUENCIES.....	32
PREFILTERS	40
ACCESSORIES	43
BLOWERS.....	44
SUMMARY COMMERCIAL PUMPS.....	48

HCP7200 SERIES

1 450 rpm pumps

2
YEARS OF WARRANTY



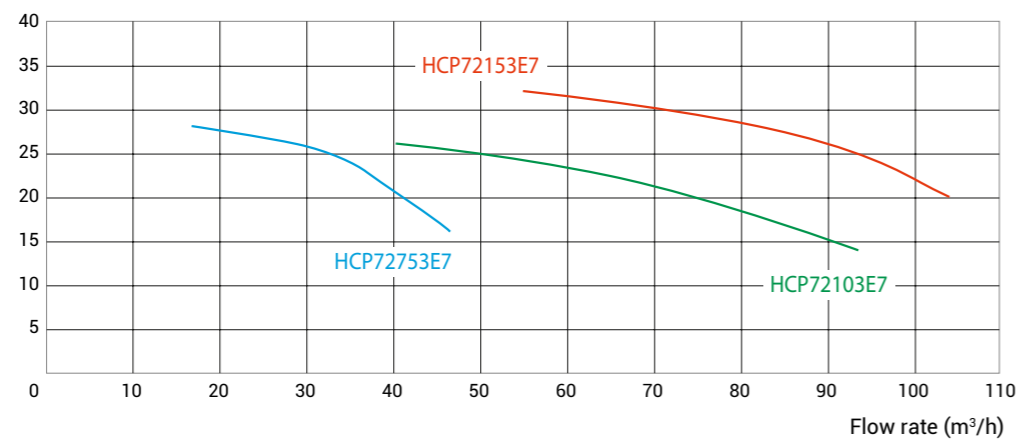
The solution for Commercial Pools

- All cast Iron pumps include electrolytic coating for high resistance to corrosion
- Stainless steel prefilter basket
- Pump provided with prefilter and coupling kit
- Max flow: 325 m³/h
- Carbon mechanical seal
- For 60 Hz, please contact us
- European Market IE3, efficiency motors

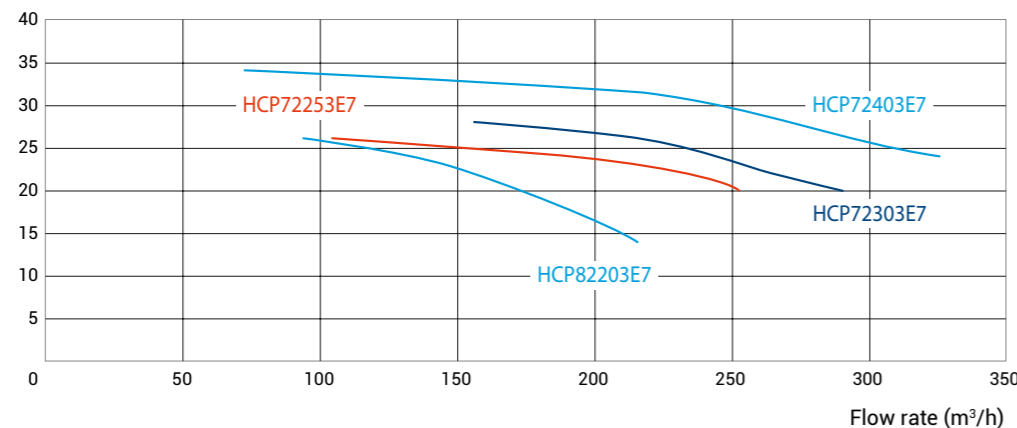
- ▶ 7.5 hp to 40 hp
- ▶ 1 450 rpm
- ▶ Pump material: Cast Iron
- ▶ Impeller material: Bronze

HCP7200 SERIES Curves

Total dynamic head (m)



Total dynamic head (m)



HCP7200 SERIES

1 450 rpm pumps

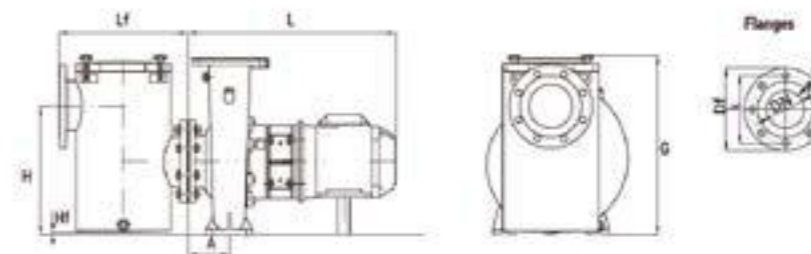
2
YEARS OF WARRANTY

HCP7200 SERIES Performance table

Reference	Amperage (A)			Head (m)										Connection flanges	
	P2	400/700V		14	16	18	20	22	24	26	28	30	32	Inlet	Outlet
	hp	A	A	Flow Rate (m ³ /h)										DN	DN
HCP72753E7	7.5	11	6.2	-	47	44	41	38	35	29	17	-	-	80	50
HCP72103E7	10	14	8.3	94	88	81	74	66	56	40	-	-	-	80	65
HCP72153E7	15	20	12	-	-	-	104	100	96	90	82	70	55	80	65
HCP82203E7	20	27	16	216	203	188	173	156	132	94	-	-	-	125	100
HCP72253E7	25	33	19	-	-	-	252	231	186	104	-	-	-	150	125
HCP72303E7	30	40	23	-	-	-	290	265	244	216	156	-	-	150	125
HCP72403E7	40	54	31	-	-	-	-	-	325	296	270	240	198	150	125

P2: Nominal Power

HCP7200 SERIES dimensions

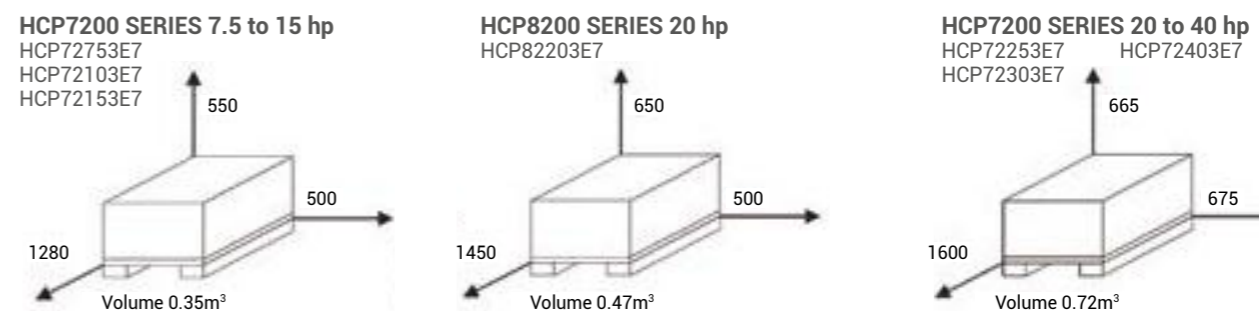


HCP7200 SERIES Table of dimensions

Reference	P2	DIMENSIONS (mm)														Prefilter capacity	Weight
		Inlet flange					Outlet flange				Pump dimensions						
hp	DN	Df	k	s	DN	Df	k	s	A	G	H	Hf	L	Lf	Lts	kg	
HCP72753E7	7.5	80	200	160	8 x 19	50	165	125	4 x 19	125	505	225	105	747	300	11	150
HCP72103E7	10	80	200	160	8 x 19	65	185	145	4 x 19	125	505	225	105	784	300	11	159
HCP72153E7	15	80	200	160	8 x 19	65	185	145	4 x 19	125	505	225	105	917	300	11	184
HCP82203E7	20	125	250	210	8 x 19	100	220	180	8 x 19	140	565	250	118	1003	345	13.5	257
HCP72253E7	25	150	285	240	8 x 23	125	250	210	8 x 19	140	635	280	40	1017	445	42	355
HCP72303E7	30	150	285	240	8 x 23	125	250	210	8 x 19	140	635	280	40	1086	445	42	363
HCP72403E7	40	150	285	240	8 x 23	125	250	210	8 x 19	140	635	280	40	1137	445	42	415

P2: Nominal Power / Df: Outer diameter of the flange / k: Diameter between axes of opposing bores / s: Bores (Quantity x diameter)

HCP7200 SERIES packaging dimensions (pallet)



HCP5200 SERIES

1 450 rpm pumps

2
YEARS OF WARRANTY

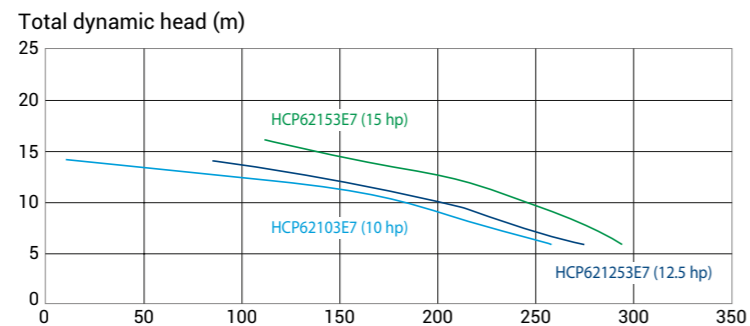
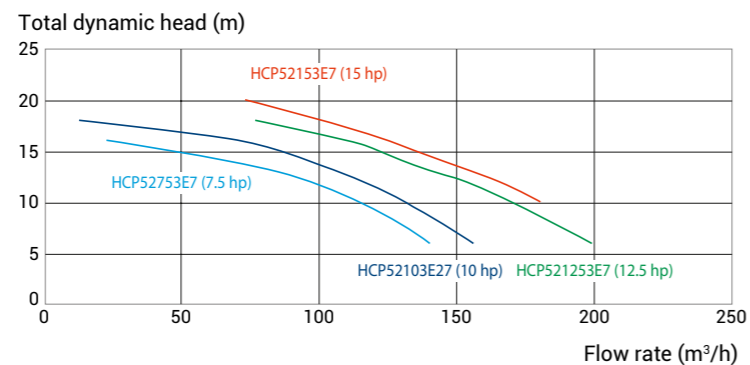
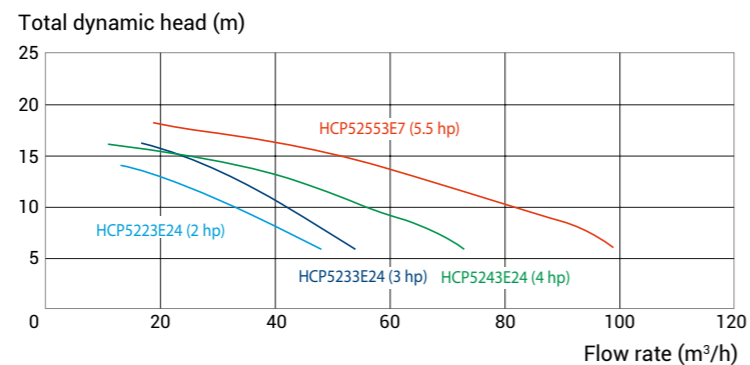


The solution for Commercial Pools

- All cast Iron pumps include electrolytic coating for high resistance to corrosion
- Stainless steel pre-filter and coupling kit
- Max flow: 550 m³/h
- Mechanical seal in carbon
- For 60 Hz, please contact us
- European Market IE3, efficiency motors

- ▶ 2 hp to 40 hp
- ▶ 1 450 rpm
- ▶ Pump material: Cast Iron
- ▶ Impeller material: Bronze

HCP5200 SERIES Curves



HCP5200 SERIES for high dynamic head & flow

1 450 rpm pumps

2
YEARS OF WARRANTY

HCP 5200 SERIES Performance table

Reference	P2	Amperage (A)				Head (m) - Flow Rate (m ³ /h)								Connection flanges	
		230/400 V		400/700 V		6	8	10	12	14	16	18	20	Inlet	Outlet
		hp	A	A	A	A									DN
HCP5223E24	2	5.7	3.3	-	-	48	40	33	24	13	-	-	-	100	3"
HCP5233E24	3	7.9	4.5	-	-	54	48	42	36	28	17	-	-	100	3"
HCP5243E24	4	10.5	6	-	-	73	66	55	46	33	11	-	-	100	80
HCP52553E7	5.5	-	-	7.9	4.6	99	93	82	70	58	42	19	-	100	80
HCP52753E7	7.5	-	-	10.7	6.2	140	128	114	97	67	23	-	-	125	100
HCP52103E7	10	-	-	14.3	8.3	156	145	131	117	97	73	13	-	125	100
HCP521253E7	12.5	-	-	17.5	10.1	199	185	170	154	131	112	77	-	150	100
HCP52153E7	15	-	-	20.4	11.8	-	-	180	165	145	125	102	73	150	100
HCP62103E7	10	-	-	14.3	8.3	258	220	182	121	10	-	-	-	150	125
HCP621253E7	12.5	-	-	17.5	10.1	274	235	202	152	86	-	-	-	150	125
HCP62153E7	15	-	-	20.4	11.8	295	275	245	215	162	111	-	-	150	125

P2: Nominal Power



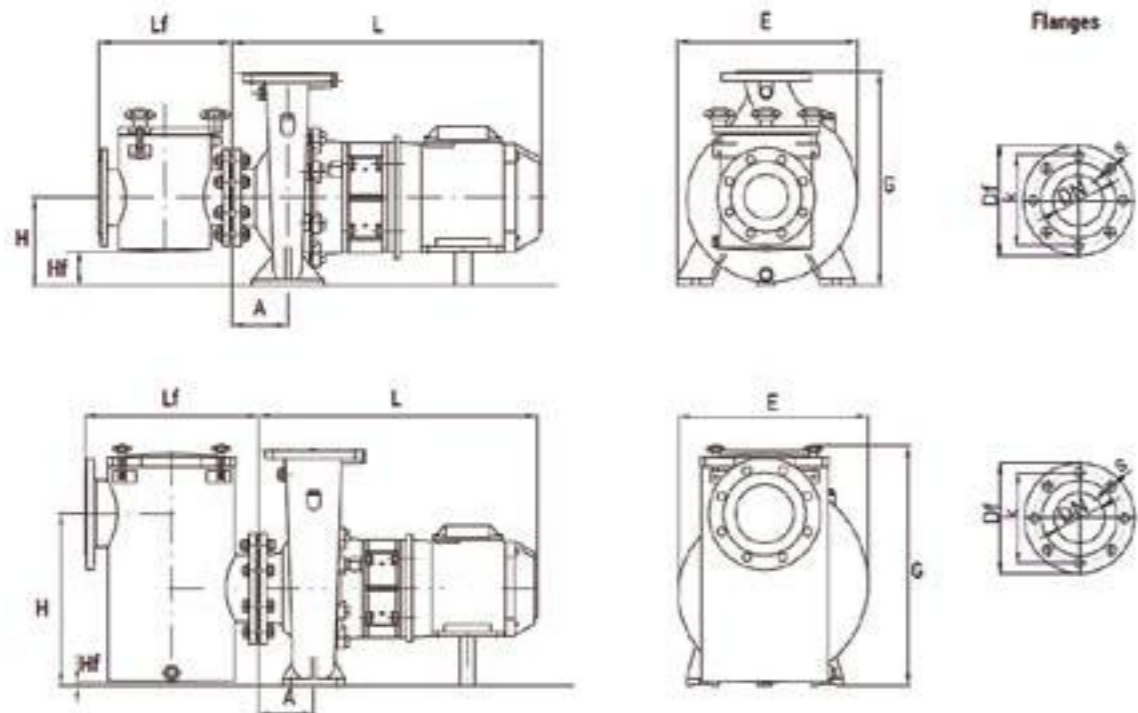
HCP5200 SERIES

1 450 rpm pumps

2

YEARS OF WARRANTY

HCP5200 SERIES Dimensions



Reference	P2	DIMENSIONS (mm)															Prefilter capacity Lts	Weight kg
		Inlet flange				Outlet flange				Pump dimensions								
		hp	DN	Df	k	s	DN	Df	k	s	A	E	G	H	Hf	L		
HCP5223E24	2	100	220	180	8 x 19	50	165	125	4 x 19	100	335	405	180	60	470	298	11	84
HCP5233E24	3	100	220	180	8 x 19	50	165	125	4 x 19	100	335	405	180	60	601	298	11	89
HCP5243E24	4	100	220	180	8 x 19	80	200	160	4 x 19	125	405	480	200	80	641	298	11	104
HCP5253E7	5.5	100	220	180	8 x 19	80	200	160	4 x 19	125	405	480	200	80	641	298	11	111
HCP52753E7	7.5	125	250	210	8 x 19	100	220	180	8 x 19	140	430	505	225	93	801	345	13.5	143
HCP52103E7	10	125	250	210	8 x 19	100	220	180	8 x 19	140	430	505	225	93	801	345	13.5	154
HCP521253E7	12.5	150	285	240	8 x 23	100	220	180	8 x 19	140	430	505	225	-15	801	445	42	213
HCP52153E7	15	150	285	240	8 x 23	100	220	180	8 x 19	140	430	505	225	-15	921	445	42	244
HCP62103E7	10	150	285	240	8 x 23	125	250	210	8 x 19	140	485	605	250	10	801	445	42	221
HCP621253E7	12.5	150	285	240	8 x 23	125	250	210	8 x 19	140	485	605	250	10	801	445	42	228
HCP62153E7	15	150	285	240	8 x 23	125	250	210	8 x 19	140	485	605	250	10	921	445	42	261

HCP5200 SERIES

1 450 rpm pumps - large models

2

YEARS OF WARRANTY

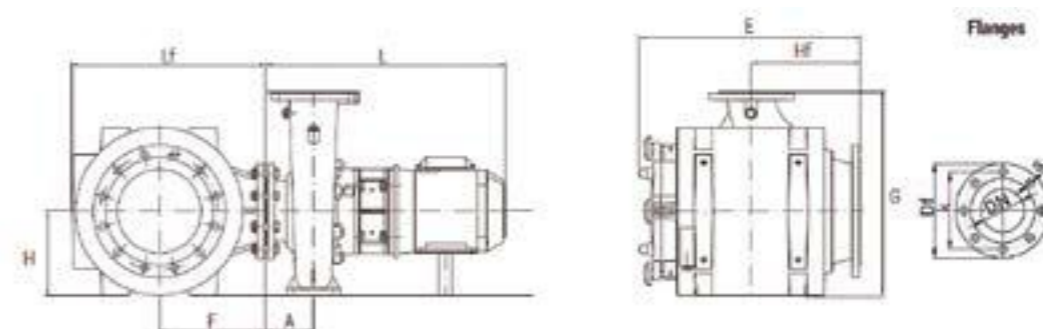
MADE IN
EU



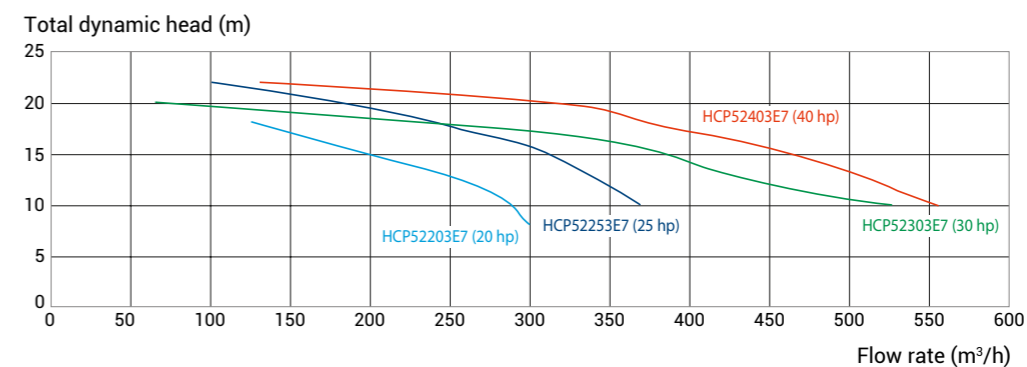
Large models

- Installation in horizontal or vertical position
- ▶ 20 hp to 40 hp
- ▶ 1 450 rpm
- ▶ Pump material: Cast Iron
- ▶ Impeller material: Bronze

HCP5200 SERIES Dimensions



HCP5200 SERIES Curves - large models



HCP5200 SERIES Performance table

Reference	hp	Amperage (A)		Head (m)							Connection flanges		
		400/700 V		8	10	12	14	16	18	20	22	Inlet	Outlet
		A	A	Flow Rate (m³/h)							DN	DN	
HCP52203E7	20	27.3	15.8	299	287	262	222	171	126	-	-	250	125
HCP52253E7	25	33.5	19.4	-	369	349	324	297	240	184	101	250	125
HCP52303E7	30	39.7	23	-	528	451	403	357	244	66	-	300	150
HCP52403E7	40	53.8	31.2	-	556	521	487	440	375	316	131	300	150

P2: Nominal Power

HCP5200 SERIES

1 450 rpm pumps - large models

2

YEARS OF WARRANTY

HCP5200 SERIES Table of dimensions

Reference	P2 hp	DIMENSIONS (mm)															Prefilter capacity Lts	Weight kg
		Inlet flange				Outlet flange				Pump dimensions								
	DN	Df	k	s	DN	Df	k	s	A	E	G	H	Hf	L	Lf			
HCP52203E7	20	250	395	350	12 x 23	125	250	210	8 x 19	140	665	605	250	328	963	570	93	319
HCP52253E7	25	250	395	350	12 x 23	125	250	210	8 x 19	140	665	605	250	328	963	570	93	335
HCP52303E7	30	300	445	400	12 x 23	150	280	240	8 x 23	160	665	655	280	328	893	570	93	361
HCP52403E7	40	300	445	400	12 x 23	150	280	240	8 x 23	160	665	655	280	328	1071	570	93	387

P2: Nominal Power / Df: Outer diameter of the flange / k: Circle of the centers of the bores / s: Bores (Quantity x diameter)

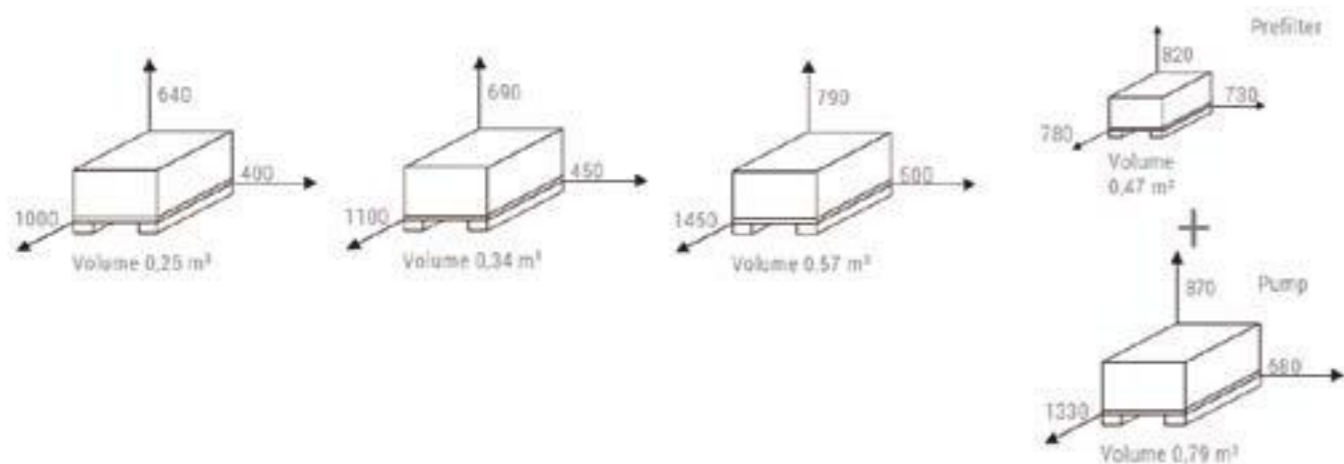
HCP5200 SERIES Packaging dimensions (pallets)

HCP5200 SERIES 2 to 3 hp
HCP5223E24
HCP5233E24

HCP5200 SERIES 4 to 5.5 hp
HCP5243E24
HCP5253E24

HCP5200 SERIES 7.5 to 15 hp
HCP5273E24
HCP52103E7
HCP521253E7
HCP52153E7

HCP5200 SERIES 20 to 40 hp
HCP52203E7
HCP52303E7
HCP62103E7
HCP621253E7
HCP62153E7



HCP5000 SERIES

2 900 rpm pumps

2

YEARS OF WARRANTY



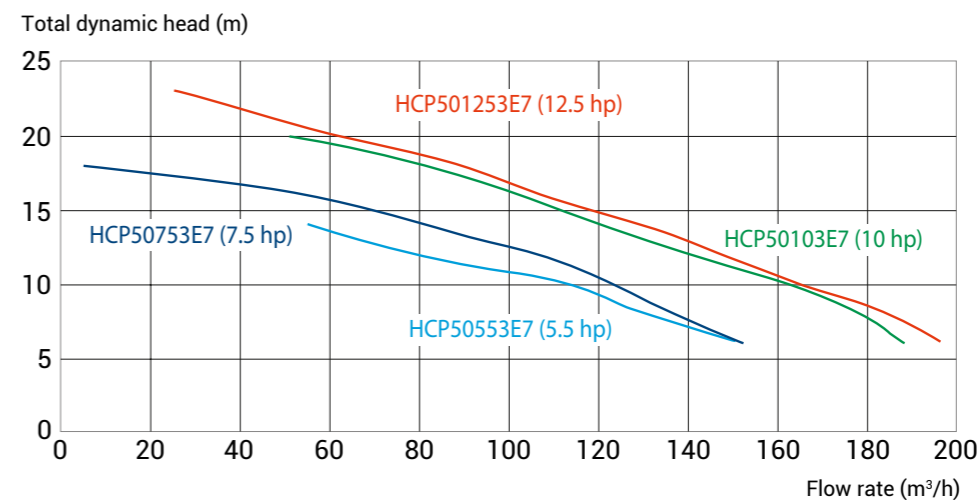
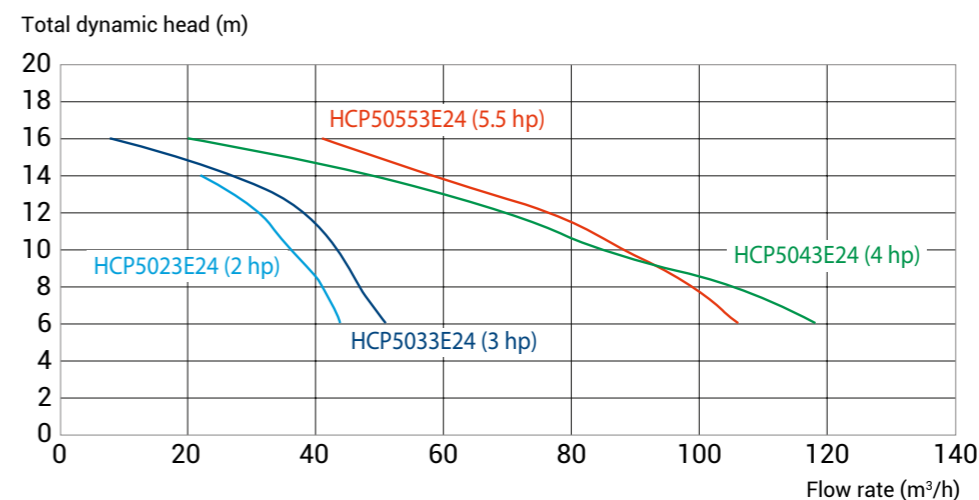
IE3

The solution for Commercial Pools

- Brass and bronze impellers as standard
- All cast Iron parts include electrolytic coating for high resistance to corrosion
- Stainless steel prefilter basket
- Pump provided with prefilter and coupling kit
- Max flow: 160 m³/h
- Carbon mechanical seal in carbon
- For 60 Hz, please contact us
- European Market IE3, efficiency motors

- ▶ 2 hp to 12.5 hp
- ▶ 2 900 rpm
- ▶ Pump material: Cast Iron
- ▶ Impeller material: Bronze

HCP5000 SERIES Curves



HCP5000 SERIES

2 900 rpm pumps

2

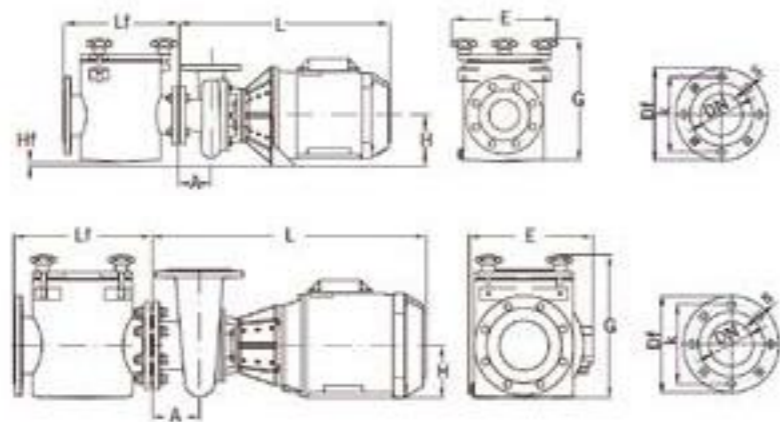
YEARS OF WARRANTY

HCP5000 SERIES Performance table

Reference	P2	Amperage (A)				Head (m)								Connection flanges		
		230/400 V		400/700 V		6	8	10	12	14	16	18	20	22	Inlet	Outlet
		hp	A	A	A	A	Flow rate (m³/h)								DN	DN
HCP5023E24	2	5.3	3.1	-	-	44	41	36	31	22	-	-	-	-	80	3"
HCP5033E24	3	7.6	4.3	-	-	51	47	42	38	27	8	-	-	80	3"	
HCP5043E24	4	9.9	5.7	-	-	118	105	80	70	49	20	-	-	100	100	
HCP50553E24	5.5	13	7.4	-	-	106	99	85	76	58	41	-	-	100	100	
HCP50553E7	5.5	-	-	7.4	4.3	152	130	112	79	55	-	-	-	125	100	
HCP50753E7	7.5	-	-	10.1	5.9	152	136	123	106	81	55	5	-	125	100	
HCP50103E7	10	-	-	13.5	7.8	188	178	162	140	115	99	81	51	125	100	
HCP501253E7	12.5	-	-	16.6	9.6	194	179	163	147	129	109	87	61	125	100	

P2:Nominal Power

HCP5000 SERIES Dimensions

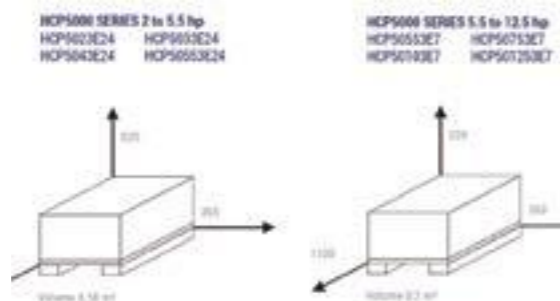


HCP5000 SERIES Table of dimensions

Reference	P2	DIMENSIONS (mm)														Prefilter capacity	Weight	
		Inlet flange				Outlet flange				Pump dimensions								
		DN	Df	k	s	DN	Df	k	s	A	E	G	H	Hf	L			Lf
HCP5023E24	2	80	200	160	8 x 19	55	152	125	4 x 14	82	271	319	132	12	491	300	11	54
HCP5033E24	3	80	200	160	8 x 19	55	152	125	4 x 14	82	271	319	132	12	491	300	11	55
HCP5043E24	4	100	220	180	8 x 19	100	220	180	8 x 19	120	288	320	132	-	584	300	11	69
HCP50553E24	5.5	100	220	180	8 x 19	100	220	180	8 x 19	120	288	320	132	-	606	300	11	78
HCP50553E7	5.5	125	250	210	8 x 19	100	220	180	8 x 19	120	275	347	132	-	606	347	13.5	91
HCP50753E7	7.5	125	250	210	8 x 19	100	220	180	8 x 19	120	312	360	132	-	724	347	13.5	99
HCP50103E7	10	125	250	210	8 x 19	100	220	180	8 x 19	120	312	360	132	-	724	347	13.5	105
HCP501253E7	12.5	125	250	210	8 x 19	100	220	180	8 x 19	120	312	360	132	-	724	347	13.5	114

P2: Nominal Power / Df: Outer diameter of the flange / k: Diameter between axes of opposing bores / s: Bores (Quantity x diameter)

HCP5000 SERIES Packaging dimensions (pallet)



HCP4200 SERIES

1 450 rpm pumps

2

YEARS OF WARRANTY



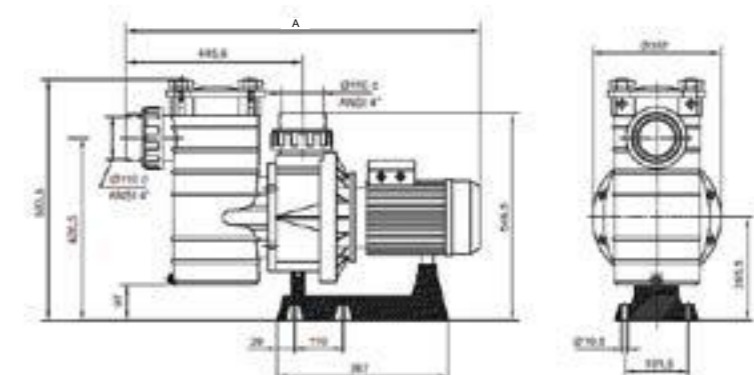
MADE IN EU

IE3 ✓

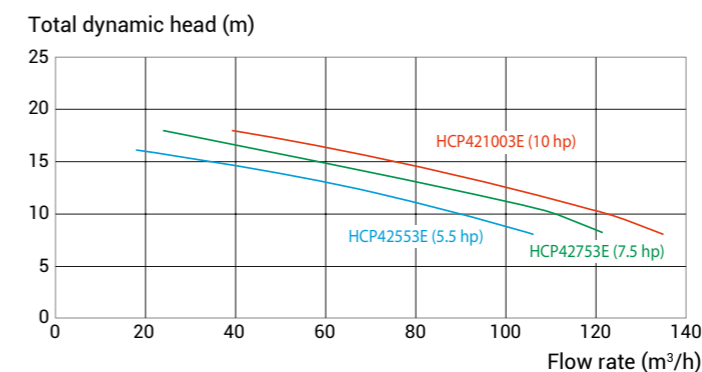
- ▶ 5.5 hp to 10 hp
- ▶ 1 450 rpm
- ▶ Pump material: thermoplastic pumps

High efficiency pumps

- Self-priming centrifugal pump made of glass-fibre reinforced thermoplastics
- The three-phase motors are compliant with the IE3 standard
- Turbine made of reinforced Noryl
- This pump is suitable for salt water and sea water
- 4-pole motor operating at 1 450 rpm / 50 Hz
- High-capacity strainer (14 l) with transparent cover for easy maintenance
- Elevated base to ensure proper motor ventilation
- ANSI connectors can be provided under request



HCP4200 SERIES Curves



Reference	P2 (HP)	P1 (kW)	Flow rate* (m³/h)	Inlet / Outlet (mm)	Weight (kg)	Motor	Amperage (A)	Dim A (mm)	Packaging dimensions (mm)	Qty. per pallet (uds)	IE3 ✓
HCP42553E	5.5	4.71	68	110	46	Three-phase 400 / 700V	9.1 / 5.3	889	940 x 390 x 620	6	IE3 ✓
HCP42753E	7.5	7	90	110	50	Three-phase 400 / 700V	12.3 / 7.1	914	940 x 390 x 620	6	IE3 ✓
HCP421003E	10	8.7	104	110	70	Three-phase 400 / 700V	16.0 / 9.3	944	1101 x 400 x 630	3	IE3 ✓

* under 12 m water column pressure / P1 Power Input / P2 Nominal power

HCP4000 SERIES

2 850 rpm pumps

2

YEARS OF WARRANTY

MADE IN EU

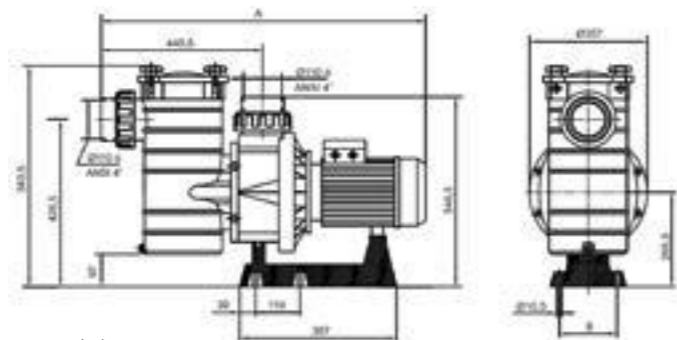


IE3 ✓

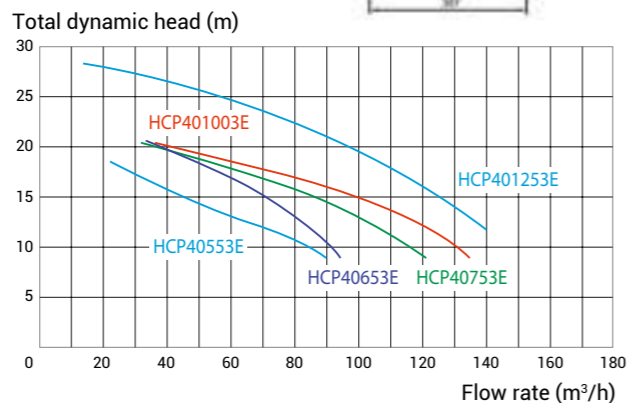
- ▶ 5.5 hp to 12.5 hp
- ▶ 2 850 rpm
- ▶ Pump material: thermoplastic pumps

High-capacity pumps

- Self-priming centrifugal pump made of glass-fibre reinforced thermoplastics
- Light weight and easy to install
- The three-phase motors are compliant with the IE3 standard
- High-performance hydraulics
- Turbine made of reinforced Noryl
- This pump is suitable for salt water and sea water
- High-performance TEFC motor
- High-capacity strainer (14 l) with transparent cover for easy maintenance
- Elevated base to ensure proper motor ventilation
- Operates at 50 Hz / 2 850 rpm, IP55, class F insulation
- ANSI connectors can be provided under request
- Uses: very large pools, spas, water features



⊕ HCP4000 SERIES Curves



Reference	P2 (HP)	P1 (kW)	Flow rate* (m³/h)	Inlet / Outlet (mm)	Weight (kg)	Motor	Amperage (A)	Dim A (mm)	Dim B (mm)	Packaging dimensions (mm)	Qty. per pallet (uds)	IE3 ✓
HCP40553E	5.5	4.7	64.0	110	45	Three-phase 400 / 700V	9.0 / 5.2	914	143	940 x 390 x 620	6	IE3 ✓
HCP40653E	6.5	5.9	84.2	110	46	Three-phase 400 / 700V	11.5 / 6.6	914	143	940 x 390 x 620	6	IE3 ✓
HCP40753E	7.5	7.0	104.5	110	52	Three-phase 400 / 700V	12.1 / 7.0	914	143	940 x 390 x 620	6	IE3 ✓
HCP401003E	10	8.7	115.6	110	66	Three-phase 400 / 700V	15.8 / 9.2	944	185	940 x 390 x 620	3	IE3 ✓
HCP401253E	12.5	10.2	137	110	76	Three-phase 400 / 700V	18 / 10.4	984	181.5	-	3	IE3 ✓

*under 12 m water column pressure / P1: Power input / P2: Nominal power

HCP3800 SERIES

2 850 rpm pumps

2

YEARS OF WARRANTY

MADE IN EU

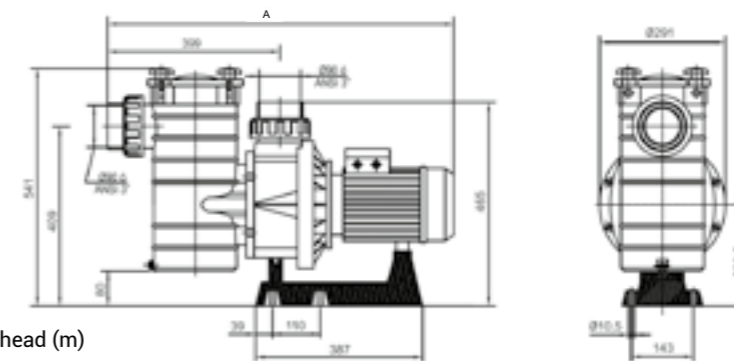


IE3 ✓

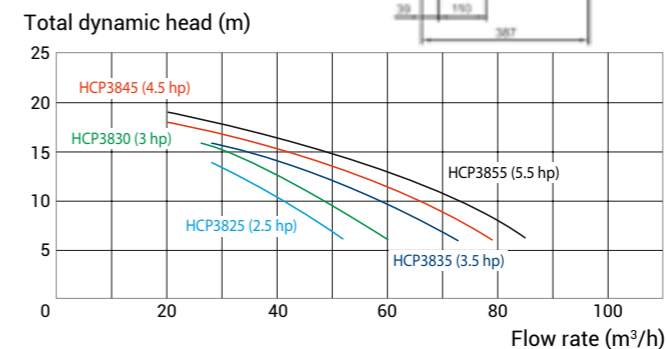
- ▶ 2.5 hp to 5.5 hp
- ▶ 2 850 rpm
- ▶ Pump material: thermoplastic pumps

Light weight and easy to install

- Pump made of glass-fibre reinforced thermoplastics
- The three-phase motors are compliant with the IE3 standard
- Turbine made of reinforced Noryl
- This pump is suitable for salt water and sea water
- Strainer with transparent cover for easy maintenance
- Elevated base to ensure proper motor ventilation
- Operates at 50 Hz / 2 850 rpm, IP55, class F insulation
- ANSI connectors can be provided under request.
- Uses: large pools, spas, water features



⊕ HCP3800 SERIES Curves



Reference	P2 (HP)	P1 (kW)	Flow rate* (m³/h)	Inlet / Outlet (mm)	Weight (kg)	Motor	Amperage (A)	Dim A (mm)	Packaging dimensions (mm)	Qty. per pallet (uds)	Efficiency (1)
HCP38251E	2.5	2.3	35	90	25.5	Single-phase 230 V	12.4	760	830 x 330 x 570	12	IE1 ✓
HCP38301E	3	2.8	42	90	26.2	Single-phase 230 V	14.5	760	830 x 330 x 570	12	IE1 ✓
HCP38253E1	2.5	2.3	35	90	25.5	Three-phase 230 / 400 V	8.3 / 4.8	760	830 x 330 x 570	12	IE1 ✓
HCP38303E1	3	2.8	42	90	26.2	Three-phase 230 / 400 V	8.8 / 5.1	760	830 x 330 x 570	12	IE1 ✓
HCP38353E1	3.5	3.7	50	90	30.5	Three-phase 230 / 400 V	10.4 / 6.0	801	830 x 330 x 570	12	IE1 ✓
HCP38453E1	4.5	4.3	57	90	30.5	Three-phase 230 / 400 V	11.7 / 6.75	801	830 x 330 x 570	12	IE1 ✓
HCP38553E1	5.5	4.7	67	90	35.5	Three-phase 230 / 400 V	14.6 / 8.5	815	830 x 330 x 570	12	IE1 ✓
HCP38553E17	5.5	4.7	67	90	35.5	Three-phase 400/700 V	8.5/4.8	815	830 x 330 x 570	12	IE1 ✓
HCP38253E	2.5	2.3	35	90	-	Three-phase 230 / 400 V	8.3 / 4.8	760	830 x 330 x 570	12	IE3 ✓
HCP38303E	3	2.8	42	90	-	Three-phase 230 / 400 V	8.8 / 5.1	760	830 x 330 x 570	12	IE3 ✓
HCP38353E	3.5	3.7	50	90	-	Three-phase 230 / 400 V	10.4 / 6.0	801	830 x 330 x 570	12	IE3 ✓
HCP38453E	4.5	4.3	57	90	-	Three-phase 230 / 400 V	11.7 / 6.75	801	830 x 330 x 570	12	IE3 ✓
HCP38553E24	5.5	4.7	67	90	35.5	Three-phase 230/400 V	14.6 / 8.5	815	830 x 330 x 570	12	IE3 ✓
HCP38553E7	5.5	4.7	67	90	35.5	Three-phase 400/700 V	8.5/4.8	815	830 x 330 x 570	12	IE3 ✓

* under 12 m water column pressure / P1: Power input / P2: Nominal Power
Single-phase 230 V references with IE1 motor will be available until end of stock. Later they will be replaced by the corresponding 230 V single-phase models with IE2 motor.

HCP3600 SERIES

2 850 rpm pumps

3

YEARS OF WARRANTY



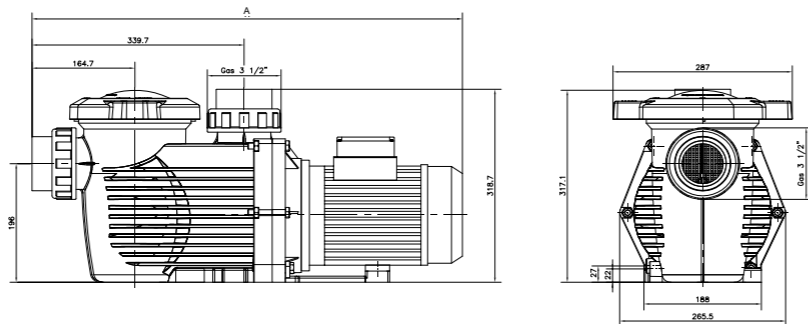
MADE IN EU

IE3 ✓

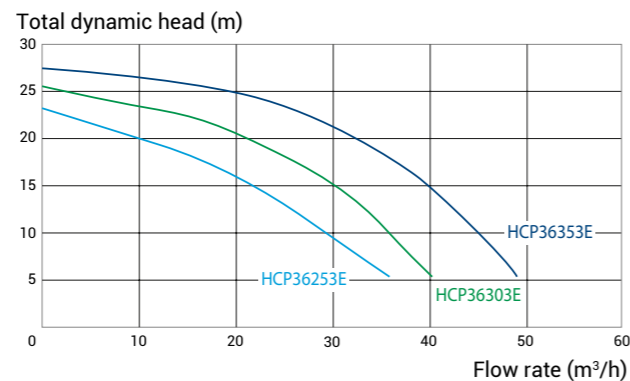
High performance TEFC

- Pump made of glass-fibre reinforced thermoplastics
- Light weight and easy to install
- The three-phase motors are compliant with the IE3 standard
- Turbine made of reinforced Noryl
- This pump is suitable for salt water and sea water
- Strainer with transparent cover for easy maintenance
- Twist-lock cover includes diameter 75 mm socket unions.
- Operates at 50 Hz / 2 850 rpm, IP55, class F insulation
- ANSI connectors can be provided under request
- Uses: large pools, spas, water features

- ▶ 2.5 hp to 3.5 hp
- ▶ 2 850 rpm
- ▶ Pump material: thermoplastic pumps



HCP3600 SERIES Curves



Reference	P2 (HP)	P1 (kW)	Flow rate* (m³/h)	Inlet / Outlet (mm)	Weight (kg)	Motor	Ampe- rage (A)	Dim A (mm)	Packaging dimensions (mm)	Qty. per pallet (uds)	Efficiency (1)
HCP36251E	2.5	2.4	30	75	24	Single-phase 230 V	12.5	669	285 x 285 x 720	20	IE1 ✓
HCP36301E	3	2.8	36	75	26	Single-phase 230 V	14.5	669	285 x 285 x 720	20	IE1 ✓
HCP36253E1	2.5	2.4	30	75	24	Three-phase 230 / 400 V	8.3 / 4.8	669	285 x 285 x 720	20	IE1 ✓
HCP36303E1	3	2.8	36	75	24	Three-phase 230 / 400 V	8.8 / 5.1	669	285 x 285 x 720	20	IE1 ✓
HCP36353E1	3.5	3.4	45	75	27	Three-phase 230 / 400 V	12.1 / 7	710	285 x 285 x 720	20	IE1 ✓
HCP36253E	2.5	2.1	30	75	28.5	Three-phase 230 / 400 V	8.3 / 4.8	669	285 x 285 x 720	20	IE3 ✓
HCP36303E	3	2.8	36	75	28.5	Three-phase 230 / 400 V	8.8 / 5.1	669	285 x 285 x 720	20	IE3 ✓
HCP36353E	3.5	3.8	45	75	31.5	Three-phase 230 / 400 V	12.1 / 7	710	285 x 285 x 720	20	IE3 ✓

* under 10 m water column pressure / P1: Power input / P2: Nominal Power
Single-phase 230 V references with IE1 motor will be available until end of stock. Later they will be replaced by the corresponding 230 V single-phase models with IE2 motor.

HCP1100 SERIES

Socket connections 2 850 rpm pumps without prefilter

2

YEARS OF WARRANTY



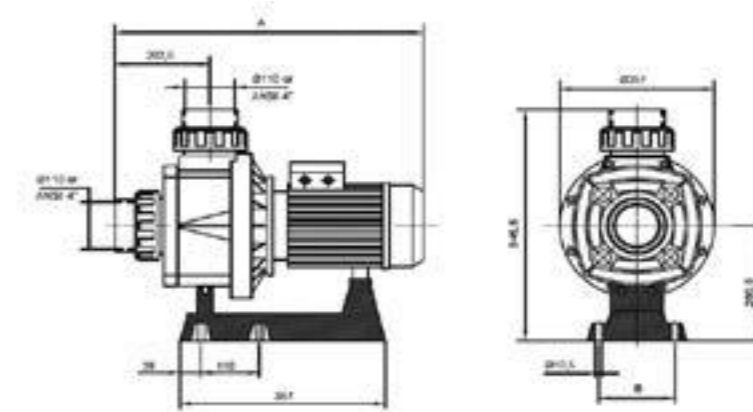
MADE IN EU

IE3 ✓

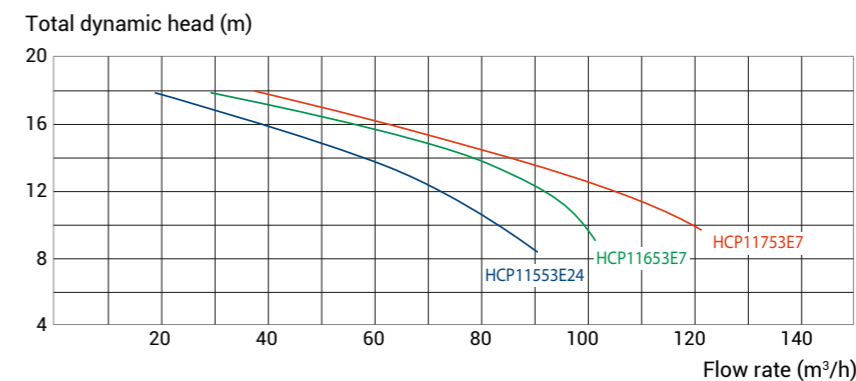
Centrifugal pumps for up stream equipment, spas

- The three-phase motors are compliant with the IE3 standard
- Hydraulic housing, diffuser, impeller and flange in glass-fibre reinforced Noryl
- Operates at 50 Hz / 2 850 rpm, IP55, class F insulation
- Connections: inlet/outlet 110 mm
- ANSI connectors can be provided under request.
- Uses: up stream equipment, spas, water features

- ▶ 5.5 hp to 7.5 hp
- ▶ 2 850 rpm
- ▶ Pump material: thermoplastic pumps



HCP1100 SERIES Curves



Reference	P2 (hp)	P1 (kW)	Flow rate* (m³/h)	Inlet / Outlet (mm)	A (mm)	B (mm)	Weight (kg)	Motor	Ampe- rage (A)	Packaging dimensions (mm)	Qty. per pallet (uds)	Efficiency (1)
HCP11553E24	5.5	4.7	70	110	626	143	37	Three-phase 230/400 V	15.6 / 9.0	675 x 377 x 490	12	IE3 ✓
HCP11553E7	5.5	4.7	70	110	626	143	37	Three-phase 400/700 V	9.0 / 5.2	675 x 377 x 490	12	IE3 ✓
HCP11653E7	6.5	5.8	88.5	110	626	143	38	Three-phase 400/700 V	11.5 / 6.6	675 x 377 x 490	12	IE3 ✓
HCP11753E7	7.5	7.0	104	110	671	181.5	44	Three-phase 400/700 V	12.1 / 7.0	675 x 377 x 490	12	IE3 ✓

* 12 column pressure / P1: Power input / P2: Nominal Power

HCP1100 SERIES

Flanged connection 2 850 rpm pumps without prefilter

2

YEARS OF WARRANTY



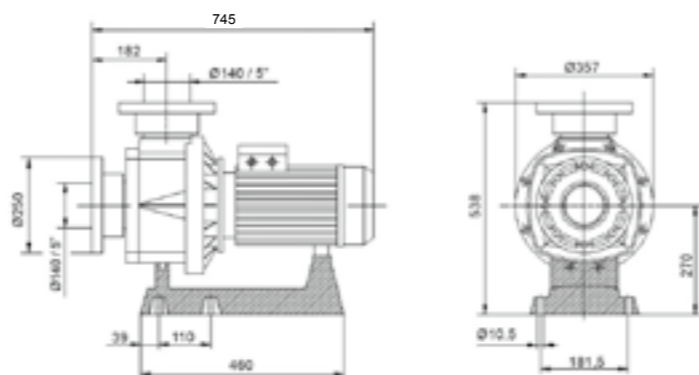
MADE IN EU

IE3 ✓

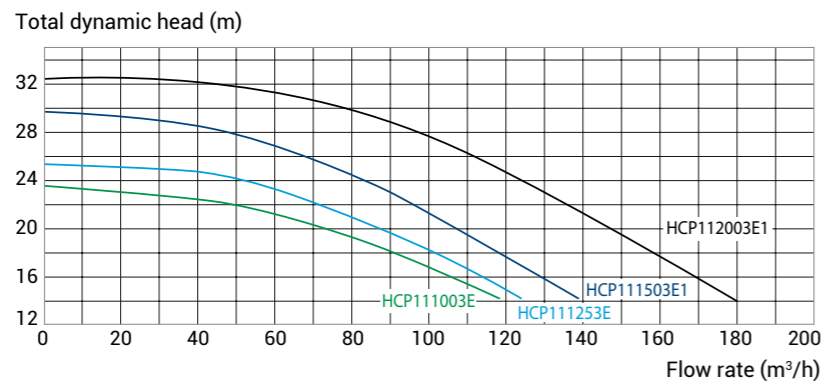
Centrifugal pumps for up stream equipment, spas

- The three-phase motors are compliant with the IE3 standard
- Hydraulic housing, diffuser, impeller and flange in glass-fibre reinforced Noryl, to withstand 3.5 kg/cm² working pressure
- This pump is suitable for salt water and sea water
- Operates at 50 Hz / 2 850 rpm, IP55, class F insulation
- Connections: inlet/outlet flanges 140 mm
- Uses: up stream equipment, spas

- ▶ 10 hp to 20 hp
- ▶ 2 850 rpm
- ▶ Pump material: thermoplastic pumps



HCP1100 Curves



Reference	P2 (HP)	P1 (kW)	Flow rate* (m³/h)	Inlet / Outlet flanges (mm)	Weight (kg)	Motor	Amperage (A)	Packaging dimensions (mm)	Qty. per pallet (uds)	Efficiency (1)
HCP111003E1	10	8.7	108	140	58	Three-phase 400/700 V	15.8/9.2	675 x 377 x 490	6	IE1 ✓
HCP111253E1	12.5	11	114	140	75	Three-phase 400/700 V	19.2/11.1	675 x 377 x 490	6	IE1 ✓
HCP111503E1	15	13.1	130	140	78.5	Three-phase 400/700 V	21.6/12.5	675 x 377 x 490	6	IE1 ✓
HCP112003E1	20	18.5	169	140	81	Three-phase 400/700 V	28/16.2	675 x 377 x 490	6	IE1 ✓
HCP111003E	10	8.7	108	140	58	Three-phase 400/700 V	15.8/9.2	675 x 377 x 490	6	IE3 ✓
HCP111253E	12.5	11	114	140	75	Three-phase 400/700 V	19.2/11.1	675 x 377 x 490	6	IE3 ✓

* under 16 m water column pressure / P1: Power input / P2: Nominal power

HCP1000 SERIES

2 850 rpm pumps without prefilter

2

YEARS OF WARRANTY



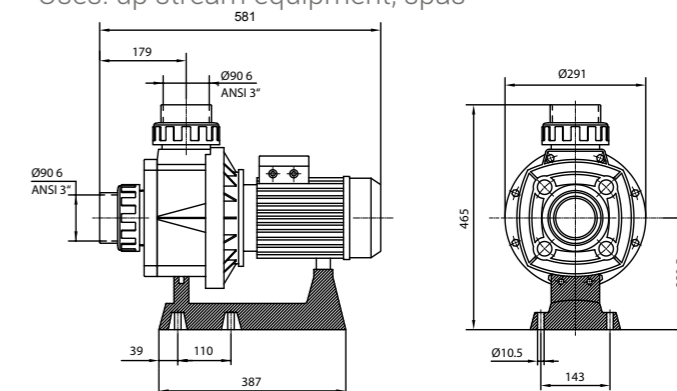
MADE IN EU

IE3 ✓

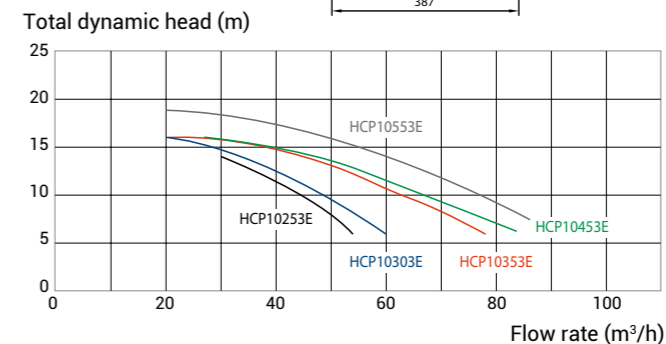
Centrifugal pumps for up stream equipment, spas

- The three-phase motors are compliant with the IE3 standard
- Turbine made of reinforced Noryl
- This pump is suitable for salt water and sea water
- Thermoset plastic hydraulic housing
- Operates at 50 Hz / 2 850 rpm, IP55, class F insulation
- Connections: inlet/outlet 90 mm. ANSI connectors can be provided under request.
- Uses: up stream equipment, spas

- ▶ 2.5 hp to 5.5 hp
- ▶ 2 850 rpm
- ▶ Pump material: thermoplastic pumps



HCP1000 Curves



Reference	P2 (hp)	P1 (kW)	Flow rate* (m³/h)	Inlet / Outlet (mm)	Weight (kg)	Motor	Amperage (A)	Packaging dimensions (mm)	Qty. per pallet (uds)	Efficiency (1)
HCP10251E	2.5	2.3	44	90	24.8	Single-phase 230 V	12.4	610 x 320 x 450	18	IE1 ✓
HCP10301E	3	2.8	48	90	26.8	Single-phase 230 V	14.5	610 x 320 x 450	18	IE1 ✓
HCP10253E1	2.5	2.3	44	90	21.5	Three-phase 230 / 400 V	8.3/4.8	610 x 320 x 450	18	IE1 ✓
HCP10303E1	3	2.8	48	90	21.5	Three-phase 230 / 400 V	8.8/5.1	610 x 320 x 450	18	IE1 ✓
HCP10353E1	3.5	3.7	63	90	26.8	Three-phase 230 / 400 V	10.4/6	610 x 320 x 450	18	IE1 ✓
HCP10453E1	4.5	4.3	67	90	26.8	Three-phase 230 / 400 V	11.7/6.8	610 x 320 x 450	18	IE1 ✓
HCP10553E1	5.5	4.7	68	90	31.5	Three-phase 230/400 V	14.9/8.6	610 x 320 x 450	18	IE1 ✓
HCP10553E17	5.5	4.7	68	90	31.5	Three-phase 400/700 V	8.5/4.8	610 x 320 x 450	18	IE1 ✓
HCP10253E	2.5	2.3	44	90	-	Three-phase 230 / 400 V	8.3/4.8	610 x 320 x 450	18	IE3 ✓
HCP10303E	3	2.8	48	90	-	Three-phase 230 / 400 V	8.8/5.1	610 x 320 x 450	18	IE3 ✓
HCP10353E	3.5	3.7	63	90	-	Three-phase 230 / 400 V	10.4/6	610 x 320 x 450	18	IE3 ✓
HCP10453E	4.5	4.3	67	90	-	Three-phase 230 / 400 V	11.7/6.8	610 x 320 x 450	18	IE3 ✓
HCP10553E24	5.5	4.7	68	90	31.5	Three-phase 230/400 V	14.9/8.6	610 x 320 x 450	18	IE3 ✓
HCP10553E7	5.5	4.7	68	90	31.5	Three-phase 400/700 V	8.5/4.8	610 x 320 x 450	18	IE3 ✓

* under 10 m water column pressure / P1: Power input / P2: Nominal power
Single-phase 230 V references with IE1 motor will be available until end of stock. Later they will be replaced by the corresponding 230 V single-phase models with IE2 motor.

HCP0900 SERIES

2 850 rpm pumps without prefilter

3

YEARS OF WARRANTY

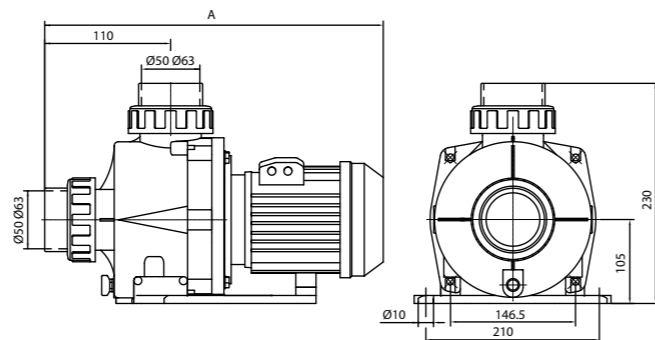


IE3 ✓

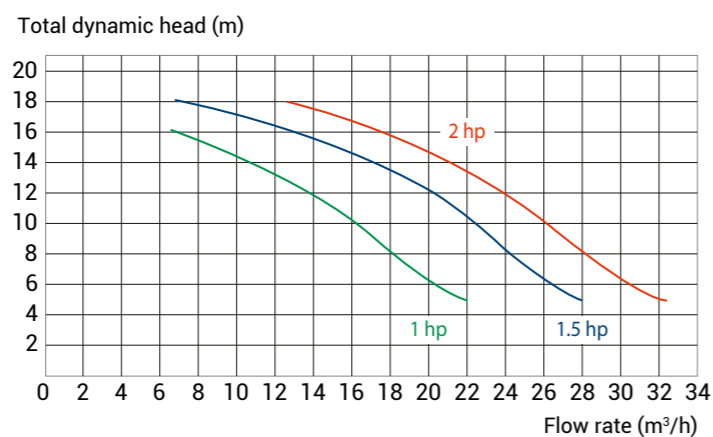
Centrifugal pumps for up stream equipment, spas

- The three-phase motors are compliant with the IE3 standard
- Turbine made of reinforced Noryl with 303 stainless steel insert
- This pump is suitable for salt water and sea water
- TEFC motor IP55, class F insulation
- Possibility of connecting the pump by means of diameter 50 or 63 mm socket unions
- Mechanical seal AISI 316
- Usages: up stream equipment, spas

- ▶ 1 hp to 2 hp
- ▶ 2 850 rpm
- ▶ Pump material: thermoplastic pumps



© HCP0900 Curves



Reference	P2 (HP)	P1 (kW)	Flow rate* (m³/h)	Inlet / Outlet (mm)	Weight (kg)	Motor	Amperage (A)	Dim A (mm)	Qty. per pallet (uds)	Efficiency (1)
HCP09101E	1	1	15.9	50	12	Single-phase 230 V	5	412	24	IE1 ✓
HCP09151E	1.5	1.6	22.4	63	14.5	Single-phase 230 V	7.5	442	24	IE1 ✓
HCP09201E	2	1.92	26.2	63	15.5	Single-phase 230 V	9	442	24	IE1 ✓
HCP09103E	1	1	15.9	50	12	Three-phase 230/400 V	3.5/2.1	412	30	IE3 ✓
HCP09153E	1.5	1.6	22.4	63	14.5	Three-phase 230/400 V	3.6/2.2	442	24	IE3 ✓
HCP09203E	2	1.92	26.2	63	15	Three-phase 230/400 V	5/2.9	442	24	IE3 ✓

* under 10 m water column pressure
Single-phase 230 V references with IE1 motor will be available until end of stock. Later they will be replaced by the corresponding 230 V single-phase models with IE2 motor.

VARIABLE FREQUENCY DRIVE

HPVS40T095C - HPVS40T140C - HPVS40T180C - HPVS40T240C



YEARS OF WARRANTY

Four models of variable frequency drive to fit HAYWARD® Commercial pumps

- Compatible with HCA pumps HCP1000, HCP1100, HCP3600, HCP3800, HCP4000, HCP4200, HCP5000, HCP5200, HCP7200
- For three-phase pumps up to 15 HP
- Maximum output current 24 A
- IP20
- To be panel mounted



- ▶ For three-phase pumps up to 15 HP
- ▶ Compatible with HCA pumps*



A
VARIABLE
SPEED
PUMP!

Reference	HP / A	Description
HPVS40T095C	Up to 5.5 HP (9.5 A)	Variable frequency drive - 9,5A - 400V - three phase - IP20
HPVS40T140C	Up to 7.5 HP (14 A)	Variable frequency drive - 14A - 400V - three phase - IP20
HPVS40T180C	Up to 10 HP (18 A)	Variable frequency drive - 18A - 400V - three phase - IP20
HPVS40T240C	Up to 15 HP (24 A)	Variable frequency drive - 24A - 400V - three phase - IP20

*Compatible with HCA pumps HCP1000, HCP1100, HCP1500, HCP1700, HCP3600, HCP3800, HCP4000, HCP4200, HCP5000, HCP5200, HCP7200



HPVS40T095C



HPVS40T140C - HPVS40T180C - HPVS40T240C

VARIABLE FREQUENCY DRIVE

HPVS40T095C - HPVS40T140C - HPVS40T180C - HPVS40T240C



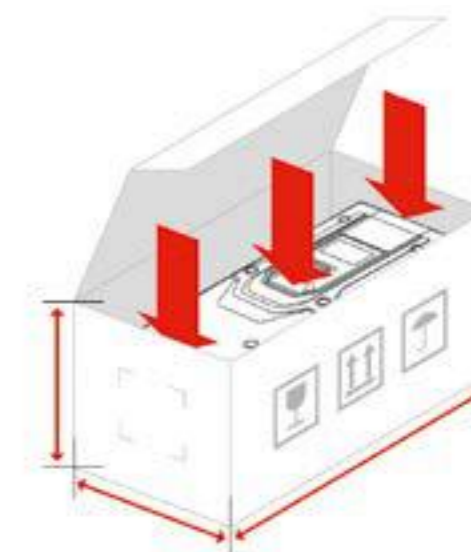
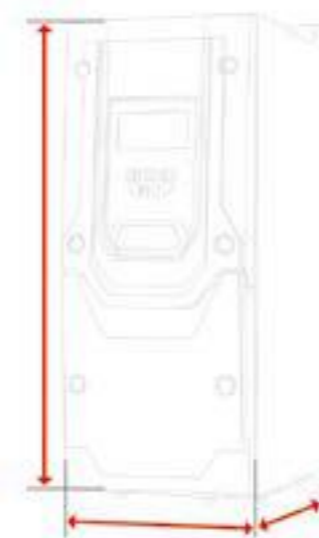
YEARS OF WARRANTY

Technical informations: input, output, cable and factory build operations

Reference	Input ratings				Output ratings			Cable Information			Factory Build Options				
	Supply Voltage	Input Phases	Supply Current Continuous	Supply Fuse or MCB (Type B)	Motor Output Rating	Output Voltage	Output Current	Max Supply Cable Size	Max Motor Cable Size	Max Motor Cable Length	EMC Filter	Brake Transistor	Enclosure	Display	PCB Coating
	V		A	A	kW / HP		A	mm ²	mm ²	m			IP		
HPVS40T095C	380-480	3	11.5	16	4 kW 5.5 HP	0 Supply Voltage	9.5	8	8	100	Internal EMC Filter	Internal Brake Transistor	20	-	-
HPVS40T140C	380-480 V	3	17.2	25	5.5 kW 7.5 HP	0 Supply Voltage	14	8	8	100	Internal EMC Filter	Internal Brake Transistor	20	Led	-
HPVS40T180C	380-480 V	3	21.2	32	7.5 kW 10 HP	0 Supply Voltage	18	8	8	100	Internal EMC Filter	Internal Brake Transistor	20	-	-
HPVS40T240C	380-480 V	3	27.5	40	11 kW 15 HP	0 Supply Voltage	24	8	8	100	Internal EMC Filter	Internal Brake Transistor	20	Led	-

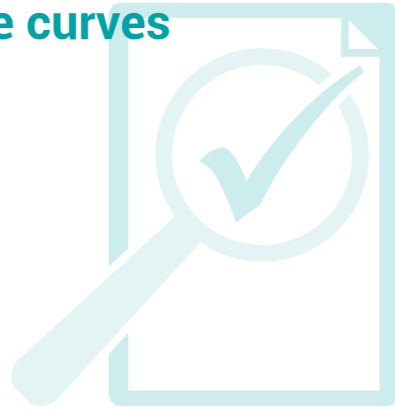
Dimensions and packaging informations

Reference	Dimensions Product						Dimensions Packaging			
	Size	Height	Width	Depth	Weight	Fixings	Height	Width	Depth	Weight
		mm	mm	mm	kg		mm	mm	mm	kg
HPVS40T095C	2	221	110	150	1.7	4 x M5	234	144	260	1.93
HPVS40T140C	3	261	131	175	3.2	4 x M5	254	162	315	3.5
HPVS40T180C	3	261	131	175	3.2	4 x M5	254	162	315	3.5
HPVS40T240C	3	261	131	175	3.2	4 x M5	254	162	315	3.5

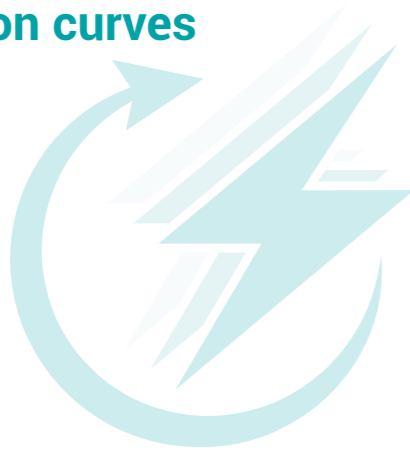


HCP4000 PUMP: Performance at different frequencies

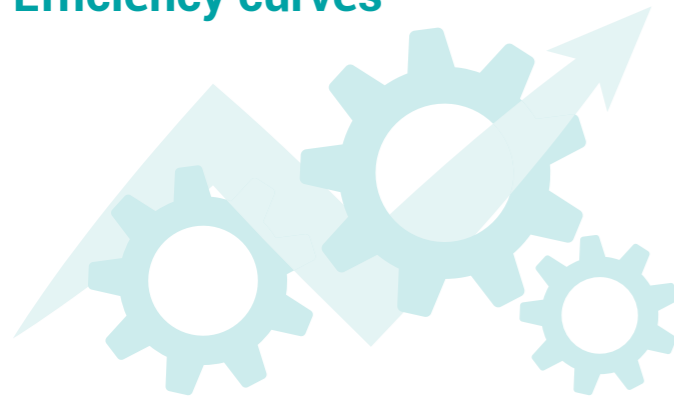
Performance curves



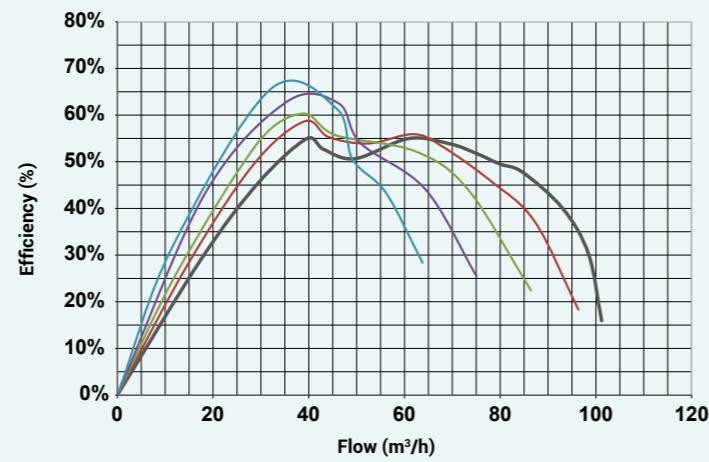
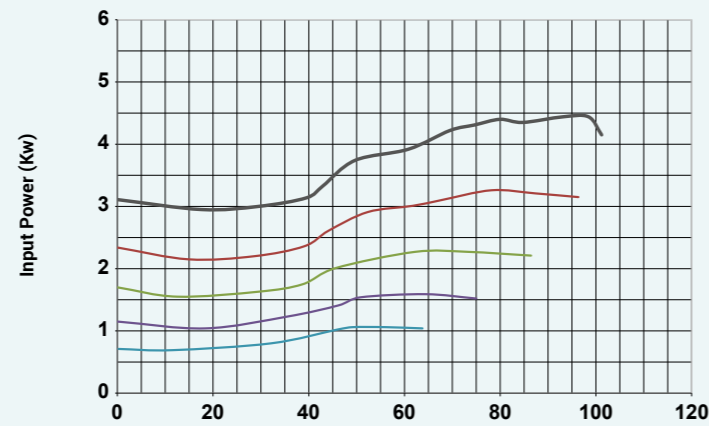
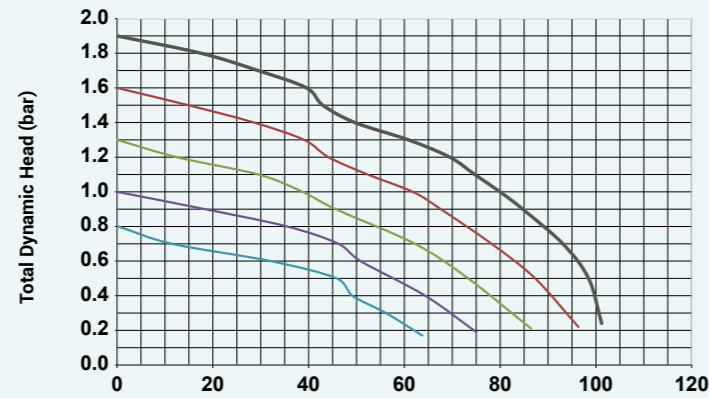
Consumption curves



Efficiency curves

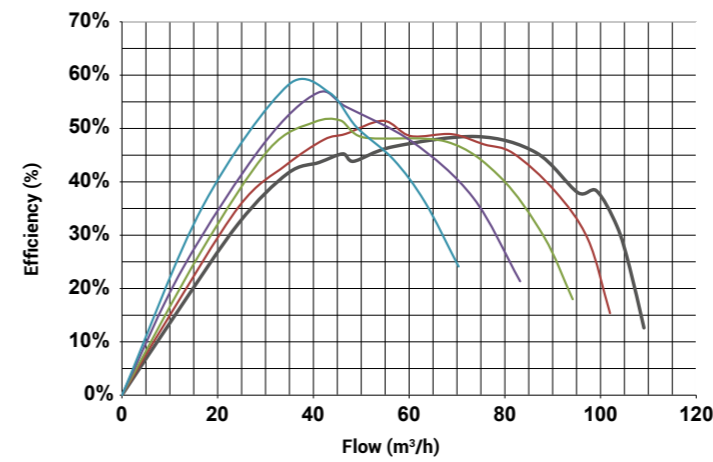
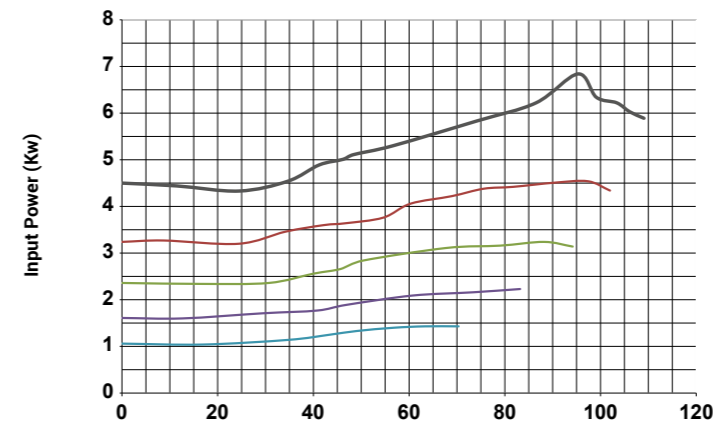
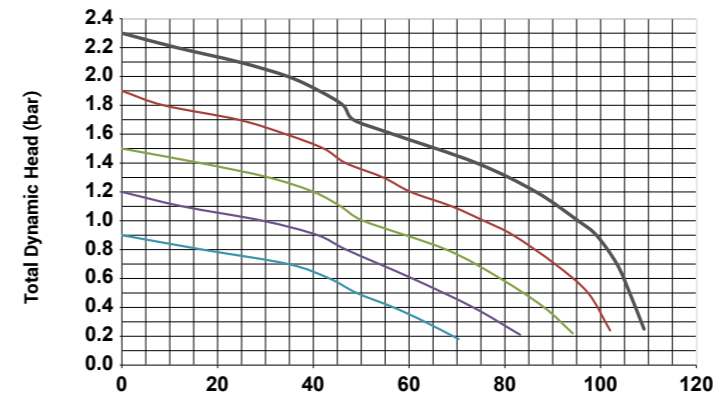


5.5 HP



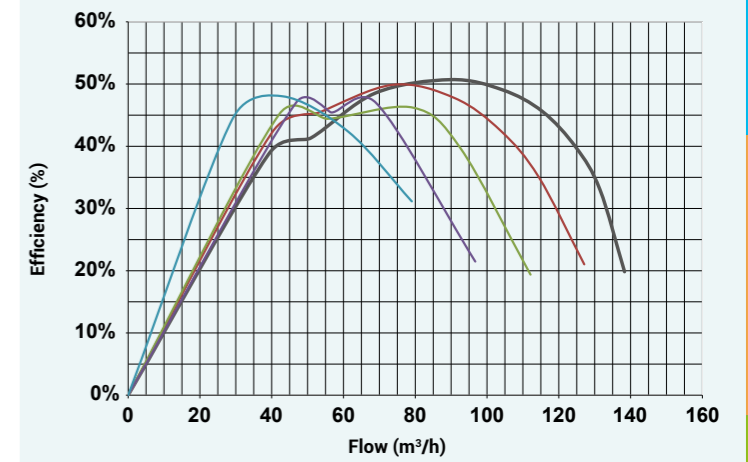
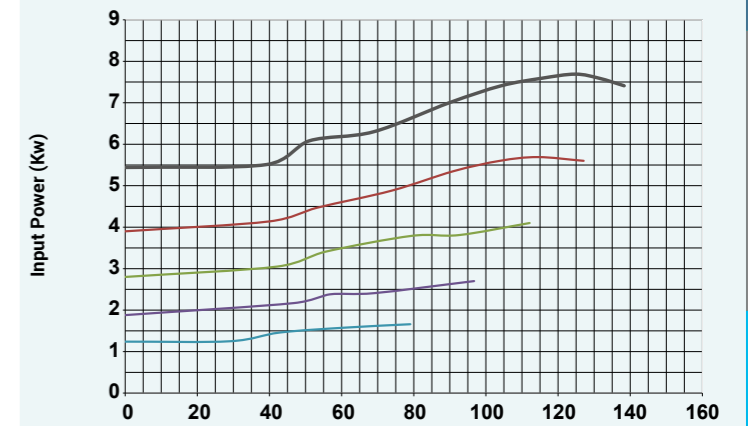
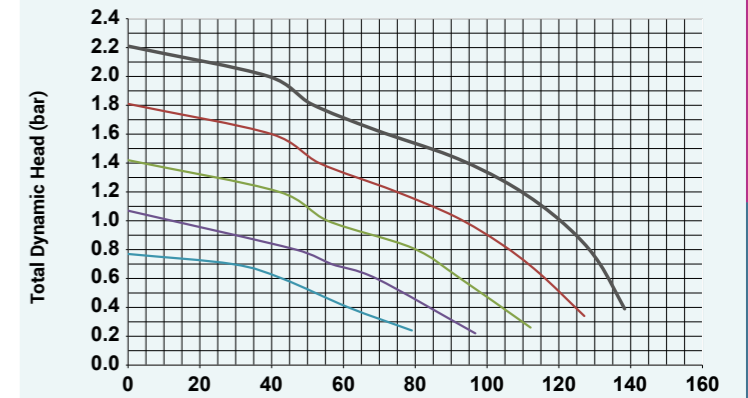
— 50 HZ — 45 Hz — 40Hz — 35Hz — 30Hz

6.5 HP



— 50 HZ — 45 Hz — 40Hz — 35Hz — 30Hz

7.5 HP



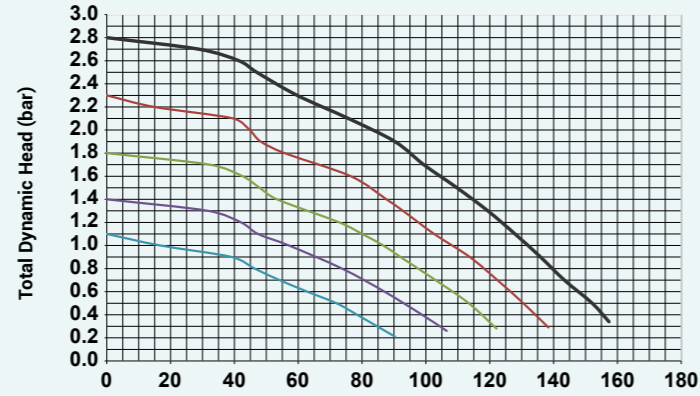
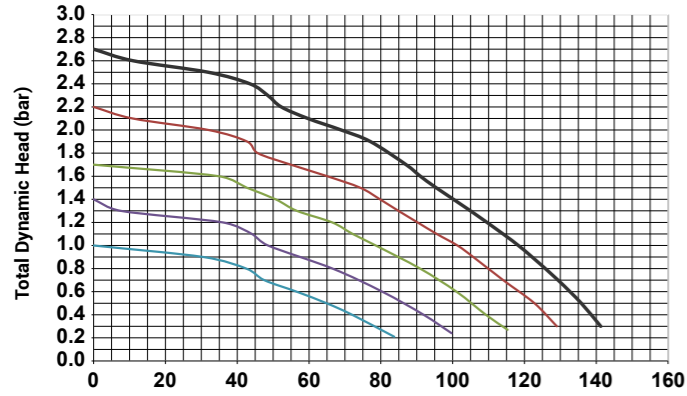
— 50 HZ — 45 Hz — 40Hz — 35Hz — 30Hz

HCP4000 PUMP: Performance at different frequencies

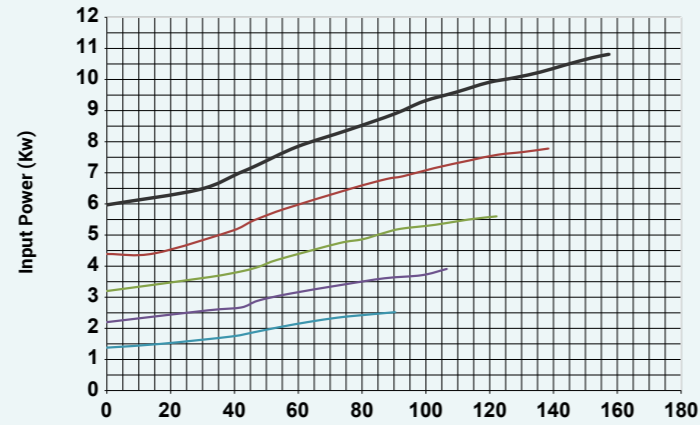
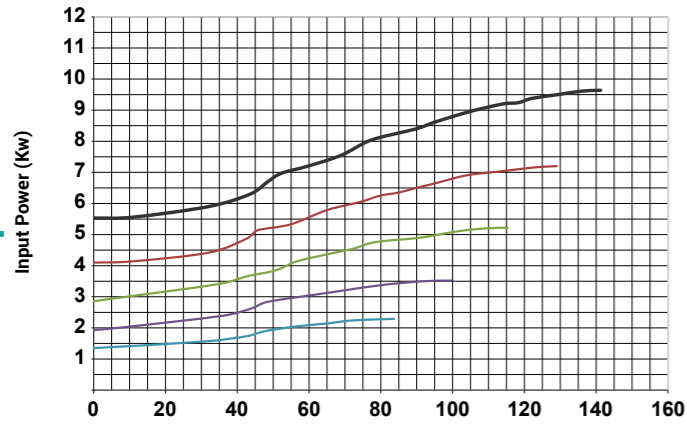
10 HP

12.5 HP

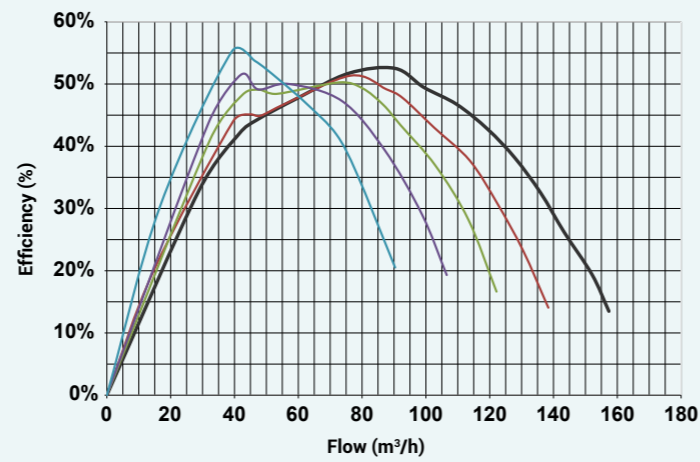
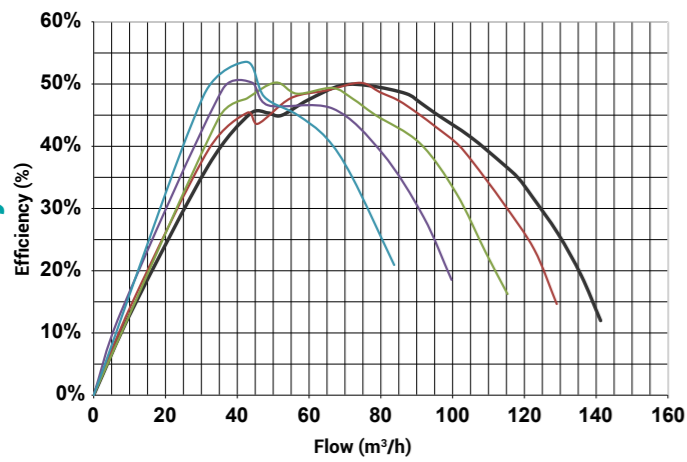
Performance curves



Consumption curves



Efficiency curves



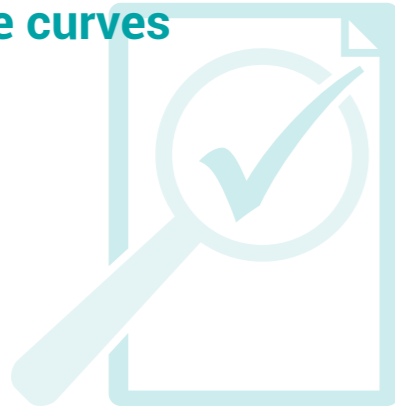
— 50 HZ — 45 Hz — 40Hz — 35Hz — 30Hz

— 50 HZ — 45 Hz — 40Hz — 35Hz — 30Hz

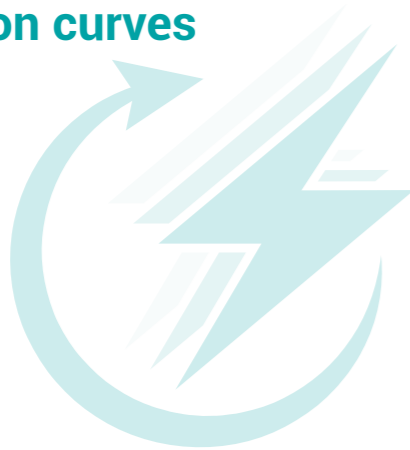


HCP3800 PUMP: Performance at different frequencies

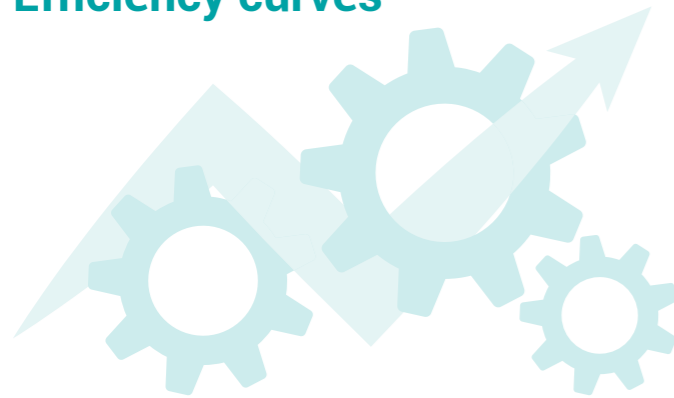
Performance curves



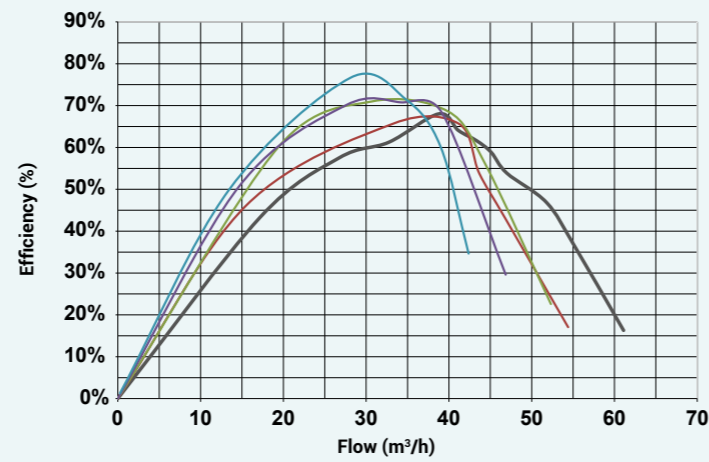
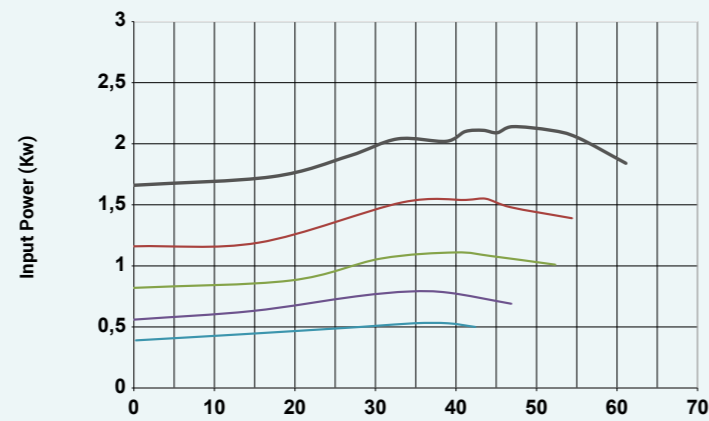
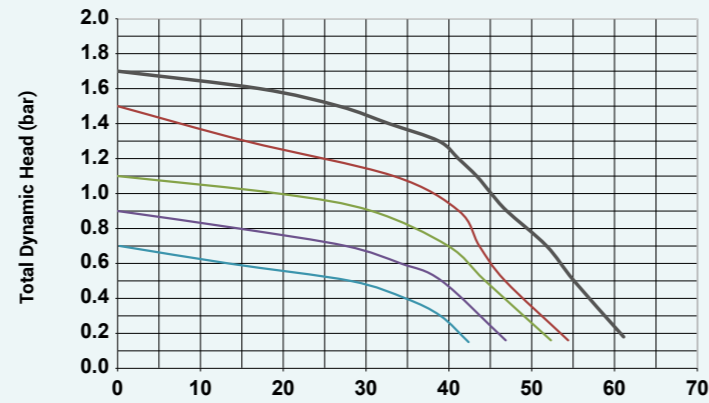
Consumption curves



Efficiency curves

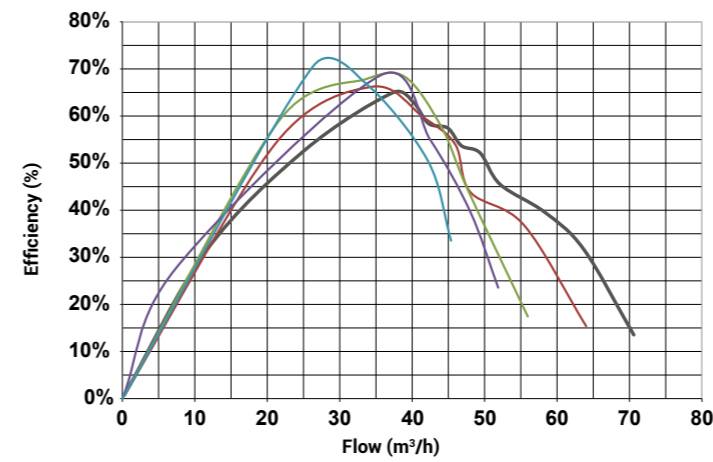
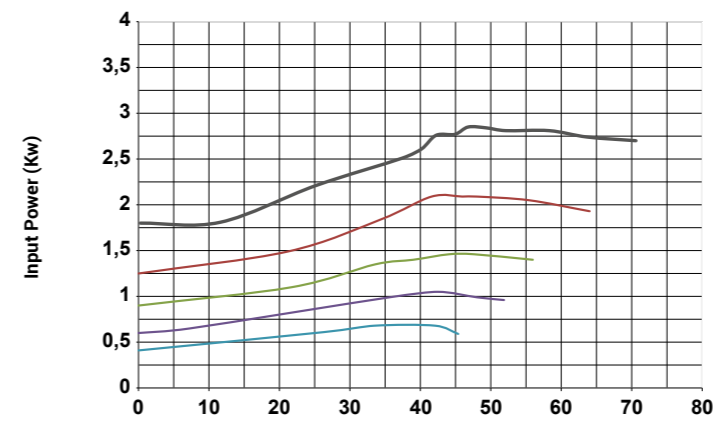
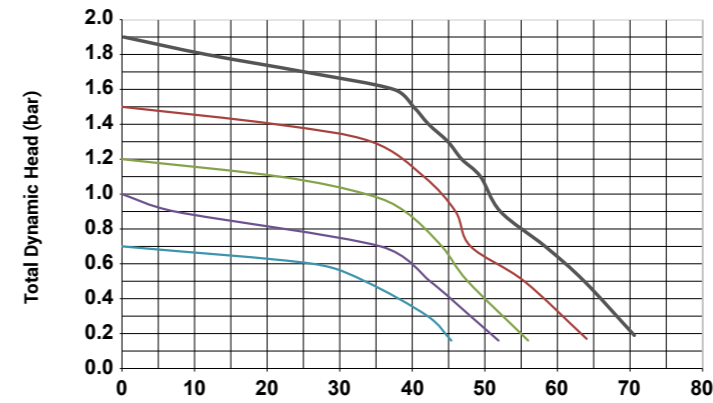


2.5 HP



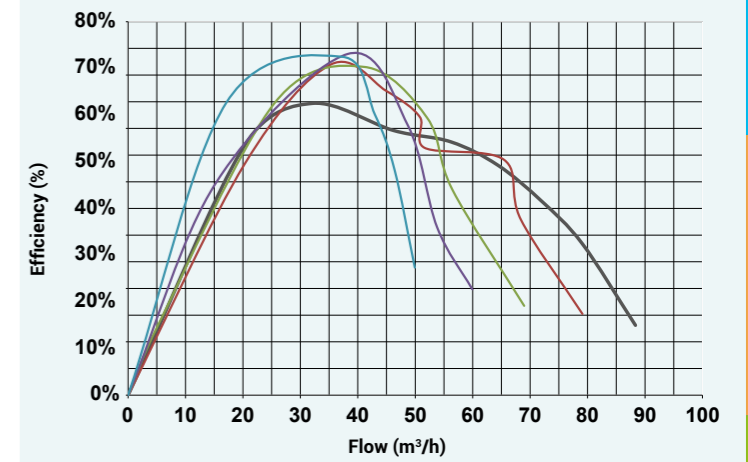
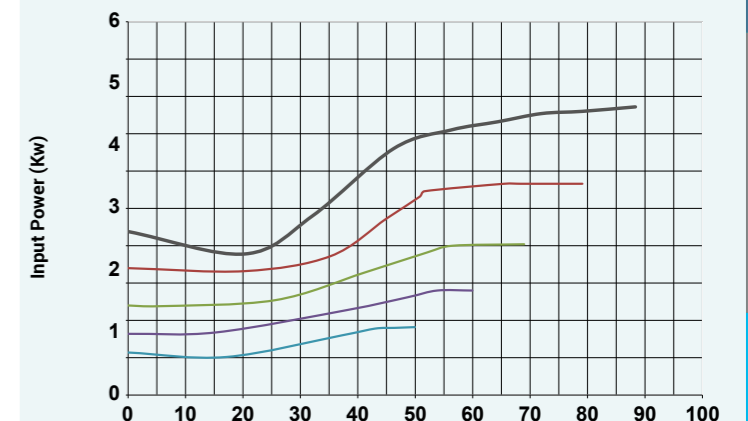
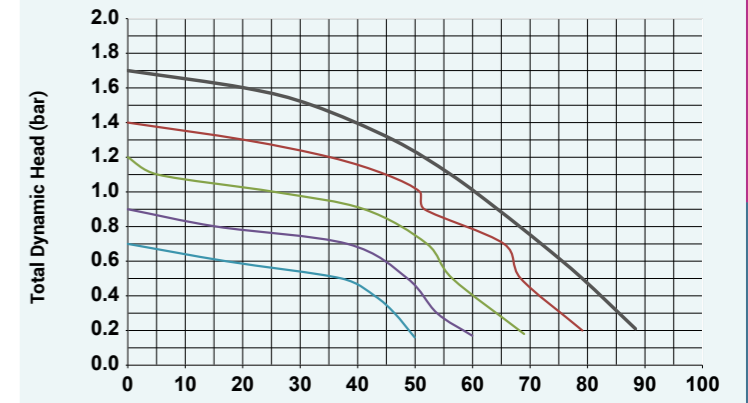
— 50 HZ — 45 Hz — 40Hz — 35Hz — 30Hz

3 HP



— 50 HZ — 45 Hz — 40Hz — 35Hz — 30Hz

3.5 HP

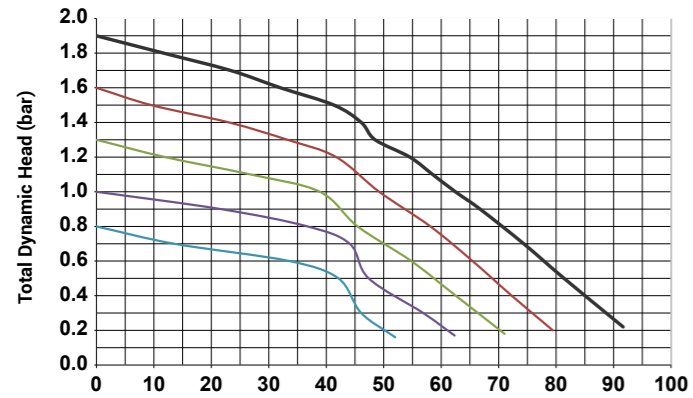


— 50 HZ — 45 Hz — 40Hz — 35Hz — 30Hz

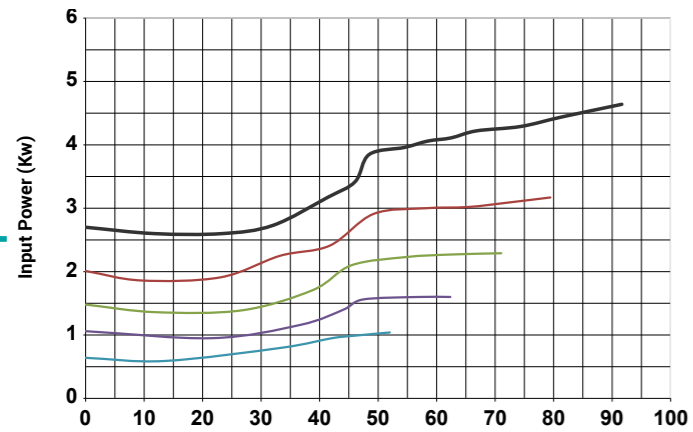
HCP3800 PUMP: Performance at different frequencies

4.5 HP

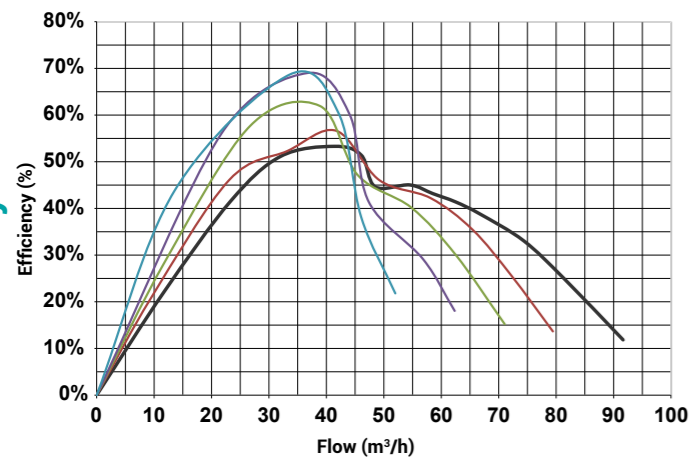
Performance curves



Consumption curves

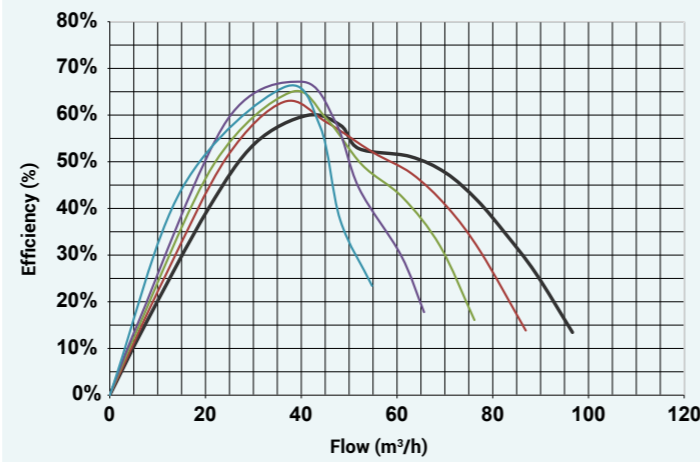
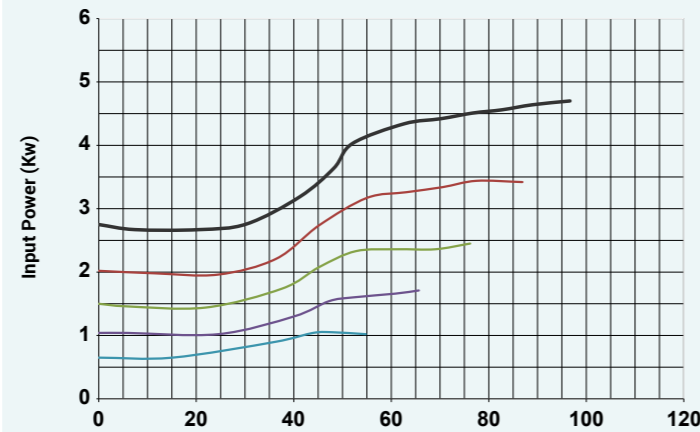
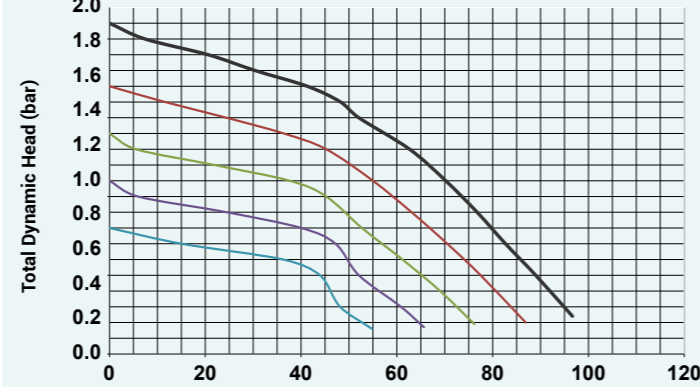


Efficiency curves



— 50 HZ — 45 Hz — 40Hz — 35Hz — 30Hz

5.5 HP



— 50 HZ — 45 Hz — 40Hz — 35Hz — 30Hz



PREFILTERS

Cast Iron prefilters

2

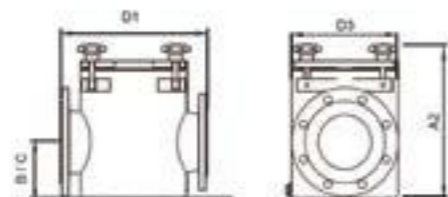
YEARS OF WARRANTY

Broad range of cast iron prefilters with stainless steel basket



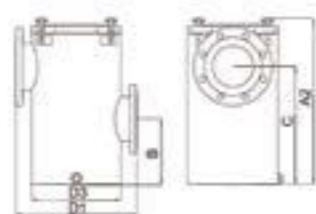
In-line prefilter
Used in pumps series HCP5000, HCP5200 and HCP7200

- The in-line prefilters facilitate their installation having both the inlet and the outlet connections at the same height. These prefilters have an electrolytic coating for a high resistance to corrosion.



High Capacity prefilter
Used in pumps series HCP5200, HCP5200, and HCP7200

- The high capacity prefilters are the solution for the high flow rate pumps. These prefilters also have an electrolytic coating for a high resistance to corrosion.



Coupling kit

- We strongly recommend to order the coupling kits together with the prefilters, in order to facilitate assembly. The coupling kit includes a rubber flat gasket with the stainless steel nuts, screws and washers required for correct assembly.

Model	Prefilter	Capacity (liters)	Coupling kits		Flanges		Dimensions					Weight (kg)
			Inlet flange	Outlet flange	Inlet DN	Outlet DN	A2	B	C	D1	D3	
IN-LINE PREFILTER	13530600002	11	1KIT1000000	1KIT0650000	100	65	320	120	120	300	210	23
	13531000002	11	1KIT1000000	1KIT1000000	100	100	320	120	120	300	210	24
	13541000002	13.5	1KIT1250000	1KIT1000000	125	100	370	132	132	345	250	35
	13541200002	13.5	1KIT1250000	1KIT1250000	125	125	370	132	132	345	250	36
HIGH CAPACITY PREFILTER	13551200002	42	1KIT1500000	1KIT1250000	150	125	610	240	430	445	330	76
	13551500002	42	1KIT1500000	1KIT1500000	150	150	610	240	430	445	330	77

PREFILTERS

Thermoplastic prefilters

2

YEARS OF WARRANTY



PK MODEL

PK Prefilter Series

- PK Prefilter series, made in thermoplastic injection, lid in transparent polycarbonate. The closing of the lid is made by four hinged cover-screws with stainless steel studs. Basket in white colour injected plastic material.
- Included union in the inlet, flange in the outlet and drain plug
- PK Prefilter 8 liters is used in pumps series HCP3800
- Pk Prefilter 14 liters is used in pumps series HCP4000 and HCP4200



PPP11



PPP33

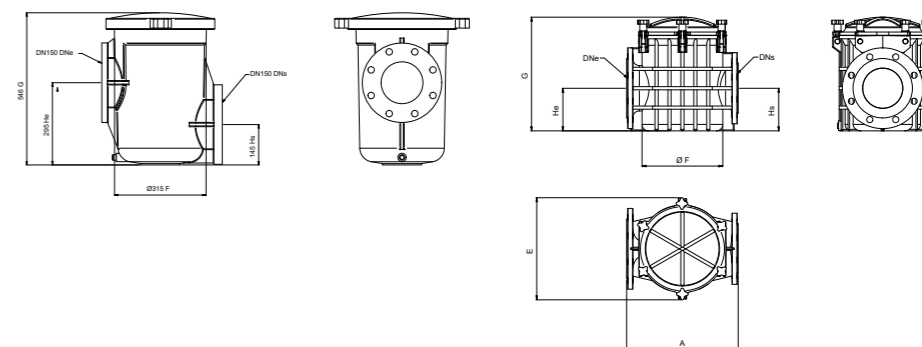
PPP Prefilter series **NEW**

- PPP Prefilter series are made in polypropylene with 30% GF and have transparent polycarbonate cover. Test pressure 2 bar.
- PPP11: Basket in stainless steel AISI 304 and closing by six coverscrews. Volume 11 liters. Flowrate up to 180 m³/h
- PPP33 : Basket in polypropylene and closing without screws by a polypropylene ring. Volume 33 liters. Flowrate up to 245 m³/h.

Model	Reference	Capacity (liters)	Inlet (mm)	Outlet (mm)	Weight (kg)	Volume (m ³)
PK8	200108090003	8	90*	110	5	0,041
PK14	200114110000	14	110*	125	7	0,057
PPP11	202011110001	11	110	110	9.2	
PPP33	202033160001	33	160	160	36	

* Recommended to be used with coupling kit 1KIT1250000

Model	Reference	Dimensions				
		A	E	F	G	H1
PPP11	202011110001	345	275	250	320	120
PPP33	202033160001	427	483	315	546	146



ACCESSORIES

Commercial pumps

2

YEARS OF WARRANTY



Flanged rubber expansion joint

Expansion joint made from elastic material allowing compensation of dilatations and small misalignments in the installation. It can also compensate the vibrations and noise in the pipeline produced by the pump. The loose flanges made of galvanized carbon steel have installation bores in compliance with standards DIN 2502 (PN16) up to diameter DN150, and DIN 2576 (PN10) from DN200 to DN300. EPDM rubber bellows seal the connection. The use of the flanged rubber expansion joints is indicated in particular for the installation of the cast iron pumps to the pipeline.



Union kits

The union kits are the couplings used to connect the pumps with threaded connections to the pipeline. These union kits are composed by an O-Ring, who ensures the sealing, a coupling sleeve that fits with the pipe of the installation, and a nut that tightens the assembly. As standard, the 50Hz pumps are supplied with DIN couplings for Ø90mm and Ø110mm, according to the model of the pump. Optionally, the coupling kits also can be provided according to ANSI sizes.



Lineal check valves with transparent sight glass

These flap valves are typically installed at the outlet of the pumps to avoid the water hammers that may occur in the pump stops. This check valve includes a sight glass body made of transparent plastic that allows viewing the inside of the pipe, as well as the state of the flap valve.

ITEM	DESCRIPTION
905603010050	Flanged rubber expansion joint for DN50
905603010065	Flanged rubber expansion joint for DN65
905603010080	Flanged rubber expansion joint for DN80
905603010100	Flanged rubber expansion joint for DN100
905603010125	Flanged rubber expansion joint for DN125
905603010150	Flanged rubber expansion joint for DN150
905603010200	Flanged rubber expansion joint for DN200
905603010250	Flanged rubber expansion joint for DN250
905603010300	Flanged rubber expansion joint for DN300

ITEM	REFERENCE ACCORDING TO ANSI STANDARD
500100150001	RPUM2425.01R union kit 3" ANSI for HCP3800 & HCP1000
500100150003	RPUM2425.12R union kit 4" ANSI for HCP4000, HCP4200 & HCP1100

ITEM	DESCRIPTION
HCVRL63	Lineal check valve Netvitc D. 63 mm Sight Glass 63 mm
HCVRL75	Lineal check valve Netvitc D. 75 mm Sight Glass 63 mm
HCVRL90	Lineal check valve Netvitc D. 90 mm Sight Glass 125 mm
HCVRL110	Lineal check valve Netvitc D. 110 mm Sight Glass 125 mm
HCVRL125	Lineal check valve Netvitc D. 125 mm Sight Glass 125 mm
HCVRL140	Lineal check valve Netvitc D. 140 mm Sight Glass 160 mm
HCVRL160	Lineal check valve Netvitc D. 160 mm Sight Glass 160 mm
HCVRL200	Lineal check valve Netvitc D. 200 mm Sight Glass 200 mm

BLOWERS

Single stage and two stage

2

YEARS OF WARRANTY



MADE IN EU

Single stage. Specially indicated for backwashing processes with air



Two stages. Specially indicated for SPA & Wellness applications

Blowers for constant use:

- Highly robust and easy to use
- Operates as intake or exhaust, suitable for use in conditions up to 40 °C
- Simple and rapid maintenance
- Asynchronous, single-phase or three-phase motors, insulation class F, 50 Hz, IP54
- A PTC overheating protection is included within the motors
- For 60 Hz, please contact us

	Code	Reference	P1 (kW)	Voltage (V)	Amperage (A)	Connection	Max Flow rate (mbar)	Max pressure (mbar)	Noise level (*) (dBa)	Weight (kg)
BLOWERS SINGLE STAGE	146110008001	SKH 80 M	0.4	230	2.7	1 1/4"G	80	130	53	11
	146110008003	SKH 80 T1	0.4	230/400	2.6 / 1.5	1 1/4"G	80	130	53	10
	146110014003	SKH 140 T1	0.75	230/400	3.7 / 2.1	1 1/2"G	144	190	63	15
	146110014401	SKH 144 M	0.75	230	5.5	1 1/2"G	144	190	63	16
	146110025001	SKH 250 M	1.3	230	7.3	2"G	210	170	64	22
	146110025003	SKH 250 T1	1.3	230/400	5.7 / 3.3	2"G	216	180	70	22
	146110025101	SKH 251 M	1.5	230	9	2"G	210	190	64	24
	146110025103	SKH 251 T1	1.75	230/400	6.7 / 3.9	2"G	216	250	70	23
	146110030003	SKH 300 T1	2.2	230/400	9.5 / 5.5	2"G	312	220	72	31
	146110030103	SKH 301 T1	3.4	230/400	12 / 6.9	2"G	312	280	72	43
BLOWERS TWO STAGE	146110047503	SKH 475 T1	5.5	230/400	21 / 12	2 1/2"G	552	300	74	77
	146110055003	SKS 550 T2	7.5	400/700	15.6 / 10	2 1/2"G	552	395	74	88
	146110100003	SKS 1000 T2	13	400/700	27 / 15.6	4"G	1134	295	76	112
	146120080201	SKH 80 2V M	0.7	230	4.5	1 1/4"G	88	240	55	15
	146120080203	SKH 80 2V T1	0.7	230/400	3.8 / 2.2	1 1/4"G	88	240	55	17
	146120090203	SKH 90 2V T1	1.5	230/400	7.5 / 4.3	1 1/4"G	87	450	61	24
	146120156203	SKS 156 2V T1	1.75	230/400	6.7 / 3.9	1 1/2"G	156	320	66	25
	146120157203	SKS 157 2V T1	2.2	230/400	7.8 / 4.5	1 1/2"G	156	390	66	28
	146120222203	SKS 222 2V T1	3.4	230/400	11.8 / 6.8	2"G	222	410	74	40
	146120400203	SKH 400 2V T1	4	230/400	14.3 / 8.3	2"G	312	380	75	55
146120475203	SKS 475 2V T1	5.5	230/400	21 / 12	2"G	312	530	75	75	
146120570203	SKH 570 2V T2	13	400/700	27 / 15.6	2 1/2"G	576	600	76	146	

P1: Absorbed power (*) Noise level measured according to standard ISO 3744 (1 m with hoses connected)

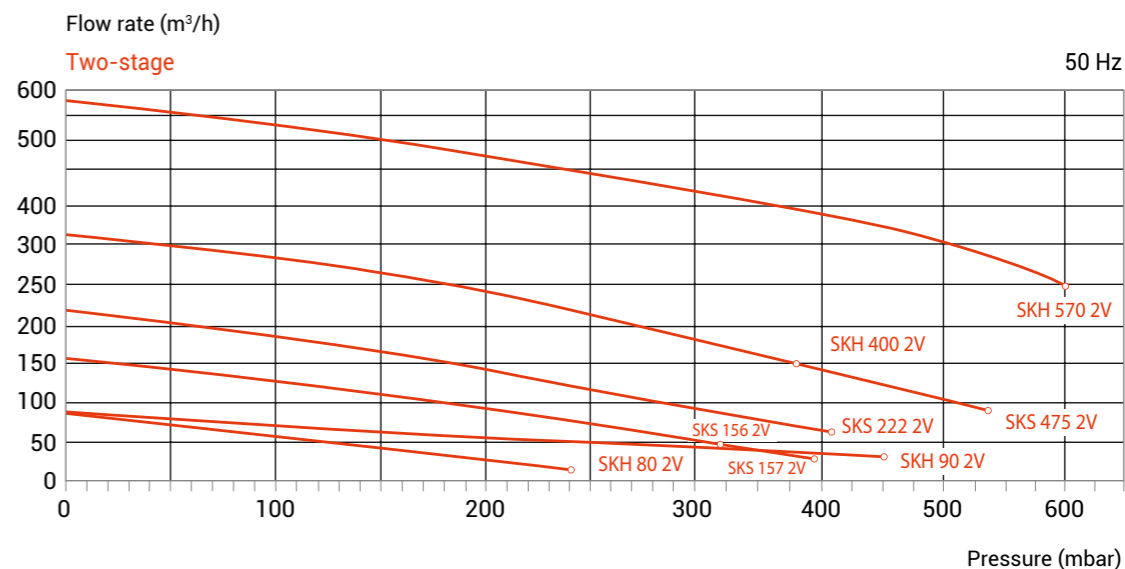
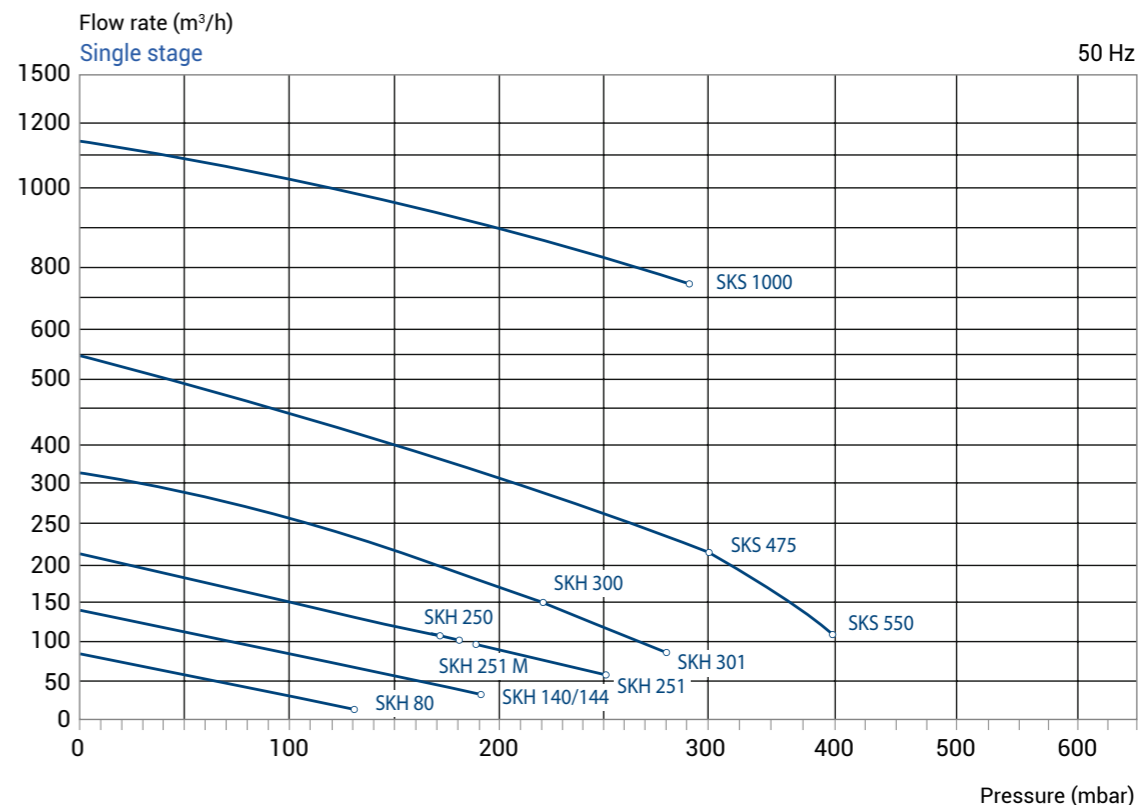
BLOWERS

Single stage and two stage

2

YEARS OF WARRANTY

Curves



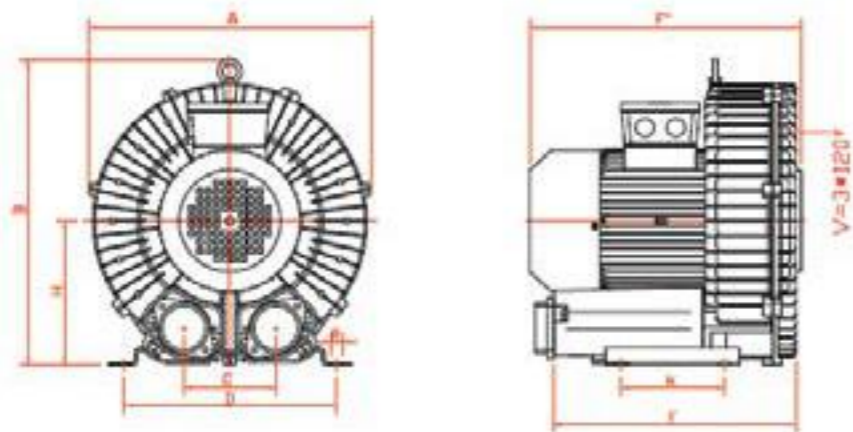
BLOWERS

Single stage and two stage

2

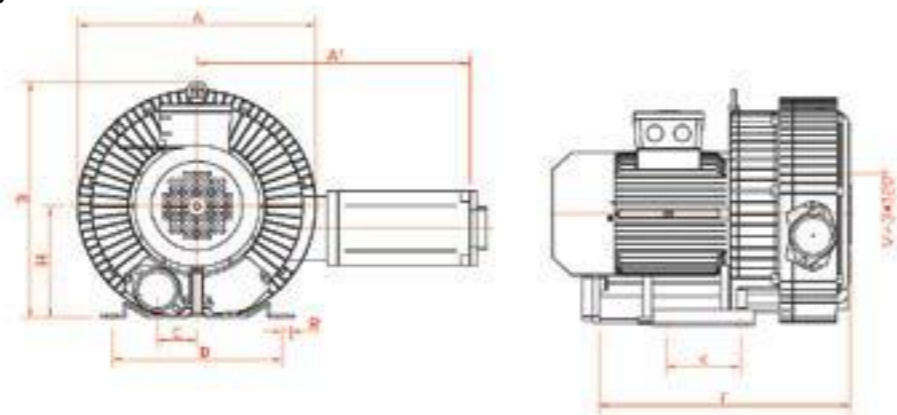
YEARS OF WARRANTY

Dimensions single stage blowers



Code	Reference	A	A'	B	C	D	F	H	K	R
146110008001	SKH 80 M	245	249	92	205	226	-	130	83	Ø 10
146110008003	SKH 80 T1	245	249	92	205	226	-	130	83	Ø 10
146110014003	SKH 140 T1	284	300	115	225	238	-	152	95	Ø 12
146110014401	SKH 144 M	284	300	115	225	238	-	152	95	Ø 12
146110025001	SKH 250 M	332	338	122	260	300	-	176	115	Ø 14
146110025003	SKH 250 T1	332	338	122	260	300	-	176	115	Ø 14
146110025101	SKH 251 M	332	338	122	260	300	-	176	115	Ø 14
146110025103	SKH 251 T1	332	338	122	260	300	-	176	115	Ø 14
146110030003	SKH 300 T1	383	415	125	290	338	-	196	140	Ø 15
146110030103	SKH 301 T1	383	415	125	290	338	-	196	140	Ø 15
146110047503	SKH 475 T1	466	566	147	365	461.5	-	270	280	16
146110055003	SKS 550 T2	466	566	147	365	461.5	-	270	280	16
146110100003	SKS 1000 T2	560	630	210	360	663	710	305	600	16

Dimensions two-stage blowers



Code	Reference	A	A'	B	C	D	F	H	K	R
146120080201	SKH 80 2V M	284	303	272	46	205	293	130	83	Ø10
146120080203	SKH 80 2V T1	284	303	272	46	205	293	130	83	Ø10
146120090203	SKH 90 2V T1	363	-	377	125	315	390	197	130	Ø14
146120156203	SKS 156 2V T1	321	315.5	312.5	57.5	225	314	152	95	Ø12
146120157203	SKS 157 2V T1	321	315.5	312.5	57.5	225	314	152	95	Ø12
146120222203	SKS 222 2V T1	364	417.5	371	61	260	385.5	156.5	115	Ø14
146120400203	SKH 400 2V T1	424	427	415	62.5	290	434	156.5	140	Ø15
146120475203	SKS 475 2V T1	424	427	415	62.5	290	434	163	140	Ø15
146120570203	SKH 570 2V T2	486	372	556	144	365	700	313	280	16

BLOWERS

Single stage and two stage

2

YEARS OF WARRANTY

Accessories for the blower pumps



Air filter kit



- Designed for environments where the dust and other particles in the air might cause problems either to the blower pumps or to the installation.
- Simple and easy to install, with quick lock cover, allows a rapid cleaning and maintenance of the cartridge filter.
- It uses standard cartridges with a large filtration surface.
- The kit includes the filter and the appropriate accessories and components for connecting the blower.

Reference	Max.Flow rate (m³/h)	Connection	Weight (kg)
114112AH	90	1-1/4"	0.7
112112AH	170	1-1/2"	0.9
200200AH	300	2"	1.5
212212AH	480	2-1/2"	2.2
400400AH	1800	4"	5.5



SUMMARY COMMERCIAL PUMPS

Cast Iron Pumps



Reference	Nominal power P2 (hp)	Tension (V)	Rotation speed (rpm)	Flow rate at 12 m.w.c. (m³/h)	Connection	Inlet	Outlet	Prefilter	Pump material	Impeller material	Efficiency (1)
Serie - HCP7200											
HCP72753E7	7.5	400/700	1 450	41 (+)	Flange	DN 80	DN 50	✓	CAST IRON	BRONZE	IE3 ✓
HCP72103E7	10	400/700	1 450	74 (+)	Flange	DN 80	DN 65	✓	CAST IRON	BRONZE	IE3 ✓
HCP72153E7	15	400/700	1 450	104 (+)	Flange	DN 80	DN 65	✓	CAST IRON	BRONZE	IE3 ✓
HCP82203E7	20	400/700	1 450	173 (+)	Flange	DN 125	DN 100	✓	CAST IRON	BRONZE	IE3 ✓
HCP72253E7	25	400/700	1 450	186 (**)	Flange	DN 150	DN 125	✓	CAST IRON	BRONZE	IE3 ✓
HCP72303E7	30	400/700	1 450	244 (**)	Flange	DN 150	DN 125	✓	CAST IRON	BRONZE	IE3 ✓
HCP72403E7	40	400/700	1 450	325 (**)	Flange	DN 150	DN 125	✓	CAST IRON	BRONZE	IE3 ✓
Serie - HCP5200											
HCP5223E24	2	230/400	1 450	24	Flange	DN 100	DN 50	✓	CAST IRON	BRONZE	IE3 ✓
HCP5233E24	3	230/400	1 450	36	Flange	DN 100	DN 50	✓	CAST IRON	BRONZE	IE3 ✓
HCP5243E24	4	230/400	1 450	46	Flange	DN 100	DN 80	✓	CAST IRON	BRONZE	IE3 ✓
HCP52553E7	5.5	400/700	1 450	70	Flange	DN 100	DN 80	✓	CAST IRON	BRONZE	IE3 ✓
HCP52753E7	7.5	400/700	1 450	97	Flange	DN 125	DN 100	✓	CAST IRON	BRONZE	IE3 ✓
HCP52103E7	10	400/700	1 450	117	Flange	DN 125	DN 100	✓	CAST IRON	BRONZE	IE3 ✓
HCP521253E7	12.5	400/700	1 450	154	Flange	DN 150	DN 100	✓	CAST IRON	BRONZE	IE3 ✓
HCP52153E7	15	400/700	1 450	169	Flange	DN 150	DN 100	✓	CAST IRON	BRONZE	IE3 ✓
HCP62103E7	10	400/700	1 450	121	Flange	DN 150	DN 125	✓	CAST IRON	BRONZE	IE3 ✓
HCP621253E7	12.5	400/700	1 450	152	Flange	DN 150	DN 125	✓	CAST IRON	BRONZE	IE3 ✓
HCP62153E7	15	400/700	1 450	221	Flange	DN 150	DN 125	✓	CAST IRON	BRONZE	IE3 ✓
HCP52203E7	20	400/700	1 450	262	Flange	DN 250	DN 125	✓	CAST IRON	BRONZE	IE3 ✓
HCP52253E7	25	400/700	1 450	349	Flange	DN 250	DN 125	✓	CAST IRON	BRONZE	IE3 ✓
HCP52303E7	30	400/700	1 450	451	Flange	DN 300	DN 125	✓	CAST IRON	BRONZE	IE3 ✓
HCP52403E7	40	400/700	1 450	521	Flange	DN 300	DN 125	✓	CAST IRON	BRONZE	IE3 ✓
Serie - HCP5000											
HCP5023E24	2	230/400	2 900	31	Flange	DN 80	3"	✓	CAST IRON	BRASS	IE3 ✓
HCP5033E24	3	230/400	2 900	38	Flange	DN 80	3"	✓	CAST IRON	BRASS	IE3 ✓
HCP5043E24	4	230/400	2 900	70	Flange	DN 100	DN 100	✓	CAST IRON	BRONZE	IE3 ✓
HCP50553E24	5.5	230/400	2 900	76	Flange	DN 100	DN 100	✓	CAST IRON	BRONZE	IE3 ✓
HCP50553E7	5.5	400/700	2 900	79	Flange	DN 125	DN 100	✓	CAST IRON	BRONZE	IE3 ✓
HCP50753E7	7.5	400/700	2 900	106	Flange	DN 125	DN 100	✓	CAST IRON	BRONZE	IE3 ✓
HCP50103E7	10	400/700	2 900	140	Flange	DN 125	DN 100	✓	CAST IRON	BRONZE	IE3 ✓
HCP501253E7	12.5	400/700	2 900	136	Flange	DN 125	DN 100	✓	CAST IRON	BRONZE	IE3 ✓

(+) Flow rate at 20 m.w.c. • (**) Flow rate at 24 m.w.c. • Pumps with IE1 Efficiency motor not available to be sold in the EU countries
All pumps available with 60 Hz motors under request

SUMMARY COMMERCIAL PUMPS

Thermoplastic Pumps






Reference	Nominal power P2 (hp)	Tension (V)	Rotation speed (rpm)	Flow rate at 12 m.w.c. (m³/h)	Connection	Inlet	Outlet	Prefilter	Pump material	Impeller material	Efficiency (1)
Serie - HCP4200											
HCP42553E	5.5	400/700	1 450	68	Raccord	Ø110	Ø110	✓	GLASS FIBRE REINFORCED THERMOPLASTIC	NORYL	IE3 ✓
HCP42753E	7.5	400/700	1 450	90	Raccord	Ø110	Ø110	✓	GLASS FIBRE REINFORCED THERMOPLASTIC	NORYL	IE3 ✓
HCP421003E	10	400/700	1 450	104	Raccord	Ø110	Ø110	✓	GLASS FIBRE REINFORCED THERMOPLASTIC	NORYL	IE3 ✓
Serie - HCP4000											
HCP40553E	5.5	400/700	2 850	64	Raccord	Ø110	Ø110	✓	GLASS FIBRE REINFORCED THERMOPLASTIC	NORYL	IE3 ✓
HCP40653E	6.5	400/700	2 850	84,2	Raccord	Ø110	Ø110	✓	GLASS FIBRE REINFORCED THERMOPLASTIC	NORYL	IE3 ✓
HCP40753E	7.5	400/700	2 850	104,5	Raccord	Ø110	Ø110	✓	GLASS FIBRE REINFORCED THERMOPLASTIC	NORYL	IE3 ✓
HCP401003E	10	400/700	2 850	115,6	Raccord	Ø110	Ø110	✓	GLASS FIBRE REINFORCED THERMOPLASTIC	NORYL	IE3 ✓
HCP401253E	12.5	400/700	2 850	137	Raccord	Ø110	Ø110	✓	GLASS FIBRE REINFORCED THERMOPLASTIC	NORYL	IE3 ✓
Serie - HCP3800											
HCP38251E	2.5	230	2 850	35	Raccord	Ø90	Ø90	✓	GLASS FIBRE REINFORCED THERMOPLASTIC	NORYL	IE1 ✓
HCP38253E1	2.5	230/400	2 850	35	Raccord	Ø90	Ø90	✓	GLASS FIBRE REINFORCED THERMOPLASTIC	NORYL	IE1 ✓
HCP38253E	2.5	230/400	2 850	35	Raccord	Ø90	Ø90	✓	GLASS FIBRE REINFORCED THERMOPLASTIC	NORYL	IE3 ✓
HCP38301E	3	230	2 850	42	Raccord	Ø90	Ø90	✓	GLASS FIBRE REINFORCED THERMOPLASTIC	NORYL	IE1 ✓
HCP38303E1	3	230/400	2 850	42	Raccord	Ø90	Ø90	✓	GLASS FIBRE REINFORCED THERMOPLASTIC	NORYL	IE1 ✓
HCP38303E	3	230/400	2 850	42	Raccord	Ø90	Ø90	✓	GLASS FIBRE REINFORCED THERMOPLASTIC	NORYL	IE3 ✓
HCP38353E1	3.5	230/400	2 850	50	Raccord	Ø90	Ø90	✓	GLASS FIBRE REINFORCED THERMOPLASTIC	NORYL	IE1 ✓
HCP38353E	3.5	230/400	2 850	50	Raccord	Ø90	Ø90	✓	GLASS FIBRE REINFORCED THERMOPLASTIC	NORYL	IE3 ✓
HCP38453E1	4.5	230/400	2 850	57	Raccord	Ø90	Ø90	✓	GLASS FIBRE REINFORCED THERMOPLASTIC	NORYL	IE1 ✓
HCP38453E	4.5	230/400	2 850	57	Raccord	Ø90	Ø90	✓	GLASS FIBRE REINFORCED THERMOPLASTIC	NORYL	IE3 ✓
HCP38553E1	5.5	230/400	2 850	67	Raccord	Ø90	Ø90	✓	GLASS FIBRE REINFORCED THERMOPLASTIC	NORYL	IE1 ✓
HCP38553E17	5.5	400/700	2 850	67	Raccord	Ø90	Ø90	✓	GLASS FIBRE REINFORCED THERMOPLASTIC	NORYL	IE1 ✓
HCP38553E24	5.5	230/400	2 850	67	Raccord	Ø90	Ø90	✓	GLASS FIBRE REINFORCED THERMOPLASTIC	NORYL	IE3 ✓
HCP38553E7	5.5	400/700	2 850	67	Raccord	Ø90	Ø90	✓	GLASS FIBRE REINFORCED THERMOPLASTIC	NORYL	IE3 ✓
Serie - HCP3600											
HCP36251E	2.5	230	2 850	26	Raccord	Ø75	Ø75	✓	GLASS FIBRE REINFORCED THERMOPLASTIC	NORYL	IE1 ✓
HCP36253E1	2.5	230/400	2 850	26	Raccord	Ø75	Ø75	✓	GLASS FIBRE REINFORCED THERMOPLASTIC	NORYL	IE1 ✓
HCP36301E	3	230	2 850	34	Raccord	Ø75	Ø75	✓	GLASS FIBRE REINFORCED THERMOPLASTIC	NORYL	IE1 ✓
HCP36303E1	3	230/400	2 850	34	Raccord	Ø75	Ø75	✓	GLASS FIBRE REINFORCED THERMOPLASTIC	NORYL	IE1 ✓
HCP36353E1	3.5	230/400	2 850	43	Raccord	Ø75	Ø75	✓	GLASS FIBRE REINFORCED THERMOPLASTIC	NORYL	IE1 ✓
HCP36253E	2.5	230/400	2 850	26	Raccord	Ø75	Ø75	✓	GLASS FIBRE REINFORCED THERMOPLASTIC	NORYL	IE3 ✓
HCP36303E	3	230/400	2 850	34	Raccord	Ø75	Ø75	✓	GLASS FIBRE REINFORCED THERMOPLASTIC	NORYL	IE3 ✓
HCP36353E	3.5	230/400	2 850	43	Raccord	Ø75	Ø75	✓	GLASS FIBRE REINFORCED THERMOPLASTIC	NORYL	IE3 ✓

Pumps with IE1 Efficiency motor not available to be sold in the EU countries

SUMMARY COMMERCIAL PUMPS

Thermoplastic pumps without prefilter

Reference	Nominal power P2 (hp)	Tension (V)	Rotation speed (rpm)	Flow rate at 12 m.w.c. (m³/h)	Connection	Inlet	Outlet	Prefilter	Pump material	Impeller material	Efficiency (1)
HCP1100											
 HCP11553E24	5.5	400/700	2 850	70	Raccord	Ø110	Ø110	x	GLASS FIBRE REINFORCED THERMOPLASTIC	NORYL	IE3 ✓
HCP11553E7	6.5	400/700	2 850	88,5	Raccord	Ø110	Ø110	x		NORYL	IE3 ✓
HCP11753E7	7.5	400/700	2 850	104	Raccord	Ø110	Ø110	x		NORYL	IE3 ✓
HCP111003E1	10	400/700	2 850	108 (+)	Flange	Ø140	Ø140	x		NORYL	IE1 ✓
HCP111003E	10	400/700	2 850	108 (+)	Flange	Ø140	Ø140	x		NORYL	IE3 ✓
HCP111253E1	12.5	400/700	2 850	114 (+)	Flange	Ø140	Ø140	x		NORYL	IE1 ✓
HCP111253E	12.5	400/700	2 850	114 (+)	Flange	Ø140	Ø140	x		NORYL	IE3 ✓
HCP111503E1	15	400/700	2 850	130 (+)	Flange	Ø140	Ø140	x		NORYL	IE1 ✓
HCP112003E1	20	400/700	2 850	169 (+)	Flange	Ø140	Ø140	x	NORYL	IE1 ✓	
Serie - HCP1000											
 HCP10251E	2.5	230	2 850	39	Raccord	Ø90	Ø90	x	GLASS FIBRE REINFORCED THERMOPLASTIC	NORYL	IE1 ✓
HCP10253E3	2.5	230/400	2 850	39	Raccord	Ø90	Ø90	x		NORYL	IE3 ✓
HCP10253E1	2.5	230/400	2 850	39	Raccord	Ø90	Ø90	x		NORYL	IE1 ✓
HCP10301E	3	230	2 850	42	Raccord	Ø90	Ø90	x		NORYL	IE1 ✓
HCP10303E1	3	230/400	2 850	42	Raccord	Ø90	Ø90	x		NORYL	IE1 ✓
HCP10303E	3	230/400	2 850	42	Raccord	Ø90	Ø90	x		NORYL	IE3 ✓
HCP10353E1	3.5	230/400	2 850	54	Raccord	Ø90	Ø90	x		NORYL	IE1 ✓
HCP10353E	3.5	230/400	2 850	54	Raccord	Ø90	Ø90	x		NORYL	IE3 ✓
HCP10453E1	4.5	230/400	2 850	58	Raccord	Ø90	Ø90	x		NORYL	IE1 ✓
HCP10453E	4.5	230/400	2 850	58	Raccord	Ø90	Ø90	x		NORYL	IE3 ✓
HCP10553E1	5.5	230/400	2 850	68	Raccord	Ø90	Ø90	x		NORYL	IE1 ✓
HCP10553E17	5.5	400/700	2 850	68	Raccord	Ø90	Ø90	x		NORYL	IE1 ✓
HCP10553E7	5.5	400/700	2 850	68	Raccord	Ø90	Ø90	x	NORYL	IE3 ✓	
HCP10553E24	5.5	230/400	2 850	68	Raccord	Ø90	Ø90	x	NORYL	IE3 ✓	
Serie - HCP0900											
 HCP09101E	1	230	2 850	13.5	Raccord	50 or 63 mm	50 or 63 mm	x	GLASS FIBRE REINFORCED THERMOPLASTIC	NORYL	IE1 ✓
HCP09151E	1.5	230	2 850	20.5	Raccord	50 or 63 mm	50 or 63 mm	x		NORYL	IE1 ✓
HCP09201E	2	230	2 850	24	Raccord	50 or 63 mm	50 or 63 mm	x		NORYL	IE1 ✓
HCP09203E1	2	230/400	2 850	24	Raccord	50 or 63 mm	50 or 63 mm	x		NORYL	IE1 ✓
HCP09203E	2	230/400	2 850	24	Raccord	50 or 63 mm	50 or 63 mm	x		NORYL	IE3 ✓

(*) Flow rate at 16 m.w.c. • Pumps with IE1 Efficiency motor not available to be sold in the EU countries





FILTERS

Global solution for public pools

OUR RANGE OF FILTERS

Commercial pool maintenance places high demands on water filtration and treatment. Filters are a major constituent of the success of an installation.

They must meet the requirements associated with the size of the pool, its usage, the current physical treatment standards and the technical constraints related to the space available in the equipment room.

Hayward Commercial Aquatics manufactures and markets bobbin wound filters made of fiberglass reinforced polyester resin. Bobbin wound technology enhances the mechanical strength of the tank and can withstand maximum operating pressures of up to 9 bar for specific applications.

All filters are supplied without filtering media. The filters must not be moved nor displaced while containing water or filtering media.

FILTERS HCF SERIES

BOBBIN WOUND FILTERS EQUIPMENT . 54

HCF STANDARD SERIES	54
HCF UNI-SERIES FH1000 (UNI)	57
HCF DIN SERIES	58
BARCELONA	60

CARTRIDGE FILTERS 62

SWIMCLEAR™	62
----------------------	----

SUMMARY COMMERCIAL FILTERS. 63

VALVES & CONNECTIONS	64
MANUAL BATTERIES	65
AUTOMATIC BATTERIES	66
OPTIONS FOR BATTERIES	69
VITRAFIL	73

HCF STANDARD SERIES

Bobbin wound filter equipment

5

YEARS OF WARRANTY



Filter 2.5 bar
Filtration bed height: 1 m

Bobbin Filters Range

- All our commercial filters are supplied with basic options and additional options may be ordered
- For each type of technology, a wide choice of sizes, filtration speeds and pressure resistances are available

STANDARD FEATURES

- Lifting lugs (Lifting process only available with empty filter)
- Top manhole
- Pressure gauge with maximum pressure indicator and operating pressure monitoring
- Arm collectors



OPTIONS ON REQUEST:



Range / Pressures / 4,6 and 9 bar
Check our industrial filters range

Filtration bed height: 1.2 m or 1.5 m
Optionals page 37

Options under request	Diameters bobbin wound filters									
	1 050	1 200	1 400	1 600	1800	2 000	2 200	2 350	2 500	3 000
	Oval manhole 400 x 295 mm					Manhole 400 mm				
	Sight glass 90 mm					Connections: 225-250- Manhole: 500 mm				
						Sight glass 125 mm				
	Nozzle plate+									
	1.2 m bed height									
	1.5 m bed height									

Optional accessories under request

21301000300	1"- Tri-functional air relief
210350025000	Horizontal manometer panel 0-6 bar MP 25 (included with the Hayward batteries)
210350024000	Vertical manometer panel 0-6 bar MP 24
210350060000	Vertical manometer panel 0-10 bar MP 26

HCF STANDARD SERIES

Bobbin-wound filters

5

YEARS OF WARRANTY



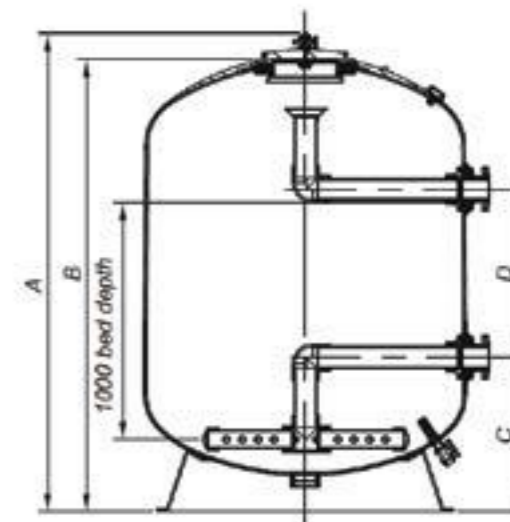
Bobbin-wound Filters

- Sand filters made from bobbin-wound glass-fibre yarn impregnated with polyester resin (GFRP technology)
- Wide range: diameter from 1 050 mm to 3 000 mm
- Operating pressure: 0.5 to 2.0 bar
- Maximum Pressure: 2.5 bar
- Filtration bed depth: 1 m
- Testing pressure: 3.75 kg/cm²
- Large opening on top for easy maintenance 400 x 300 mm
- Arm collector as standard
- Sand outlet 63 or 90 mm in diameter, water drain 1"
- Ball valve for air relief
- Uses: very large pools, water parks, industrial water treatment

- ▶ **Wide range of diameters: 1 050 mm to 3 000 mm**
- ▶ **Filtration bed depth: 1.2 and 1.5 meters on request.**
- ▶ **Nozzle plate on request.**

Dimensions 1 meter bed depth - arm collector

D Ø (mm)	1 050	1 200	1 400	1 600	1 800	2 000	2 200	2 350	2 500	3 000
Flanges Ø (mm)	63/75/90	75/90	75/90/110	90/110/125	90/110/125/140	110/125/140/160	125/140/160/200	125/140/160/200	140/160/200/225	160/200/225/250
Filtration height (m)	1	1	1	1	1	1	1	1	1	1
A (mm)	1 816	1 816	1 816	1 916	1 956	2 060	2 135	2 376	2 700	2 870
B (mm)	1 680	1 680	1 680	1 780	1 820	1 920	2 005	2 240	2 560	2 735
C (mm)	625	630	630	720	750	770	850	940	1 080	1 175
D (mm)	550	550	550	490	440	490	420	500	550	550
Filtration area (m ²)	0.86	1.13	1.54	2.01	2.54	3.14	3.80	4.33	4.90	7.07
Volume (L)	1 145	1 462	1 912	2 609	3 527	4 295	5 280	7 006	8 752	13 960
Gravel 1-2 (kg) / Sand 0.4 - 0.8 (kg)	150 / 1 150	200 / 1 525	325 / 2 075	450 / 2 725	575 / 3 450	1 000 / 4 250	1 000 / 4 925	1 600 / 5 850	1 700 / 6 625	2 800 / 9 500
Glass (kg)	1 180	1 560	2 160	2 860	3 640	4 740	5 280	6 700	7 500	11 080



HCF STANDARD SERIES

Bobbin-wound filters

5

YEARS OF WARRANTY

Reference	Diameter (mm)	Connection (mm)	Flow rate (m³/h)	Filtration area (m²)	Unassembled manual Batteries Reference	Speed (m³/h/m²)
HCF40632WVA	1 050	63	17	0.86	HCB634UN	20
HCF47752WVA	1 200	75	22	1.13	HCB754UN	
HCF55752WVA	1 400	75	30	1.54	HCB754UN	
HCF63902WVA	1 600	90	40	2.01	HCB904UN	
HCF70902WVA	1 800	90	50	2.54	HCB904UN	
HCF791102WVA	2 000	110	62	3.14	HCB1104UN	
HCF861252WVA	2 200	125	76	3.8	HCB1254UN	
HCF921252WVA	2 350	125	87	4.33	HCB1254UN	
HCF981402WVA	2 500	140	100	4.9	HCB1404UN	
HCF1181602WVA	3 000	160	140	7.07	HCB1604UN	
HCF40752WVA	1 050	75	25	0.86	HCB754UN	30
HCF47752WVA	1 200	75	33	1.13	HCB754UN	
HCF55902WVA	1 400	90	46	1.54	HCB904UN	
HCF631102WVA	1 600	110	60	2.01	HCB1104UN	
HCF701102WVA	1 800	110	76	2.54	HCB1104UN	
HCF791252WVA	2 000	125	94	3.14	HCB1254UN	
HCF861402WVA	2 200	140	114	3.8	HCB1404UN	
HCF921402WVA	2 350	140	130	4.33	HCB1404UN	
HCF981602WVA	2 500	160	150	4.9	HCB1604UN	
HCF1182002WVA	3 000	200	212	7.07	HCB2004UN	
HCF40752WVA	1 050	75	34	0.86	HCB754UN	40
HCF47902WVA	1 200	90	45	1.13	HCB904UN	
HCF551102WVA	1 400	110	61	1.54	HCB1104UN	
HCF631102WVA	1 600	110	80	2.01	HCB1104UN	
HCF701252WVA	1 800	125	101	2.54	HCB1254UN	
HCF791402WVA	2 000	140	125	3.14	HCB1404UN	
HCF861602WVA	2 200	160	152	3.8	HCB1604UN	
HCF921602WVA	2 350	160	175	4.33	HCB1604UN	
HCF982002WVA	2 500	200	200	4.9	HCB2004UN	
HCF1182252WVAM*	3 000	225	282	7.07	HCB2254UN	
HCF40902WVA	1 050	90	43	0.86	HCB904UN	50
HCF47902WVA	1 200	90	56	1.13	HCB904UN	
HCF551102WVA	1 400	110	77	1.54	HCB1104UN	
HCF631252WVA	1 600	125	100	2.01	HCB1254UN	
HCF701402WVA	1 800	140	125	2.54	HCB1404UN	
HCF791602WVA	2 000	160	157	3.14	HCB1604UN	
HCF862002WVA	2 200	200	190	3.8	HCB2004UN	
HCF922002WVA	2 350	200	217	4.33	HCB2004UN	
HCF982252WVAM*	2 500	225	250	4.9	HCB2254UN	
HCF1182502WVAM*	3 000	250	353	7.07	HCB2504UN	

Automatic batteries under request; Pneumatic or Electric actuators available - Unassembled or assembled on demand
* Only possible to provide with lateral manhole D 500 mm

HCF UNI-SERIES

Bobbin wound filters compliant with standard UNI 10637/2016 standard

5

YEARS OF WARRANTY



NEW LID

MADE IN EU

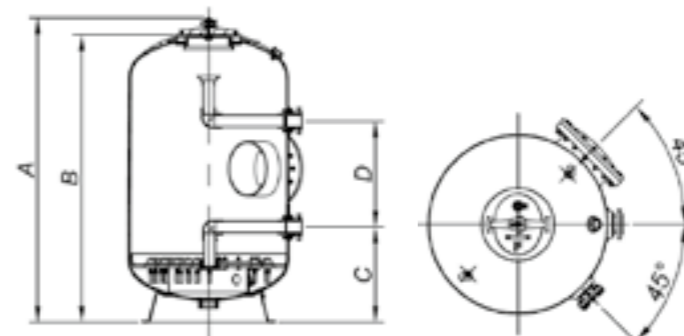
High-performance filters

- Sand filters made from bobbin-wound glass fibre yarn impregnated with polyester resin (GFRP technology)
- Filters conforming to the Italian regulation UNI 10637/2016
- Wide range diameter from 1 050 mm to 2 500 mm
- Operating pressure: 0.5 to 2.0 bar
- Maximum pressure: 2.5 bar
- Filtration bed depth: 1 m
- Sand outlet diameter 63 or 90 mm, water drain 1"
- Ball valve for air relief

AS STANDARD:

- Nozzle plate,
- Top manhole
- Side manhole (oval: 400 x 295 mm or round: Ø 400 mm)
- Sight glass 90 mm (Ø 1050 mm up to Ø 1400 mm)
- Sight glass 125 mm (Ø 1600 mm up to Ø 2500 mm)
- Manometer with maximum pressure indicator

Wide range of diameters:
1 050 mm to 2 500 mm



Reference	Diameter (mm)	Connection (mm)	Speed m³/h/m²	Flow rate m³/h	Weight (kg)	Filtration area (m²)	Sand (0.4-0.8) weight (kg)	Gravel (1-2) weight (kg)	Glass Media weight (kg)	Dimensions			
										A	B	C	D
HCFZ40754WVN	1 050	75	35	30	215	0.86	1 150	150	1160	2 259	2 132	675	820
HCFZ40904WVN	1 050	90	40-50	34-43	215	0.86	1 150	150	1160	2 259	2 132	675	820
HCFZ47754WVN	1 200	75	28	31	245	1.13	1 525	175	1520	2 330	2 190	725	810
HCFZ47904WVN	1 200	90	35-40	39-45	245	1.13	1 525	175	1520	2 330	2 190	725	810
HCFZ55904WVN	1 400	90	30	46	310	1.54	2 075	250	2080	2 304	2 177	735	815
HCFZ551104WVN	1 400	110	35-40	54-62	310	1.54	2 075	250	2080	2 304	2 177	735	815
HCFZ631104WVN	1 600	110	35	70	370	2.01	2 725	325	2720	2 399	2 272	780	850
HCFZ631254WVN	1 600	125	40-45	80-90	370	2.01	2 725	325	2720	2 399	2 272	780	850
HCFZ701104WVN	1 800	110	28	71	425	2.54	3 450	375	3440	2 430	2 290	810	800
HCFZ701254WVN	1 800	125	35	89	425	2.54	3 450	375	3440	2 430	2 290	810	800
HCFZ701404WVN	1 800	140	40-45	101-114	425	2.54	3 450	375	3440	2 430	2 290	810	800
HCFZ791254WVN	2 000	125	30	94	495	3.14	4 250	475	4240	2 476	2 350	810	800
HCFZ791404WVN	2 000	140	35	110	495	3.14	4 250	475	4240	2 476	2 350	810	800
HCFZ791604WVN	2 000	160	40-45	125-141	495	3.14	4 250	475	4240	2 476	2 350	810	800
HCFZ921604WVN	2 350	160	35-40	152-173	745	4.33	5 850	650	5860	2 800	2 665	980	820
HCFZ922004WVN	2 350	200	45-50	195-216	745	4.33	5 850	650	5860	2 800	2 665	980	820
HCFZ982004WVN	2 500	200	35	172	875	4.9	6 625	750	6620	2 700	2 560	1 080	550
HCFZ982254WVN	2 500	225	40-50	196-245	875	4.9	6 625	750	6620	2 700	2 560	1 080	550

Additional Diameters and Pressure under request.

HCF DIN SERIES

Bobbin wound filters

5

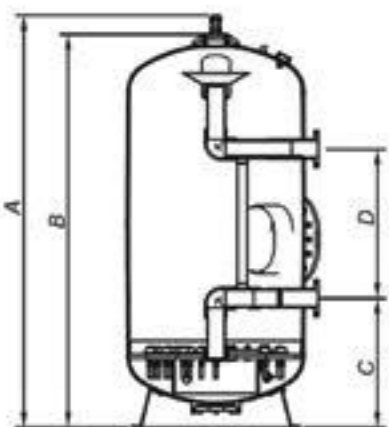
YEARS OF WARRANTY



Bobbin wound high performance filters DIN 19605 and 19643

- Polyester + fiberglass bobbin wound filters, manufactured by winding system, using polyester reinforced with resin impregnated fiber glass
- Wide range of diameter
- Operating pressure: 0.5 to 2 bar
- Maximum pressure: 2.5 bar
- Testing pressure: 3.75 kg/cm²
- Filtration bed depth: 1.2 and 1.5 meters
- Lateral man hole for easy maintenance
- Sight glass Ø 90 glass for Ø 1 400 filters and Ø 125 from Ø 1 600 up to Ø 3 000 filters
- Nozzle plate as standard

- ▶ Wide range of diameters
- ▶ Filtration bed depth:
1.2 and 1.5 meters
- ▶ Nozzle plate as standard



Dimensions

Diameter (mm)	1 400		1 600		1 800		2 000		2 350		2 500		3 000	
Connections	140		160		200		225		250		250		250	
Bed depth	1.2 m	1.5 m	1.2 m	1.5 m	1.2 m	1.5 m	1.2 m	1.5 m	1.2 m	1.5 m	1.2 m	1.5 m	1.2 m	1.5 m
Filtration rate (m ³ /h/m ²)	30		30		30		30		30		30		30	
Flow rate (m ³ /h)	46		60		76		94		130		150		212	
A (mm)	2 530	2 830	2 610	2 910	2 600	2 910	2 635	2 875	2 930	3 220	2 935	3 320	2 895	3 395
B (mm)	2 370	2 670	2 450	2 750	2 440	2 750	2 470	2 715	2 770	3 060	2 750	3 140	2 720	3 215
C (mm)	825	980	870	1 020	850	1 000	860	1 000	980	980	1 080	1 080	1 175	1 175
D (mm)	900	900	900	900	900	900	900	900	920	1 220	550	1 160	550	1 030
Filtration area (m ²)	1.54		2.01		2.54		3.14		4.33		4.90		7.07	
N° of nozzles	95		131		155		195		269		308		436	
Top inlet (mm)	160		250		250		250		250		250		250	
Lateral Manhole (mm)	Oval manhole 400 x 295		Round manhole Ø 400		Round manhole Ø 400		Round manhole Ø 500		Round manhole Ø 500		Round manhole Ø 500		Round manhole Ø 500	

HCF DIN SERIES

Bobbin wound filters

5

YEARS OF WARRANTY

Bed depth 1.2 meter

Reference	IFI551402WVN	IFI631602WVN	IFI702002WVN	IFI792252WVN	IFI922502WVN	IFI982502WVN	IFT1182502WVN
Ø (mm)	1 400	1 600	1 800	2 000	2 350	2 500	3 000
Silex 1 - 2 mm (kg)	250	325	375	475	650	750	1 050
Silex 0.4 - 0.8 mm (kg)	2 550	3 325	4 200	5 175	7 150	8 100	11 675
Vitrafil®	2 520	3 300	4 120	5 100	7 020	4 980	11 420

Bed depth 1.5 meter

Reference	IFT551402WVN	IFT631602WVN	IFT702002WVN	IFT792252WVN	IFT922502WVN	IFT982502WVN	IFT1182502WVN
Ø (mm)	1 400	1 600	1 800	2 000	2 350	2 500	3 000
Silex 1 - 2 mm (kg)	175	250	325	375	650	750	1 050
Silex 0.4 - 0.8 mm (kg)	3 225	4 450	5 300	6 550	9 000	10 300	14 800
Vitrafil®	3 160	4 300	5 120	6 320	8 700	9 960	14 280



HCF BARCELONA SERIES

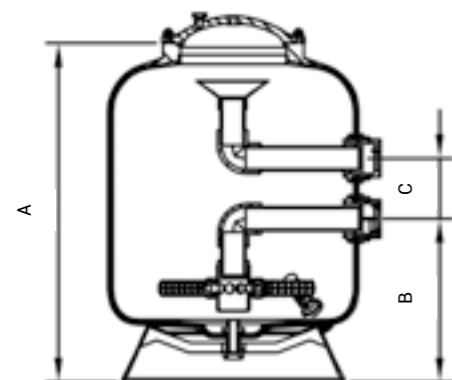
Bobbin wound filter equipment

MADE IN EU

NEW LID

Bobbin wound semi-commercial filters

- Technology bobbin wound sand filters
- Wide range of diameters: 500 mm up to 1200 mm
- Maximum pressure: 2.5 bar
- Operating pressure: 0.5 to 2.5 bar
- Available with 6 way valve or 90 mm flange connection
- Usages: for residential or semi-commercial pools
- New transparent lid



Threaded connection in Ø 500 - Ø 600 - Ø 750 - Ø 900 - Ø 1050-2"



Flange connection in Ø 1050-90 mm and Ø 1200-90 mm

Dimensions

Reference	Diameter (mm)	6 way valve included	Flow at 30m³/h/m²	Flow at 50m³/h/m²	Weight (kg)	Filtration area (m²)	Sand (0.4-0.8) weight (kg)	A	B	C
HCFE402I2WVA	1050	2"	26	-	120	0.87	700	1256	600	141
HCFE403I2WVA	1050	90 mm	26	43	125	0.87	700	1256	510	285
HCFE473I2WVA	1200	90 mm	34	56	150	1.13	1125	1328	570	310
HCFE40902WVA	1050	not included	26	43	150	0.87	700	1256	510	285
HCFE47902WVA	1200	not included	34	56	150	1.13	1125	1328	570	310

Filter also available in diameter 500, 600, 750 and 900 mm on demand

D ø (mm)	Standard pressure gauge	Lid (mm)	Sand drain	Water purge	Standards	Notes
1050	✓	Transparent 220	D63	1"	-	6-way valve included for 2" version. Battery of valves and supports not included for 90 mm version.
1200	✓	Transparent 220	D63	1"	-	Battery of valves and supports not included.

Filter ref	In/Out	Number of valve positions	Valve ref.
HCFE352I2WVA - HCFE402I2WVA	2"	6	SP0663SKR-LP
HCFE403I2WVA - HCFE473I2WVA	3"	6	250130510000



SWIMCLEAR™

Cartridge filter - SwimClear™



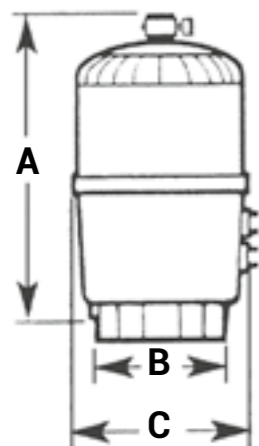
YEARS OF WARRANTY
5 10
ON EQUIPMENT ON TANK



Trouble-free crystal-clear water

- Ultra-fine filtration - twice as efficient as a sand filter: 20 to 25 microns
- Very large filtration area
- Reduced maintenance: once a season under normal conditions
- Small ground footprint
- No backwashing: saves on water, heating and chemicals
- Can be installed outdoors thanks to its weather-resistant tank
- Operating pressure: 3.5 bar

► Ultra-fine filtration:
20 to 25 microns



Effective filtration area	Ref. flow rate (sand filter)	In/Out	Empty weight	Ref.
63.2 m ²	35 m ³ /h	63 mm	39 kg	C7030EURO

Dimensions		
A	B	C
1 330	457	660

Item	O.D.	I.D.	Height	Quantity required	Item
REPLACEMENT SWIMCLEAR™ CARTRIDGES C7030EURO	177.8 mm	75 mm	485.8 mm	8	CX591XRE

SUMMARY COMMERCIAL FILTERS

Bobbin filters

BOBBIN WOUND COMMERCIAL FILTERS

D ø (mm)	Connections ø (mm or mm)	Bed depth (m)	Arm collector	Nozzle plate	Sight glass	Tri-functional safety valve	Lateral Manhole	Top valve for air relief	Lifting eyebolts	Witness pressure gauge	Standard pressure gauge	Lid (mm)	Sand drain	Water purge	Standards	Notes		
BOBBIN - HCF Standard Series																		
1050	63 / 75 / 90	1	✓	x	x	OP	OP (400X295)	✓	✓	✓	x	TOP MANHOLE 400 x 295	D63	1"				
1200	75 / 90	1	✓	x	x	OP	OP (400X295)	✓	✓	✓	x		D63	1"				
1400	75 / 90 / 110	1	✓	x	x	OP	OP (400X295)	✓	✓	✓	x		D63	1"				
1600	90 / 110 / 125	1	✓	x	x	OP	OP (D400)	✓	✓	✓	x		D90	1"				
1800	90 / 110 / 125 / 140	1	✓	x	x	OP	OP (D400)	✓	✓	✓	x		D90	1"				
2000	110 / 125 / 140 / 160	1	✓	x	x	OP	OP (D400)	✓	✓	✓	x		D90	1"				
2200	125 / 140 / 160 / 200	1	✓	x	x	OP	OP (D400)	✓	✓	✓	x		D90	1"				
2350	125 / 140 / 160 / 200	1	✓	x	x	OP	OP (D400)	✓	✓	✓	x		D90	1"				
2500	140 / 160 / 200	1	✓	x	x	OP	OP (D400)	✓	✓	✓	x		D90	1"				
2500	225	1	✓	x	x	OP	D500	✓	✓	✓	x		D90	1"				
3000	160 / 200	1	✓	x	x	OP	OP (D400)	✓	✓	✓	x	D90	1"					
3000	225 / 250	1	✓	x	x	OP	D500	✓	✓	✓	x	D90	1"					
BOBBIN HCF UNI-Series																		
1050	75 / 90	1	x	✓	D90	OP	400X295	✓	✓	✓	x	TOP MANHOLE 400 x 295	D63	1"		ACCORDING TO UNI 10637/2016		
1200	75 / 90	1	x	✓	D90	OP	400X295	✓	✓	✓	x		D63	1"				
1400	90 / 110	1	x	✓	D90	OP	400X295	✓	✓	✓	x		D63	1"				
1600	110 / 125	1	x	✓	D125	OP	D400	✓	✓	✓	x		D63	1"				
1800	110 / 125 / 140	1	x	✓	D125	OP	D400	✓	✓	✓	x		D90	1"				
2000	125 / 140 / 160	1	x	✓	D125	OP	D400	✓	✓	✓	x		D90	1"				
2500	200	1	x	✓	D125	OP	D400	✓	✓	✓	x		D90	1"				
2500	225	1	x	✓	D125	OP	D500	✓	✓	✓	x		D90	1"				
BOBBIN HCF DIN Series																		
1400	140	1.2 / 1.5	x	✓	D90	OP	400X295	✓	✓	✓	x		TOP MANHOLE 400 x 295	D63	1"			
1600	160	1.2 / 1.5	x	✓	D125	OP	D400	✓	✓	✓	x	D63		1"				
1800	200	1.2 / 1.5	x	✓	D125	OP	D400	✓	✓	✓	x	D90		1"				
2000	225	1.2 / 1.5	x	✓	D125	OP	D500	✓	✓	✓	x	D90		1"				
2350	250	1.2 / 1.5	x	✓	D125	OP	D500	✓	✓	✓	x	D90		1"				
2500	250	1.2 / 1.5	x	✓	D125	OP	D500	✓	✓	✓	x	D90		1"				
2500	250	1.2 / 1.5	x	✓	D125	OP	D500	✓	✓	✓	x	D90		1"				
3000	250	1.2 / 1.5	x	✓	D125	OP	D500	✓	✓	✓	x	D90		1"				
BOBBIN HCF BARCELONA																		
1050	2" / 90	0.5	✓	x	x	x	x	x	x	x	✓	TRANSPARENT 220		D63	1"		(1)	
1200	90	0.65	✓	x	x	x	x	x	x	x	✓		D63	1"		(2)		

(1) 6-way valve included for 2" version. Battery of valves and supports not included for 90 mm version.

(2) Battery of valves and supports not included.

✓ - Included • OP - Optional • X - Not included

Battery of valves and supports not included. check options and range in the commercial pool catalogue.

VALVES AND CONNECTIONS

2

YEARS OF WARRANTY

MADE IN EU

6 way valves - and connections

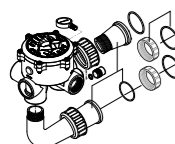


SP0663SKR-LP

Ref.	Description
SP0663SKR-LP (old reference 250120011300)	6 way valve - 2" Barcelona Filter - Black colour
250130510000 (old reference HCV375E)	6 way valve - 3" Barcelona Filter - Black colour

MADE IN EU

Fitting - Connections -6-way valves



*Example fitting connection

Spare parts	Description
500200061300	Included - Filter as standard 2" black union set for Barcelona filter D.900
500300060200	Included when filter sold with valve 3" union set for Barcelona filter D.1050
500300060300	Included when filter sold with valve 3" union set for Barcelona filter D.1200



Range: 2 1/2" / 3" / 4"

- 1 Metric and imperial quick connect unions
- 2 Heavy duty ABS construction
- 3 Durable lever action handle
- 4 6 way multiple valve positions
- 5 High grade stainless steel components
- 6 Pressure gauge
- 7 Wear resistant rotor
- 8 Clear sight glass for backwash inspection

MANUAL BATTERIES

2

YEARS OF WARRANTY



MADE IN EU

Unassembled batteries for filter reference 2,5 and 4 bar



MADE IN EU

Unassembled batteries with Netvitc system valves

Manual unassembled filter batteries

- Manual filter batteries are fitted with five high-quality PVC butterfly valves and a pressure gauge control panel
- Batteries with Netvitc system valves use A2 stainless steel screws
- Delivered unassembled single package. Easy to manage and transport
- Right or left installation possible, hand easy installation guide included
- Batteries assembled on request

Reference	Designation	Reference	Designation
HCB634UN	Unassembled 5 valves - Battery D63 - 2,5-4 bar	HCB634UNET	Bat.Netvitc manual d.63 Unassembled manometer included 2,5/4 bar
HCB754UN	Unassembled 5 valves - Battery D75 - 2,5-4 bar	HCB754UNET	Bat.Netvitc manual d.75 Unassembled manometer included 2,5/4 bar
HCB904UN	Unassembled 5 valves - Battery D90 - 2,5-4 bar	HCB904UNET	Bat.Netvitc manual d.90 Unassembled manometer included 2,5/4 bar
HCB1104UN	Unassembled 5 valves - Battery D110 - 2,5-4 bar	HCB1104UNET	Bat.Netvitc manual d.110 Unassembled manometer + clamps included 2,5/4 bar
HCB1254UN	Unassembled 5 valves - Battery D125 - 2,5-4 bar	HCB1254UNET	Bat.Netvitc manual d.125 Unassembled manometer + clamps included 2,5/4 bar
HCB1404UN	Unassembled 5 valves - Battery D140 - 2,5-4 bar	HCB1404UNET	Bat.Netvitc manual d.140 Unassembled manometer + clamps included 2,5/4 bar
HCB1604UN	Unassembled 5 valves - Battery D160 - 2,5-4 bar	HCB1604UNET	Bat.Netvitc manual d.160 Unassembled manometer + clamps included 2,5/4 bar
HCB2004UN	Unassembled 5 valves - Battery D200 - 2,5-4 bar	HCB2004UNET	Bat.Netvitc manual d.200 Unassembled manometer + clamps included 2,5/4 bar
HCB2254UN	Unassembled 5 valves - Battery D225 - 2,5-4 bar	HCB2254UNET	Bat.Netvitc manual d.225 Unassembled manometer + clamps included 2,5/4 bar
HCB2504UN	Unassembled 5 valves - Battery D250 - 2,5-4 bar		

EQUIPMENT DETAILS BY CONNECTIONS

Connections	Rods	Clamps	Standard Valves	Netvitc Valves	Fitting and pipes	Screws and joins	Pressure gauge panel	Guide line, Cutting Pipe
ø 63	X (option)	X (option)	V	V	V	V	V	V
ø 75	X (option)	X (option)	V	V	V	V	V	V
ø 90	X (option)	X (option)	V	V	V	V	V	V
ø 110	X (option)	V	V	V	V	V	V	V
ø 125	X (option)	V	V	V	V	V	V	V
ø 140	X (option)	V	V	V	V	V	V	V
ø 160	X (option)	V	V	V	V	V	V	V
ø 200	X (option)	V	V	V	V	V	V	V
ø 225	X (option)	V	V	X	V	V	V	V

AUTOMATIC BATTERIES

With electric actuators

2
YEARS OF WARRANTY



MADE IN EU



Electric actuators

Automatic valve batteries with electric actuators

- Automatic valve batteries are fitted with five high-quality PVC butterfly valves and a pressure gauge control panel
- Delivered unassembled single package. Easy to manage and transport
- Right or left installation possible, easy installation guide included
- Batteries assembled on request
- Supplied with 3 electric actuators with security block (BSR), that close the valves in case of power cutdown, protecting the filter from overpressure and avoiding the pool from emptying

Recommendation of positioning the valves

	BSR				
POSITION	1	2	3	4	5
FILTRATION	Open	Closed	Closed	Closed	Open
BACKWASH	Closed	Open	Open	Closed	Closed
RINSE	Open	Closed	Closed	Open	Closed
CLOSED	Closed	Closed	Closed	Closed	Closed

24 - 240 V MULTIVOLTAGE PCB: All actuators have been set-up to work from 24 to 240, either in DC and in VAC.

Housing: Anticorrosive polyamide (lid & body) Main external shaft: stainless steel

External screws: stainless steel

Gears: Steel and polyamide

Visual position indicator: Polyamide

Dome: Polycarbonate

Adjustable internal cams: Polyamide Electric motor: Single phase, Brushless

Insulation: Class B

Minimum use guaranteed: 60 000 cycles



AUTOMATIC BATTERIES

With pneumatic actuators

2
YEARS OF WARRANTY



MADE IN EU

Air compressor not included



Pneumatic actuators

Automatic valve batteries with pneumatic actuators

- Automatic valve batteries are fitted with five high-quality PVC butterfly valves and a pressure gauge control panel.
- Delivered unassembled single package. Easy to manage and transport
- Right or left installation possible, easy installation guide included
- Batteries assembled on request
- Supplied with 3 single effect pneumatic actuators that close the valves in case of power cutdown or pneumatic failure, protecting the filter from overpressure and preventing the pool from emptying
- Provided with 5/2-way 24 VDC electrovalves

	SE				
POSITION	1	2	3	4	5
FILTRATION	Open	Closed	Closed	Closed	Open
BACKWASH	Closed	Open	Open	Closed	Closed
RINSE	Open	Closed	Closed	Open	Closed
CLOSED	Closed	Closed	Closed	Closed	Closed

GENERAL CHARACTERISTICS OF PNEUMATIC ACTUATORS

Supply: dry or lubricated filtered compressed air; pressure: min. 1 Bar, max. 10 Bars.

- The lubrication carried out by the manufacturer is guaranteed for min. 1 000 000 manoeuvres.
- Inside surface finish (Ra 0.4-0.6 mm) to minimize friction and to maximize the life of the actuator.
- Standard design for temperatures from - 20°C to + 80°C.
- External protection: resistance to corrosion of 500 hrs in salty fog according to ASTM B117-73.
- Body, heads and pistons: made from aluminium alloy.



Reference	Description
HCBEL634UN	Automatic battery set with electric actuators Ø 63 - unassembled
HCBEL754UN	Automatic battery set with electric actuators Ø 75 - unassembled
HCBEL904UN	Automatic battery set with electric actuators Ø 90 - unassembled
HCBEL1104UN	Automatic battery set with electric actuators Ø 110 - unassembled
HCBEL1254UN	Automatic battery set with electric actuators Ø 125 - unassembled
HCBEL1404UN	Automatic battery set with electric actuators Ø 140 - unassembled
HCBEL1604UN	Automatic battery set with electric actuators Ø 160 - unassembled
HCBEL2004UN	Automatic battery set with electric actuators Ø 200 - unassembled
HCBEL2254UN	Automatic battery set with electric actuators Ø 225 - unassembled
HCBEL2504UN	Automatic battery set with electric actuators Ø 250 - unassembled

Reference	Description
HCBPN634UN	Automatic battery set with Pneumatic actuators Ø 63 24 VDC - unassembled
HCBPN754UN	Automatic battery set with Pneumatic actuators Ø 75 24 VDC - unassembled
HCBPN904UN	Automatic battery set with Pneumatic actuators Ø 90 24 VDC - unassembled
HCBPN1104UN	Automatic battery set with Pneumatic actuators Ø 110 24 VDC - unassembled
HCBPN1254UN	Automatic battery set with Pneumatic actuators Ø 125 24 VDC - unassembled
HCBPN1404UN	Automatic battery set with Pneumatic actuators Ø 140 24 VDC - unassembled
HCBPN1604UN	Automatic battery set with Pneumatic actuators Ø 160 24 VDC - unassembled
HCBPN2004UN	Automatic battery set with Pneumatic actuators Ø 200 24 VDC - unassembled
HCBPN2254UN	Automatic battery set with Pneumatic actuators Ø 225 24 VDC - unassembled
HCBPN2504UN	Automatic battery set with Pneumatic actuators Ø 250 24 VDC - unassembled

AUTOMATIC BATTERIES

Equipment details for unassembled batteries

2

YEARS OF WARRANTY

BATTERIES WITH ELECTRIC ACTUATORS

Connections	Rods	Clamps	Valves	Fitting and pipes	Screws and joins	Pressure gauge panel MP25	Pressure switch	Control box
ø 63	X (option)	X (option)	ø 63	V	V	V	X (option)	X (option)
ø 75	X (option)	X (option)	ø 75	V	V	V	X (option)	X (option)
ø 90	X (option)	X (option)	ø 90	V	V	V	X (option)	X (option)
ø 110	X (option)	V	ø 110	V	V	V	X (option)	X (option)
ø 125	X (option)	V	ø 125	V	V	V	X (option)	X (option)
ø 140	X (option)	V	ø 140	V	V	V	X (option)	X (option)
ø 160	X (option)	V	ø 160	V	V	V	X (option)	X (option)
ø 200	X (option)	V	ø 200	V	V	V	X (option)	X (option)
ø 225	X (option)	V	ø 225	V	V	V	X (option)	X (option)
ø 250	X (option)	V	ø 250	V	V	V	X (option)	X (option)

BATTERIES WITH PNEUMATIC ACTUATORS

Connections	Rods	Clamps	Valves	Fitting and pipes	Screws and joins	Pressure gauge panel MP25	Limit switch	Pressure switch	Control Box
ø 63	X (option)	X (option)	ø 63	V	V	V	X (option)	X (option)	X (option)
ø 75	X (option)	X (option)	ø 75	V	V	V	X (option)	X (option)	X (option)
ø 90	X (option)	X (option)	ø 90	V	V	V	X (option)	X (option)	X (option)
ø 110	X (option)	V	ø 110	V	V	V	X (option)	X (option)	X (option)
ø 125	X (option)	V	ø 125	V	V	V	X (option)	X (option)	X (option)
ø 140	X (option)	V	ø 140	V	V	V	X (option)	X (option)	X (option)
ø 160	X (option)	V	ø 160	V	V	V	X (option)	X (option)	X (option)
ø 200	X (option)	V	ø 200	V	V	V	X (option)	X (option)	X (option)
ø 225	X (option)	V	ø 225	V	V	V	X (option)	X (option)	X (option)
ø 250	X (option)	V	ø 250	V	V	V	X (option)	X (option)	X (option)

Air compressor not included

OPTIONS FOR BATTERIES

For all filters

2

YEARS OF WARRANTY

Support Rods and fixation clamps

HILTI - CLAMPS:



Ref.	Description
259006300000	D63-1 Unit clamps Hilti
259007500000	D75-1 Unit clamps Hilti
259009000000	D90-1 Unit clamps Hilti
259011000000	D110-1 Unit clamps Hilti
259012500000	D125-1 Unit clamps Hilti
259014000000	D140-1 Unit clamps Hilti
259016000000	D160-1 Unit clamps Hilti
259020000000	D200-1 Unit clamps Hilti
259022500000	D225-1 Unit clamps Hilti
259025000000	D250-1 Unit clamps Hilti

HILTI-RODS



Ref.	Description
259010000000	2 RODS (2 meters) + 4 CAPS included
259000000010	2 RODS (3 meters) + 4 CAPS included
259010000020	Kit 4 CAPS for HILTI RODS

Guideline Rods by filters

ø Filters	BOBBIN SERIES			BRASIL SERIES	ARTIK SERIES	NEW ENZO SERIES
	STANDARD 1 m bed depth	FH1000 (UNI) / DIN 1,2 m bed depth	DIN 1,5 m bed depth	1 m bed depth	1 m bed depth	1 m bed depth
ø 1 050	2 meters	2 meters	3 meters	2 meters	2 meters	2 meters
ø 1 200	2 meters	2 meters	3 meters	2 meters	2 meters	2 meters
ø 1 400	2 meters	2 meters	3 meters	2 meters	2 meters	2 meters
ø 1 600	2 meters	2 meters	3 meters	2 meters	2 meters	3 meters
ø 1 800	2 meters	2 meters	3 meters	2 meters	2 meters	3 meters
ø 2 000	2 meters	2 meters	3 meters	2 meters	2 meters	3 meters
ø 2 200	2 meters	-	-	-	2 meters	-
ø 2 350	2 meters	3 meters	3 meters	2 meters	-	-
ø 2 500	3 meters	3 meters	3 meters	3 meters	-	-
ø 3 000	3 meters	3 meters	3 meters	-	-	-
ø 3 000	3 meters	3 meters	3 meters	-	-	-

Liquid viewers for backwash

Ref.	Description
100174200631	D63 - Liquid viewer NETVITC® system
100174200750	D75 - Liquid viewer Socket Flange
100174200900	D90 - Liquid viewer Socket Flange
100174201100	D110 - Liquid viewer Socket Flange
100174201250	D125 - Liquid viewer Socket Flange
100174201400	D140 - Liquid viewer Socket Flange
100174201600	D160 - Liquid viewer Socket Flange
100174202001	D200 - Liquid viewer NETVITC® system



OPTIONS FOR BATTERIES

2

YEARS OF WARRANTY



Pressure switch

- Pressure switch to install on automatic batteries.
- Wide regulation range, small size to save space
- Max. working pressure: 18 bar. Differential range: 0.4 to 1.5 bar
- Ambient pressure: - 40 to + 70°C
- Entry for cables 6 to 14 mm diameter
- Connection: 1/4"
- Protection: IP33

Ref.	Description
210335000000	Pressure switch KPI35.B



Limit switch box for pneumatic actuators

- Limit switch to install on pneumatic actuators.
- Indicates and sends signal of the position open / closed of the valve
- SPDT mechanical switch
- Protection: IP67

Ref.	Description
HCBSBPNV	Limit switch box for pneumatic actuators

Control box for automatic electric and pneumatic batteries

- Electric control box for a battery of 5 automatic valves (pneumatic or electric)
- Can switch on/off other equipment as the salt chlorinator system, the control panel for dosing, etc.
- The control is achieved by means of time scheduling (day and hour) and by a contextual navigation with a big and backlight LCD screen
- Optionally it can be triggered by an external input signal such as a pressure switch.



2 models available

Ref	Description
HCBCBOX	Control box for batteries
HCBCBOXLT	Control box for batteries + level control for balance tank

AUTOMATIC BATTERIES

General guidelines

2

YEARS OF WARRANTY

Selection of Battery

First step: Select option: 1.1 or 1.2
1.1 - Assembled (only bobbin filters)
1.2 - Unassembled (available for all filters)

Second step: Select option: 2.1 or 2.2
2.1 - Pneumatic actuators
2.2 - Electric actuators

Selection of Control box

Option 1
HCBCBOX, Control box for batteries

Option 2
HCBCBOXLT, Control box for batteries & level control for balance tank

Automatic batteries with electric actuators



+



+



Assembled batteries available for bobbin filters
Unassembled batteries available for all filters
(laminated and bobbin)

HCBCBOX- Control box for batteries

Control box for filtration through set filter and battery with 5 automatic butterfly valves

HCBCBOXLT - Control box for batteries & Level Control for balance tank

Control box for filtration through set filter and battery with 5 automatic butterfly valves and level control for balance tank (probes included)

Automatic batteries with pneumatic actuators



+



+



Assembled batteries available for bobbin filters
Unassembled batteries available for all filters
(laminated and bobbin)

HCBCBOX - Control box for batteries

Control box for filtration through set filter and battery with 5 automatic butterfly valves

HCBCBOXLT - Control box for batteries & Level Control for balance tank

Control box for filtration through set filter and battery with 5 automatic butterfly valves and level control for balance tank (probes included)

VITRAFIL

Active filter glass

3

YEARS OF WARRANTY



Active filter glass

The entire range of Vitrafil filter glass is precision-calibrated using a cutting-edge process, making it possible to:

- Prevent filter media compaction.
 - Guarantee filter media performance.
 - Use a single grain type, irrespective of filter size.
 - Obtain a polyhedral particle, free of pores or sharp edges and hence completely safe.
 - Keep all the micro-channels of the filter mass open, thus preventing clogging inside the filter.
 - Reduce consumption of water treatment chemicals.
- Does not compact, and prevents biofilm and preferential path formation.
 - Extremely hard-wearing.
 - **Reduces consumption of chemicals by up to 50%**, cuts backwashing time, saves water.
 - **Certified by Bureau Veritas ES026775-CPI**, 100% free of impurities, clean right from the start.

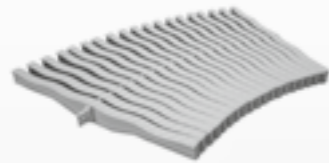
The particle size of Vitrafil (0.6mm) makes it possible to:

- Optimize filter retention capacity, thus allowing less frequent backwashing.
- Optimize the efficiency of backwashing.
- Minimize filter pressure drops, thus reducing pump consumption.
- Optimize filtration quality.

Description	Technical glass, precision-calibrated for industrial water treatment.
Composition	SiO ₂ (74%) / Na ₂ O (11%) / CaO (10%) / MgO (3%) / Al ₂ O ₃ (1%)
Properties	Loss on ignition at 1000°C ≤ 0.1%, abrasion resistance test in immersed state (1000 hours) ≤ 0.1%
Density	Density: 2490 kg/m ³ - Bulk density: 1335 kg/m ³ .
Precautions	Check the status of the collector. Ideally, replace it. Do not ingest.
Incompatibilities	None identified.
Installation	Once the filter bed has been replaced, carry out a 5-minute backwash before starting filtration.
Recommendations	When substituting silica sand, add 20% less glass by weight. • Maximum permissible flow rate:..... 90 m ³ /h/m ² • Rated flow rate:..... between 15 and 50 m ³ /h/m ² • Critical point for backwashing:..... 18 m ³ /h/m ² • Optimum flow rate for backwashing:.... 45 m ³ /h/m ² • Optimum air injection rate:..... 40m ³ /h/m ²

Ref.	Packaging	Quantity	Particle size Ø (mm)	Weight (kg)	Vol. (m ³)
260400002000	Bag	1000	0.6	20.1	0.024
260400100000	Pallet	1000	0.6	1000	1

FOCUS ON
COMMERCIAL
WHITE GOODS



GRATING



COUNTER-CURRENT EQUIPMENT



WHITE GOODS

Global Solution for public pools

OUR RANGE OF WHITE GOODS

White goods allow water to be circulated and they are also used for pool lighting. It is very important to choose them with care as they are integrated into the pool and therefore contribute to its durability. Among our various ranges of skimmers, lights, main drains, etc., you will be able to find the components that are best suited to your pool, regardless of its construction material, be it a vinyl, concrete, fibreglass or panel pool.

WHITE GOODS

AUTO-SKIM SKIMMER SERIES	76
OUTLET FITTING	77
SKIMMER	79
MAIN DRAINS	80
MODULAR GRATINGS	83
COUNTER-CURRENT EQUIPMENT	85
UP STREAM SWIMMING ACCESSORIES	86
MAIN DRAIN GRATINGS	88

White Goods

Auto-Skim Skimmer series

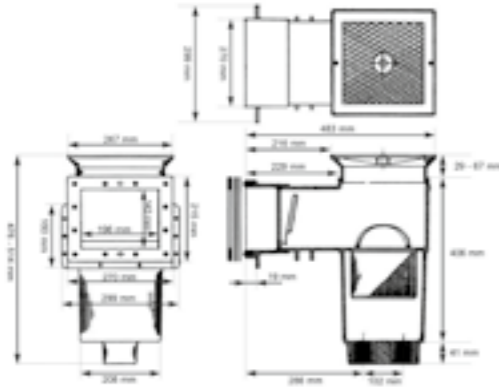
2
YEARS OF WARRANTY



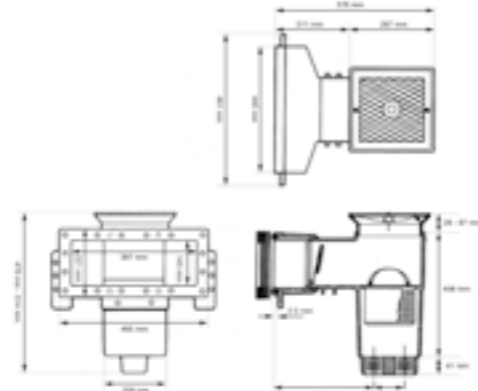
SP1084



SP1085



SP1084



SP1085

AUTO-SKIM
SKIMMER SERIES

Description	Feed through size in mm	Concrete Item	Vinyl Item
Small-mouth skimmer	229 / 229	-	SP1084
Large-mouth skimmer	325 / 253 / 325	-	SP1085
Pack of long screws (32 mm)	-	-	SPX1085Z1AM

White Goods

Outlet fittings

2
YEARS OF WARRANTY

3150



Water level regulator

Tap easily removable from within

Item

Water level regulator	3150
-----------------------	------



Multi-directional outlets	Union fitting	Diameter (mm)	Item
Outlet	1½" MIP	-	SP1419A*
Outlet	1½" MIP	12 - ½"	SP1419CE
Outlet	1½" MIP	19 - ¾"	SP1419DE
Outlet	1½" MIP	25 - 1"	SP1419EE
Outlet with flexible end	1½" MIP	25 - 1"	SP1420E

* Split eyeball



SP1023E19D

1.5" - 2" adjustable outlet for Fibreglass

Item

Multi-directional outlet for fiberglass (Ø 19)	SP1023E19D
Multi-directional outlet for fiberglass (Ø 25)	SP1023E19E



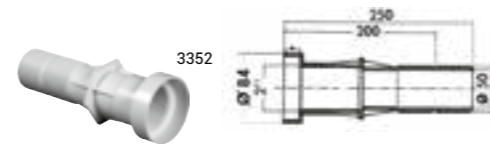
SP1425

2" adjustable outlet

Floor-mounting Item

2" adjustable outlet	SP1425
----------------------	--------

Wall inlets



3352

Wall inlet 3352

Item

Wall inlet	3352
------------	------

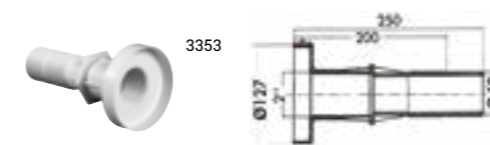


3350

Wall inlet 3350

Item

Wall inlet	3350
------------	------



3353

Wall inlet 3353

Item

Wall inlet	3353
------------	------



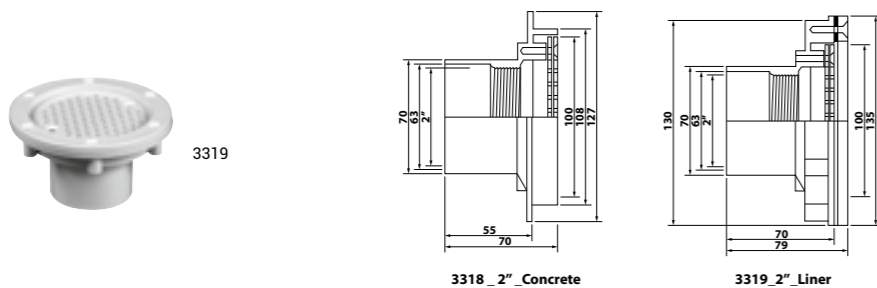
3358

Wall inlet 3358

Item

Wall inlet	3358
------------	------

Through pipes for polyester or liner nozzles

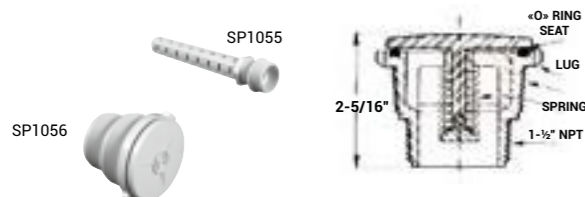


2" screw-in and 63 mm adhesive adjustable outlet for Concrete and Vinyl pools

Concrete Item Vinyl Item

2" adjustable outlet	3318	3319
----------------------	------	------

Main drains



Hydrostatic valve and drainage tube for main drains - SP1080 series

Ref.

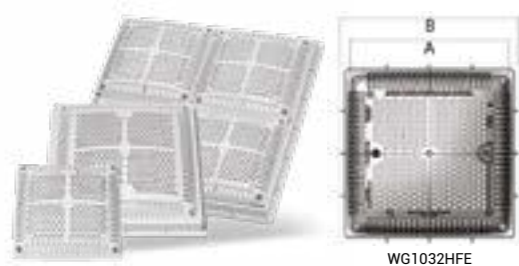
Valve	SP1056
Drain	SP1055



Anti-entrapment main drain WG Series

Concrete Ref Vinyl Ref.

HAYWARD® 1.5" main drain	WG1051AVE	WG1048AVE
HAYWARD® 2" main drain, side	WG1054AVE	WG1049AVE



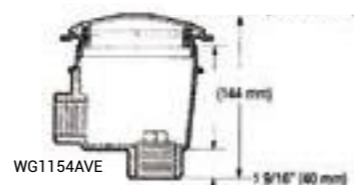
Main drain grating - Concrete

Suction area	Dim A	Dim B	Reference
271 cm ²	225	268	WG1031HFE
436 cm ²	315	340	WG1032HFE

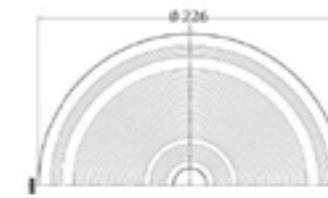
Concrete Anti-entrapment main drain WG1154AVE Series

Ref.

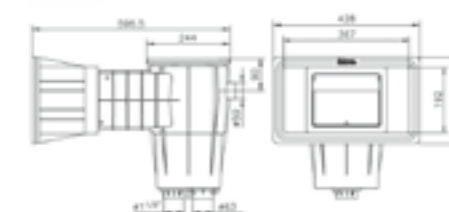
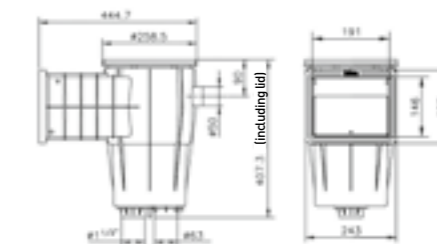
Concrete main drain	WG1154AVE
---------------------	-----------



- Available for liner, fibreglass and concrete
- Made of white injected ABS.
- Inlet connection 1.5" or 63 mm (5 m³/h or 7.5 m³/h)
- Overflow connection ø 32 mm



Lid common to all models



Ref.	Frame	Type of pool	Type of mouth	Connection (mm)	Stainless steel insert	Weight (kg)	Vol. (m ³)	C.S.U.
060110100000	Square	Concrete	Standard	1 1/2" - 63	-	3.3	0.046	1
060111100000	Square	Concrete	Wide	1 1/2" - 63	-	3.8	0.105	1
060110200000	Square	Liner	Standard	1 1/2" - 63	-	6	0.046	1
060110300000	Square	Liner	Standard	1 1/2" - 63	Yes	6	0.046	1
060111200000	Square	Liner	Wide	1 1/2" - 63	-	6.5	0.105	1
060111300000	Square	Liner	Wide	1 1/2" - 63	Yes	6.5	0.105	1



VERTICAL EXTENSION

Vertical extension for skimmers

- This element is used to adjust the height of the skimmer, so that it is flush with the pool edge
- For concrete, liner or fibreglass pools

Ref	Model	Height (mm)	Ø internal (mm)	Ø external (mm)
060190000000	EXT	126	215/210	224/218

White Goods

Inlet, Fittings and Main Drains

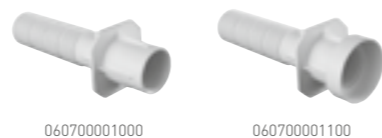
2
YEARS OF WARRANTY

Inlet & Fittings

Made of white injected ABS

Inlet

Ref.	Type of pool	Length mm	Ø connect. tube side	Ø connect. return fitting side	Weight (kg)	Vol. (m³)	C.S.U.
060700001000	Concrete	300	2"- 50	2"	3	0.04	12
060700001100	Liner	300	2"- 50	2"	3	0.04	12



Return fittings - wall fittings

Ref.	Type of pool	Flow rate (l/h)	Outlet (mm)/ Standard	Connection Ø (mm)	Weight (kg)	Vol. (m³)	C.S.U.
060500206400	Concrete	5 000	20	63 (PN10)	1.2	0.01	4 slip
060500205100	Concrete	5 000	20	50 / 40	1.2	0.01	4 slip
060500142000	Concrete	3 000	14	2" / 50	1.3	0.01	4 screw-on
060500202000	Concrete	5 000	20	2" / 50	1.3	0.01	4 screw-on
060500242000	Concrete	7 000	24	2" / 50	1.3	0.01	4 screw-on
060500302000	Concrete	7 000	EN 13451	2" / 50	1.3	0.01	4 screw-on
060501142000	Liner	3 000	14	2" / 50	1.3	0.01	4 screw-on
060501202000	Liner	5 000	20	2" / 50	1.3	0.01	4 screw-on
060501242000	Liner	7 000	24	2" / 50	1.3	0.01	4 screw-on
060501302000	Liner	7 000	EN 13451	2" / 50	1.3	0.01	4 screw-on
060502142000	Liner	3 000	14	2" / 50	1.3	0.01	4 screw-on
060502202000	Liner	5 000	20	2" / 50	1.3	0.01	4 screw-on
060502242000	Liner	7 000	24	2" / 50	1.3	0.01	4 screw-on
060502302000	Liner	7 000	EN 13451	2" / 50	1.3	0.01	4 screw-on
060502312000	Liner	7 000	EN 13451	2" / 50	1.3	0.01	4 screw-on



White Goods

Inlet, Fittings and Main Drains

2
YEARS OF WARRANTY

Suction fittings at base of wall

Ref.	Type of pool	Flow rate	Adjustment	Connection (mm)	Weight (kg)	Vol. (m³)	qty/box
060510002000	Concrete	12000	0 -100%	2" / 50	2.5	0.005	2
060511002000	Liner	12000	0 -100%	2" / 50	0.8	0.003	2

* Models with inserts and screws in stainless steel 304, specific to reinforced liners.



Suction fittings (counter-current swimming)

Grating ø 162 mm. For flow rates equal to or greater than 45 m³/h, install 2 suction fittings

Ref.	Type of pool	Connec-tion (mm)	Weight (kg)	Vol. (m³)	qty/box
062630100000	Concrete	63 / 2.5"	0.3	0.001	1
062630300000	Fibreglass or Liner	63 / 2.5"	0.3	0.001	1

Vacuum fittings

Ref.	Type of pool	Vacuum connection, poolside, Ø 1 1/2"	For adapter model	Plug	Tubing connection Ø (mm)	Weight (kg)	Vol. (m³)	C.S.U.
060600020000	Concrete	Screw-on	RCR38	Thread 1 1/2"	2" / 50	1.5	0.01	4
060610020000	Liner	Screw-on	RCR38	Thread 1 1/2"	2" / 50	1.5	0.01	4
060620020000	Liner	Screw-on	RCR38	Thread 1 1/2"	2" / 50	1.5	0.01	4
060600150000	Concrete	Screw-on	RCR38	Thread 1 1/2"	50 / 40	1.5	0.01	4
060600164000	Concrete	Screw-on	RCR38	Thread 1 1/2"	63 (PN10)	1.2	0.01	4

* Models with inserts and screws in stainless steel 304, specific to reinforced liners.



Ref.	Type of pool	Vacuum connection, poolside, Ø 1 1/2"	For adapter Model	Plug	Tubing connection Ø (mm)	Weight (kg)	Vol. (m³)	C.S.U.
060601020000	Concrete	Pressure	RCP38	Rotating lid	2" / 50	1.6	0.01	4
060601150000	Concrete	Pressure	RCP38	Rotating lid	50 / 40	1.6	0.01	4

* Models with inserts and screws in stainless steel 304, specific to reinforced liners.



• Main drains for residential pools

Ref.	Type of pool	Flow rate l/h	Connection Ø	Weight (kg)	Vol. (m³)	C.S.U.
060201000000	Concrete	13000	2"	3.5	0.044	1
060202000000	Liner	13000	2"	3.5	0.044	1
060203000000	Liner	13000	2"	3.5	0.044	1
060230000001	for SRP / SRPL / SRPLI	-	-	-	-	1
060230000000	Grating and faceplate for concrete	-	-	0.3	-	1

* Models with inserts and screws in stainless steel 304, specific to reinforced liners.



060201000000



INSERTS



060230000000



060202000000



060230000001

➤ Gutter drain and level regulation

Rectangular plastic grating, fixed with stainless steel screws

Ref.	Type of pool	Flow rate (l/h)	Connection Ø (mm)	Grating (mm)	Weight (kg)	Vol. (m³)	C.S.U.
060700000000	Concrete	7000	63	142x69	1.2	0.005	1



060700000000

Automatically replenishes the water lost to filter washing, to evaporation, etc.
Square frame and round lid, identical to skimmer elements

Ref.	Internal connection Ø (mm)	External connection Ø (mm)	Weight (kg)	Vol. (m³)	C.S.U.
061400000000	3 / 8"	50	6	0.074	1



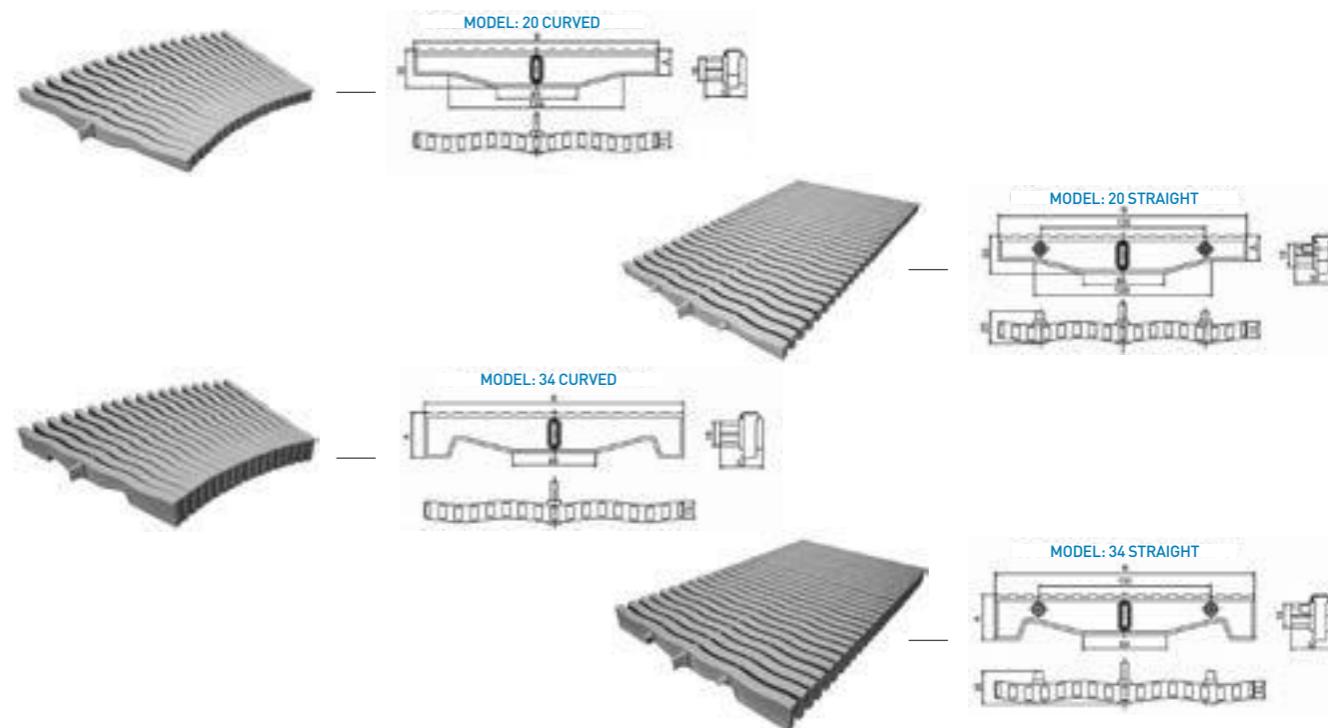
061400000000

Modular grating

- Made of polypropylene with UV-resistant treatment
- Designed to EN 13451-1
- 55 elements = 1 meter
- The modular elements, connect under applied pressure without adhesive

Ref.	Height A (mm)	Width B (mm)	Elements/box	Meters/box	Weight (kg)	Vol. (m³)	C.S.U.
OVERFLOW GRATINGS - STRAIGHT ELEMENTS (20 mm)							
061010202000	20	195	378	6.87	8.2	0.053	1
061010252000	20	245	324	5.89	8.5	0.053	1
061010302000	20	295	297	5.40	8.8	0.053	1
OVERFLOW GRATINGS - CURVED ELEMENTS (20 mm)							
061011202000	20	195	378	6.87	7.7	0.053	1
061011252000	20	245	324	5.89	8	0.053	1
061011302000	20	295	297	5.40	8.5	0.053	1
OVERFLOW GRATINGS - STRAIGHT ELEMENTS (34 mm)							
061010203400	34	195	351	6.38	8.3	0.053	1
061010253400	34	245	297	5.40	8.7	0.053	1
061010303400	34	295	270	4.90	9.4	0.053	1
OVERFLOW GRATINGS - CURVED ELEMENTS (34 mm)							
061011203400	34	195	351	6.38	7.8	0.053	1
061011253400	34	245	297	5.40	8.2	0.053	1
061011303400	34	295	270	4.90	9	0.053	1

Modular grating will be provided in complete boxes. Orders can't be done in lineal meters.



White Goods

Corner piece

2

YEARS OF WARRANTY

Corner piece for infinity pools

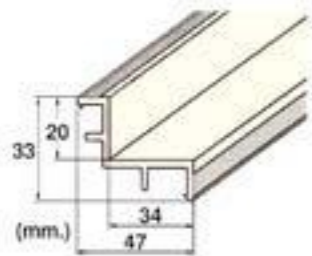
Polyester reinforced with fibreglass, white, nonslip finish



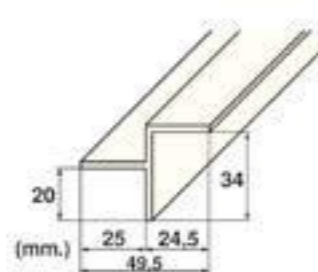
Ref.	Height (mm)	Width (mm)	Angle	Weight (kg)	Vol. (m ³)	C.S.U.
CORNER 90°						
060990202000	20	195	90°	2.7	0.006	1
060990252000	20	245	90°	3.4	0.009	1
060990302000	20	295	90°	4.6	0.012	1
060990203400	34	200	90°	3.1	0.009	1
060990253400	34	250	90°	4.1	0.013	1
060990303400	34	300	90°	5.1	0.018	1
CORNER 45°						
060945202000	20	200	45°	1.8	0.006	1
060945252000	20	250	45°	2.3	0.009	1
060945302000	20	300	45°	2.8	0.012	1
060945203400	34	200	45°	1.9	0.009	1
060945253400	34	250	45°	2.5	0.013	1
060945303400	34	300	45°	3.1	0.018	1

Grating support profile

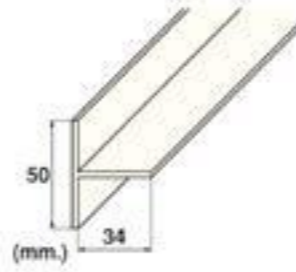
Ref.	Length /unit (mm)	Weight (kg)	Vol. (m ³)	qty./box	C.S.U.
061220000000	2 000	18	0.096	35	1
061220100000	2 000	18	0.096	35	1
061250100000	2 000	18	0.096	30	1



061220000000



061220100000



061250100000

White Goods

Counter-current equipment

2

YEARS OF WARRANTY

Equipped with:

- Swinging and adjustable nozzle 40 mm Ø (water-air)
- Front part of attractive design with built-in pneumatic push-button.
- Housing for pre-installation with check valve and air pipes.
- Electropump HCP1000 Series, power according to model.
- Electropneumatic panel for pump control and protection.
- PVC complete kit (pipe not included).
- Calipso complete front part (optional)



Complete front Part (optional)

Reference	Mask	Mod. Pump	P2 (hp)	P1 (kW)	Control panel	Weight (kg)	Vol. (m ³)
06221150000	Calipso	HCP10251E	2.5	2.3	0805KPOWSWIM230	32.8	0.184
06223150000	Calipso	HCP10301E	3	2.8	0805KPOWSWIM230	32.8	0.184
062241450000	Calipso	HCP10303E	3	2.8	0805KPOWSWIM400	32.8	0.184
062251450000	Calipso	HCP10353E	3.5	3.7	0805KPOWSWIM400	36.8	0.184
062261550000	Calipso	HCP10453E	4.5	4.3	0805KPOWSWIM400	36.8	0.184
062271550000	Calipso	HCP10553E24	5.5	4.7	0805KPOWSWIM400	43.0	0.184



White Goods

Up stream swimming accessories

2

YEARS OF WARRANTY

Up stream nozzles kit



Ref.	Swimming pool type	Ø Outlet connection (mm)	Ø Inlet connection (mm)	Weight (kg)	Volume (m³)
062610100000	Concrete	50	63 / 2 1/2"	2.1	0.009
062610200000	Polyester	50	63 / 2 1/2"	2.1	0.009
062610300000	Liner	50	63 / 2 1/2"	2.1	0.009

Inlet nozzles



Ref.	Swimming pool type	Ø Connection (mm)
062630100000	Concrete	63 / 2 1/2"
062630300000	Polyester or liner	63 / 2 1/2"

Accessories for up stream swimming



Ref.	Swimming pool type	Ø Connection (mm)	Weight (kg)	Volume (m³)
062640200000	Concrete	50 / 2"	0.3	0.001
062650300000	Polyester or liner	50 / 2"	0.3	0.001

Piezo electric pushbutton switch



Pushbutton for spas. Stainless steel AISI 316. Front screwless.

- Voltage: 1 - 24V AC / DC
- Current: 0.200 A • Resistance "ON": < 20 OHMS
- Resistance "OFF": > 5 OHMS
- Required pressure: 3 - 5N • Reaction time: 125-300 mSEC
- Operating and storage temperature: - 40°C to + 125°C

Ref.	Description	Weight (kg)	Volume (m³)
980000000040	Pushbutton switch	0.40	0.001

White Goods

Up stream swimming accessories

2

YEARS OF WARRANTY

Standard air control nozzle



Ref.	Swimming pool type	Ø Connection (mm)	Weight (kg)	Volume (m³)
062640100000	Concrete	50 / 2"	0.3	0.001
062640300000	Polyester or liner	50 / 2"	0.3	0.001

Front part for hidrojet



Ref.	Description	Series Hidrojet
062200002001	Complete front part	Calipso

Hidrojet housing



Ref.	Description
062100003000	Complete housing UNIVERSAL

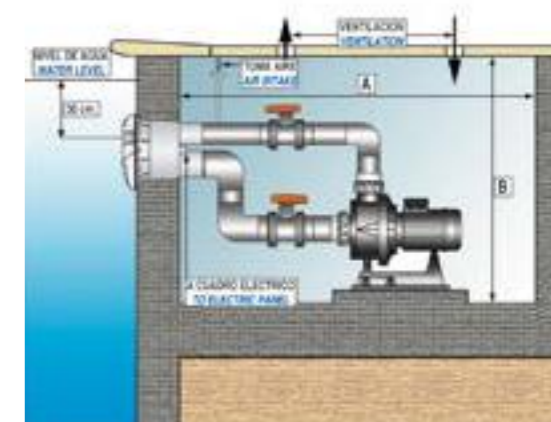
Massage kit for up stream swimming



Ref.	Hose length (mm)
062000004000	2 000

Minimum clearances for the installation

Ref.	Width (mm)	Length (mm) A	Height (mm) B
062211150000	750	1 420	1 000
062231150000 062241450000	750	1 420	1 000
062251450000	750	1 580	1 000
062261550000	750	1 580	1 000
062271550000	750	1 580	1 000



White Goods

Main Drain Gratings

2

YEARS OF WARRANTY

To avoid any risk of getting sucked in, these drain gratings must be installed in pairs.



TEMPORARILY UNAVAILABLE*

Main Drain Grating	Concrete Ref	Vinyl Ref.	Connections (mm)	Flow rate (m³/h)	Volume (m³)	Weight (kg)
355 x 355 (mm) PVC drain grating						
PVC 355 C75	060301107500	060311107500	75	19	0.035	4.2
PVC 355 C90	060301109000	060311109000	90	28	0.035	4.2
PVC 355 C110	060301111000	060311111000	110	40	0.035	4.2
355 x 355 (mm) STAINLESS STEEL drain grating (AISI 304L)						
STAINLESS 304 355 C75	060303107500	060313107500	75	19	0.035	4.2
STAINLESS 304 355 C90	060303109000	060313109000	90	28	0.035	4.2
STAINLESS 304 355 C110	060303111000	060313111000	110	40	0.035	4.23
512 x 512 (mm) STAINLESS STEEL drain grating (AISI 316L)						
STAINLESS 316 512 C110	060403110000	060413111000	110	40	0.13	11
STAINLESS 316 512 C125	060403112500	060413112500	125	52	0.13	11
STAINLESS 316 512 C140	060403114000	060413114000	140	66	0.13	11
STAINLESS 316 512 C160	060403116000	060413116000	160	89	0.13	11
STAINLESS 316 512 C200	060403120000	060413120000	200	94	0.13	11

Anti-entrapment main drain gratings to ensure bathers' safety



Anti-entrapment panel	Ref.	Dimensions (mm)	Weight (kg)	Volume (m³)
ANTI-VORTEX PANEL 250x250	060330000000	250 x 250	2.1	0.012
ANTI-VORTEX PANEL 480x480	060430000000	480 x 480	4.3	0.025



PUMPS

FILTERS

WHITE GOODS

POOL SURROUND EQUIPMENT

SANITIZATION

CLEANER

HEAT PUMPS

WARRANTIES / GSC

FOCUS ON
COMMERCIAL
POOL
SURROUND
EQUIPMENT



LADDERS



SHOWERS



SAFETY EQUIPMENT



POOL SURROUND EQUIPMENT

Global Solution for public pools

OUR RANGE OF POOL SURROUND EQUIPMENT

The hardwearing solution with a special touch.
Ladders, showers, handrails,... add the finishing touch to your pool equipment with products that have unrivalled class, and be safe in the knowledge that they will withstand use over time. Opt for greater reassurance by installing our stainless steel products, which exceed the expectations of our most discerning customers. Our design philosophy is always focused on user safety: all products in our pool surround equipment range are approved for connection to an equipotential network, whether through the anchor or through the flange, and our built-in ladders can be equipped with a double safety step to avoid accidents on the rungs. Of course, all our steps have a non-slip surface

POOL SURROUND EQUIPMENT

LADDERS	92
LADDERS ACCESSORIES	96
SHOWERS	98
OTHERS	99
WATER FEATURES	100
SURROUND EQUIPMENT LIFT CHAIRS. . . .	102
NEW COMPETITION EQUIPMENT	104



LADDERS

2

YEARS OF WARRANTY

Hard-Wearing, with an exceptional finish

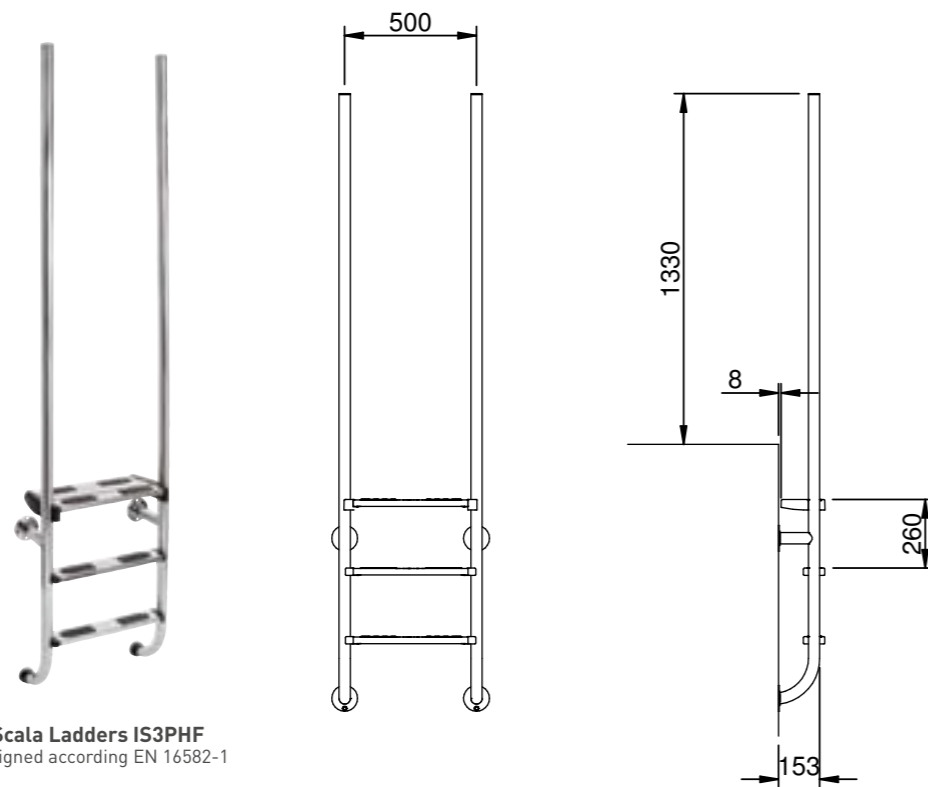
Scala Ladders

Scala, the coolest design with the highest quality level. The Hayward® Scala ladder, with its clean and stylish design, has the distinguish look that shifts the swimming pool to a premium level. Made of AISI 316 stainless steel, D43 mm handrail, shiny polished finishing, includes a double first step and non-slip pad in all the steps for a safe and comfortable user experience. Designed according EN 16582-1. Three and four steps version available.

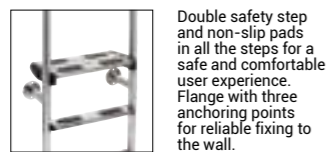
The ladder is supplied with stoppers, screws, anchors and rubber fleece for the flanges.

Item	Ref.	Stainless steel	No. steps	Weight	Vol.	qty/pallet	M.O.Q**	DIMENSIONS		
								Depth	Width	Height
070910330000F	IS3PHF	AISI 316L	2 + 1 DOUBLE	11.8 kg	0.08 m³	20	1	153 mm	500 mm	2315 mm
070910340000F	IS4PHF	AISI 316L	3 + 1 DOUBLE	13.2 kg	0.09 m³	20	1	153 mm	500 mm	2565 mm

** Minimum order quantity



Scala Ladders IS3PHF
Designed according EN 16582-1



Double safety step and non-slip pads in all the steps for a safe and comfortable user experience. Flange with three anchoring points for reliable fixing to the wall.

LADDERS

2

YEARS OF WARRANTY

Hard-Wearing, with an exceptional finish

Standard Ladders

Made of AISI 316 or AISI 304 stainless steel, D43 mm handrail, shiny polished finishing, includes non-slip pad in all the steps for a safe and comfortable use. Designed according EN 16582-1. Supplied with anchors -one of them with earth connection-, stoppers, screws and trims.

Item	Ref.	Stainless steel	No. steps	Weight	Vol.	qty/pallet	M.O.Q**	DIMENSIONS		
								Depth	Width	Height
070101320000F	PI2HF	AISI 304L	2	10 kg	0.06 m³	20	1	657 mm	500 mm	1326 mm
070101330000F	PI3HF	AISI 304L	3	11.8 kg	0.07 m³	20	1	657 mm	500 mm	1576 mm
070101340000F	PI4HF	AISI 304L	4	13.2 kg	0.08 m³	20	1	657 mm	500 mm	1826 mm
070101350000F	PI5HF	AISI 304L	5	14 kg	0.09 m³	20	1	657 mm	500 mm	2076 mm
070110320000F	IP2HF	AISI 316L	2	10 kg	0.06 m³	20	1	657 mm	500 mm	1326 mm
070110330000F	IP3HF	AISI 316L	3	11.8 kg	0.07 m³	20	1	657 mm	500 mm	1576 mm
070110340000F	IP4HF	AISI 316L	4	13.2 kg	0.08 m³	20	1	657 mm	500 mm	1826 mm
070110350000F	IP5HF	AISI 316L	5	14 kg	0.09 m³	20	1	657 mm	500 mm	2076 mm

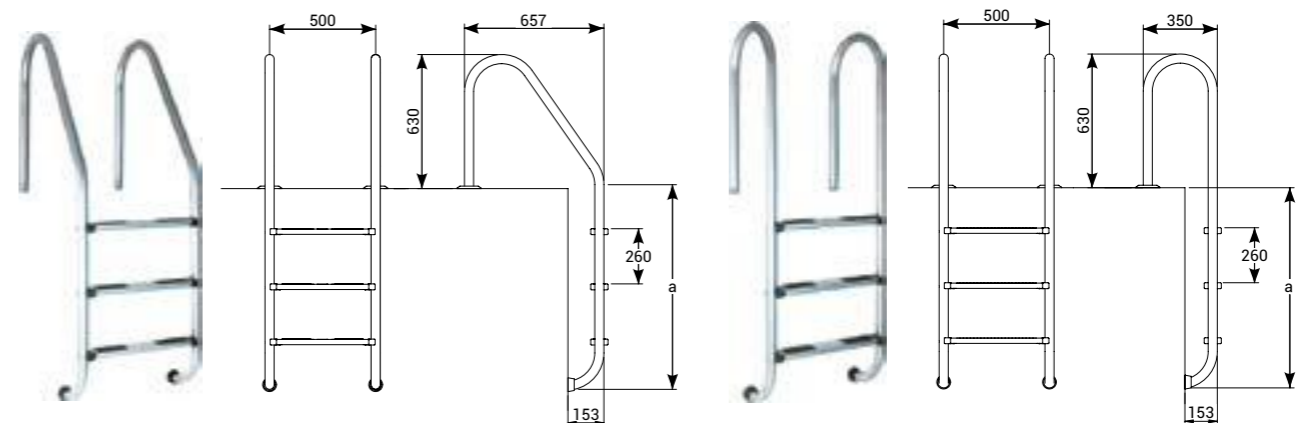
** Minimum order quantity

Straight Ladders

Made of AISI 316 or AISI 304 stainless steel, D43 mm handrail, shiny polished finishing, includes non-slip pad in all the steps for a safe and comfortable use. Designed according EN 16582-1. Supplied with anchors -one of them with earth connection-, stoppers, screws and trims.

Item	Ref.	Stainless steel	No. steps	Weight	Vol.	qty/pallet	M.O.Q**	DIMENSIONS		
								Depth	Width	Height
070210320000F	IM2HF	AISI 316L	2	11 kg	0.06 m³	20	1	350 mm	500 mm	1326 mm
070210330000F	IM3HF	AISI 316L	3	11.8 kg	0.07 m³	20	1	350 mm	500 mm	1526 mm
070210340000F	IM4HF	AISI 316L	4	13.2 kg	0.08 m³	20	1	350 mm	500 mm	1826 mm
070210350000F	IM5HF	AISI 316L	5	14 kg	0.09 m³	20	1	350 mm	500 mm	2076 mm

** Minimum order quantity



Standard Ladders - Designed according EN 16582-1

Straight Ladders - Designed according EN 16582-1

LADDERS

2

YEARS OF WARRANTY

Munich Ladders

Made of AISI 316 stainless steel, D43 mm handrail, shiny polished finishing, includes non-slip pad in all the steps for a safe and comfortable use. Designed according EN 16582-1. Supplied with anchors -one of them with earth connection-, stoppers, screws and trims.

Item	Ref.	Stainless steel	No. steps	Weight	Vol.	qty/pallet	M.O.Q**	DIMENSIONS		
								Depth	Width	Height
070410330000F	IEM3HF	AISI 316L	2 + 1 DOUBLE	13.8 kg	0.14 m ³	5	1	1000 mm	500 mm	1696 mm
070410340000F	IEM4HF	AISI 316L	3 + 1 DOUBLE	15.8 kg	0.18 m ³	5	1	1000 mm	500 mm	1946 mm
070410350000F	IEM5HF	AISI 316L	4 + 1 DOUBLE	16.8 kg	0.21 m ³	5	1	1000 mm	500 mm	2196 mm

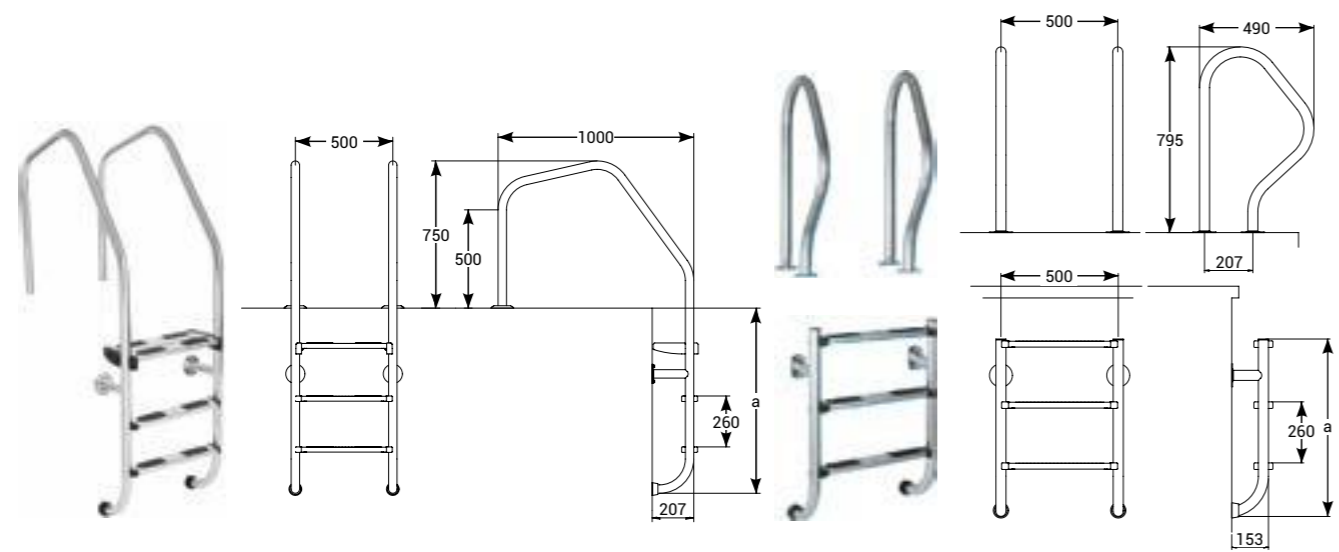
** Minimum order quantity

Two-Pieces Ladders

Made of AISI 316 stainless steel, D43 mm handrail, shiny polished finishing, includes non-slip pad in all the steps for a safe and comfortable use. Designed according EN 16582-1. Supplied with stoppers, screws, anchors and rubber fleece for the flanges.

Code	Ref.	Description	Stainless steel	No. steps	Weight	Vol.	qty/pallet	M.O.Q**	DIMENSIONS		
									Depth	Width	Height
070510320000F	PD1 HF	Exit Handrail Set	AISI 316	-	7.5 kg	0.072 m ³	-	1 (1 pair)	480 mm	500 mm	795 mm
070510330200F	IDP3-STEP	Two-Pieces-part	AISI 316	3	3.5 kg	0.036 m ³	20	1	170 mm	500 mm	765 mm
070510340200F	IDP4-STEP	Two-Pieces-part	AISI 316	4	5 kg	0.036 m ³	20	1	170 mm	500 mm	1015 mm
070510350200F	IDP5-STEP	Two-Pieces-part	AISI 316	5	6.5 kg	0.087 m ³	20	1	170 mm	500 mm	1265 mm

** Minimum order quantity



Munich Ladders

Two-Pieces Ladders

LADDERS

2

YEARS OF WARRANTY

Mixed Ladders

Item	Ref.	Stainless steel	No. steps	Weight	Vol.	qty/pallet	M.O.Q**	DIMENSIONS		
								Depth	Width	Height
070310330000F	IMX3HF	AISI 316	3	11.8 kg	0.07 m ³	20	1	350 mm	500 mm	1576 mm
070310340000F	IMX4HF	AISI 316	4	13.2 kg	0.08 m ³	20	1	350 mm	500 mm	1826 mm
070310350000F	IMX5HF	AISI 316	5	14 kg	0.09 m ³	20	1	350 mm	500 mm	2076 mm

** Minimum order quantity

Easy access Ladders

Item	Ref.	Stainless steel	No. steps	Weight	Vol.	qty/pallet	M.O.Q**	DIMENSIONS		
								Depth	Width	Height
070810230000	EAF 3	AISI 316	3	16 kg	0.19 m ³	-	1	1000 mm	500 mm	1670 mm
070810240000	EAF 4	AISI 316	4	17 kg	0.24 m ³	-	1	1000 mm	500 mm	1890 mm

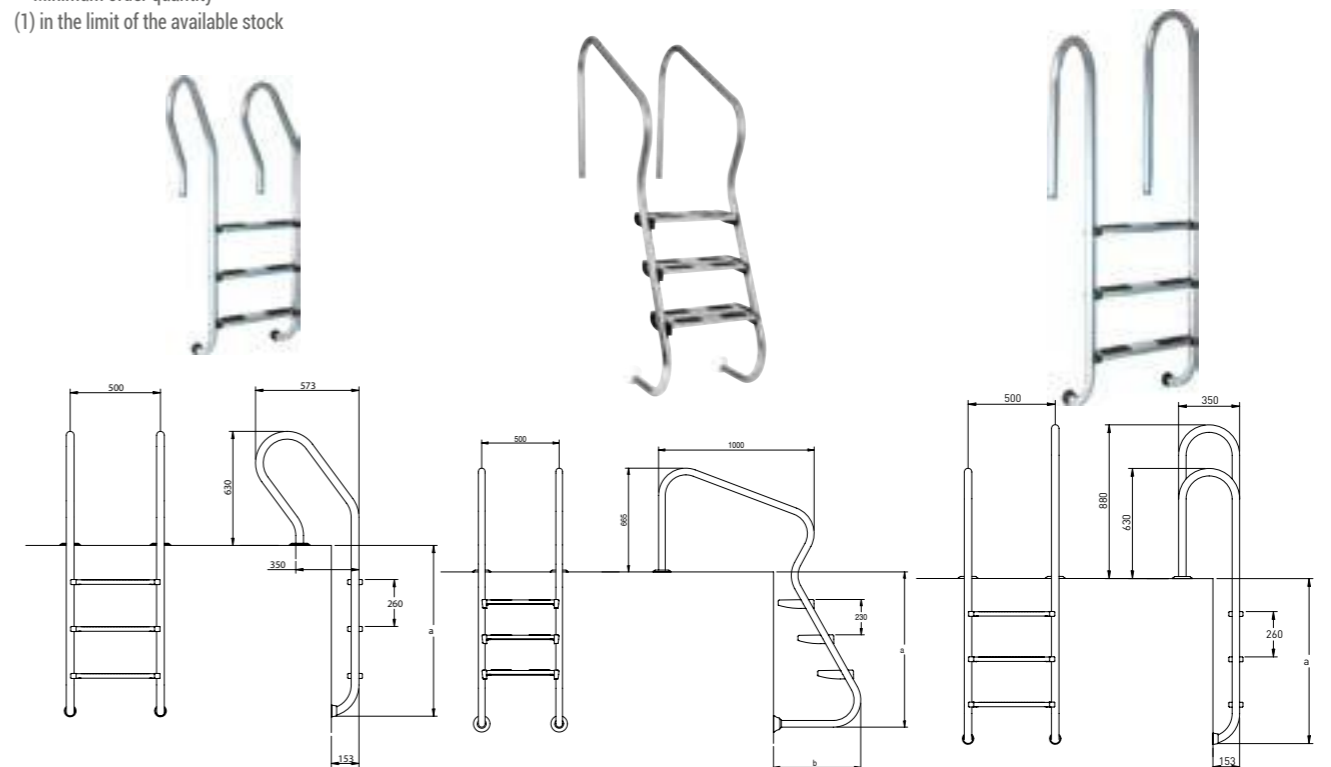
** Minimum order quantity

Asymmetric Muro Ladders⁽¹⁾

Item	Ref.	Stainless steel	No. steps	Weight	Vol.	qty/pallet	M.O.Q**	DIMENSIONS		
								Depth	Width	Height
070202330000F	MAI3HF	AISI 304	3	11 kg	0.067 m ³	20	1	350 mm	500 mm	1830 mm
070202340000F	MAI4HF	AISI 304	4	13 kg	0.076 m ³	20	1	350 mm	500 mm	2080 mm
070202350000F	MAI5HF	AISI 304	5	15 kg	0.089 m ³	20	1	350 mm	500 mm	2330 mm

** Minimum order quantity

(1) in the limit of the available stock



Mixed Ladders

Easy access Ladders

Asymmetric Muro Ladders

LADDERS

Accessories

2

YEARS OF WARRANTY

Our design philosophy is always focused on user safety: all our ladders are approved for connection to an equipotential network, whether through the anchor or through the flange, and our built-in ladders can be equipped with a double safety step to avoid accidents on the rungs. Of course, all our steps have a non-slip surface as standard.

Exit grab rails for two-part Ladders

Item	Ref.	Stainless steel	Units	Weight	Vol.	Tubing Ø	M.O.Q**
070510320000F	PD 1 HF	AISI 316	2	7.5 kg	0.072 m ³	43 mm	1

** Minimum order quantity

Universal anchors with flanges

Item	Ref.	Stainless steel	Type of anchor	Units	Height	Weight	Vol.	Tubing Ø	M.O.Q**
071501103040F	AB1HF	AISI 304	Fixed	1	150 mm	0.5 kg	0.015 m ³	40 mm	2
071501203160F	AB2HF	AISI 304	Folding	1	150 mm	0.7 kg	0.015 m ³	40 mm	2

** Minimum order quantity

Compatible with the STANDARD, STRAIGHT, ASYMMETRIC and MIXED ranges. Screws, washers, rawplugs and elastic joints included.

Safety step

Item	Ref.	Stainless steel	Weight	M.O.Q**
071502316000F	RES017F	AISI 316	1.3 kg	1

** Minimum order quantity

The safety step is made up of a pair of non-slip surfaces. Use of this type of step is recommended to avoid slips and entrapments between the ladder and the wall when getting into or out of the pool. All our ladder models are compatible with inclusion of this step. It can also be added to ladders that are already installed. Complies with European standards EN-13451-1 and EN-13451-2.

Kit for liner A-316

Item	Ref.	Stainless steel	Weight	M.O.Q**
073687100021F	Kit Liner	AISI 316	-	1 pack (2 pcs)

** Minimum order quantity



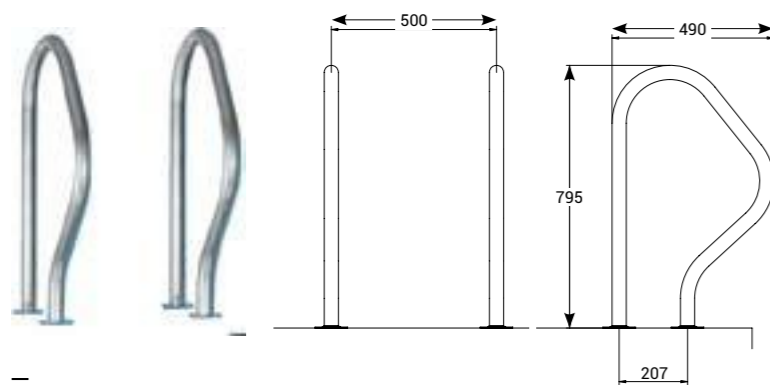
Kit for liner A-316



Sacrificial anode for ladders



Safety step



Exit grab rails for two-part Ladders

Sacrificial anode for ladders

Item	Ref.	Stainless steel	Weight	M.O.Q**
500787170020F	Ladder Anode	-	-	1

** Minimum order quantity



Universal anchors with flanges

AB 1
Allows the ladder to be removed manually without the use of tools.
AB 2
This allows the ladder to be pivoted upwards, without removing it completely, to free up the pool basin for all kinds of other operations.

LADDERS

Handrails

2

YEARS OF WARRANTY

Stainless steel grab rails

- Made of bright polished AISI 316 stainless steel
- Attachment with flanges and screws, or built-in
- Models with flanges are supplied with joints, rawplugs and screws



Code	Ref.	Stainless steel	Length A	Height B	Tubing Ø	Attachment	Weight	Vol.	M.O.Q**
073510101000F	AS101HF	AISI 316	1000 mm	112.5 mm	43 mm	Screws	2.15 kg	0,039 m ³	1
073510201000F	AS201HF	AISI 316	2000 mm	112.5 mm	43 mm	Screws	5.0 kg	0,088 m ³	1

** Minimum order quantity

Stainless steel handrails

- Made of bright polished AISI 316 stainless steel
- Attachment with flanges and screws, or built-in
- Models with flanges are supplied with joints, rawplugs and screws



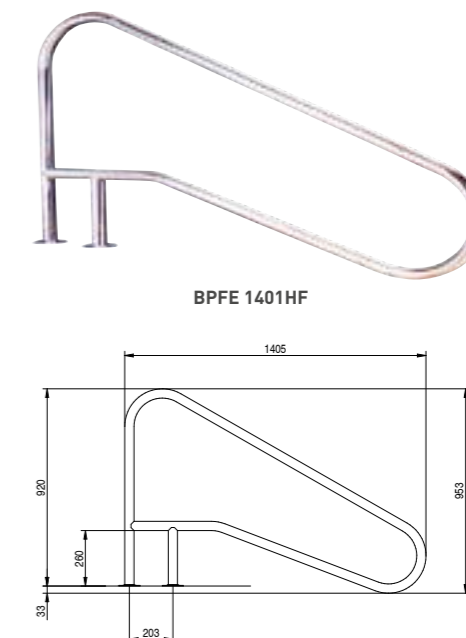
Code	Ref.	Stainless steel	Length A	Height B	Tubing Ø	Attachment	Weight	Vol.	M.O.Q**
073601120001F	BP1201	AISI 316	1219 mm	677 mm	43 mm	Screws	8,2 kg	0,136 m ³	1
073601150001F	BP1501	AISI 316	1524 mm	915 mm	43 mm	Screws	9,1 kg	0,159 m ³	1
073610123501F	BPFE 1401HF	AISI 316	1405 mm	953 mm	43 mm	Screws	8 kg	-	1

** Minimum order quantity

The BPFE handrail models are supplied with an anchor featuring a connector to an equipotential network.



BP1201



BPFE 1401HF

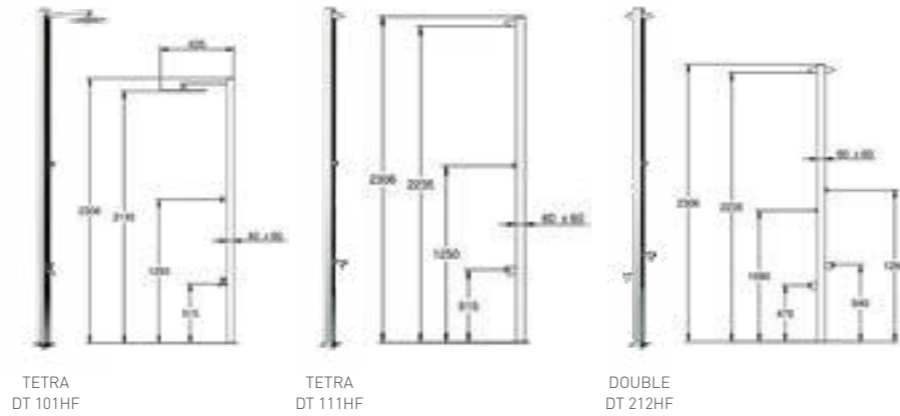
SHOWERS

2

YEARS OF WARRANTY

Tetra Showers

- Modern design with different tap versions: manual, timer, temperature mixer
- Made of bright polished AISI 304 stainless steel
- Plastic anchor with screws (included)
- Models with or without a foot wash
- Cast-in anchor for concrete available (AT60HF)



Item	Ref.	Type	Foot wash	Connection	Pipe dimensions	Stainless steel	No. shower heads	Weight	Vol.	M.O.Q**
SINGLE TETRA SHOWER										
072510310000F	DT100HF	Manual	No	1/2"	60 x 60	AISI 304	1	8 kg	0.054 m ³	1
072510330000F	DT110HF	Automatic	No	1/2"	60 x 60	AISI 304	1	8 kg	0.054 m ³	1
072510320000F	DT101HF	Manual	Yes	1/2"	60 x 60	AISI 304	1	8 kg	0.054 m ³	1
072510340000F	DT111HF	Automatic	Yes	1/2"	60 x 60	AISI 304	1	8.2 kg	0.054 m ³	1
DOUBLE TETRA SHOWER										
072520330000F	DT210HF	Automatic	No	1/2"	60 x 60	AISI 304	2	17 kg	0.09 m ³	1
072520340000F	DT212HF	Automatic	Yes	1/2"	60 x 60	AISI 304	2	17.5 kg	0.09 m ³	1

** Minimum order quantity

Baston Showers

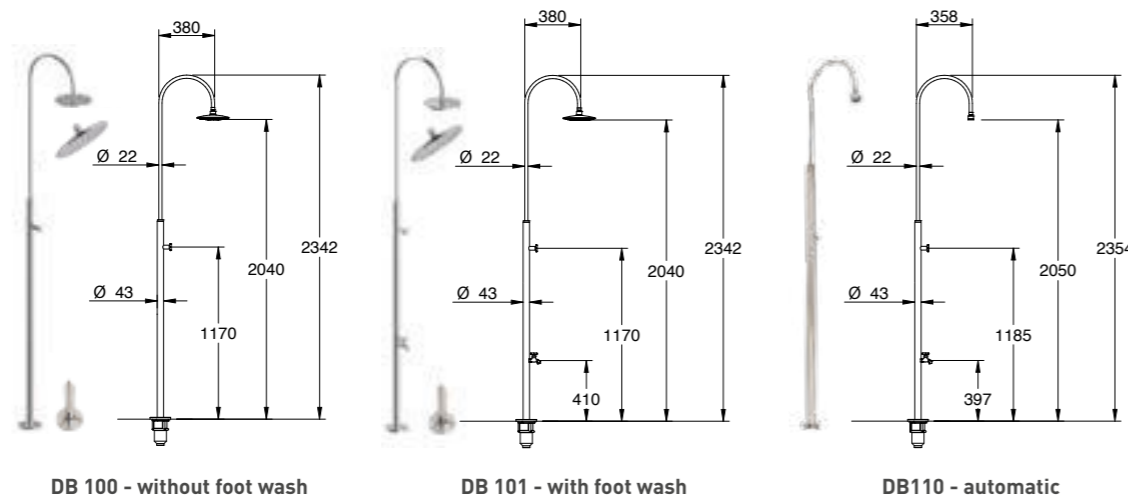
- Elegant and hard-wearing
- Version available timer tap equipped and compact shower head, specially designed for public or semi-public pools
- Anchor with integrated earthing connection

Item	Ref.	Stainless steel	Foot Wash	Connection	Tubing Ø	Weight	Vol.	M.O.Q**
072101011010F	DB100HF	AISI 304	No	1 1/2"	43 mm	15.5 kg	0.1 m ³	1
07210101010F	DB101HF	AISI 304	Yes	1 1/2"	43 mm	16 kg	0.1 m ³	1
072101011020F	DB110HF	AISI 304	No	1 1/2"	63 mm	16 kg	0.1 m ³	1
072587100939F	ADB110HF	-	-	1 1/2"	63 mm	-	-	1

** Minimum order quantity



DB63 - ADB110HF



DB 100 - without foot wash

DB 101 - with foot wash

DB110 - automatic

SHOWERS

2

YEARS OF WARRANTY

Code	Ref.	Description	Width	Height	Weight	Vol.	M.O.Q**
072590360000F	AT60HF	Anchor for single Tetra shower	130 x 130 mm	180 mm	1 kg	0.03 m ³	1
072590320000F	AT120HF	Anchor for double Tetra shower	250 x 250 mm	180 mm	1.3 kg	0.113 m ³	1

** Minimum order quantity



AT 60

AT 120

OTHER

2

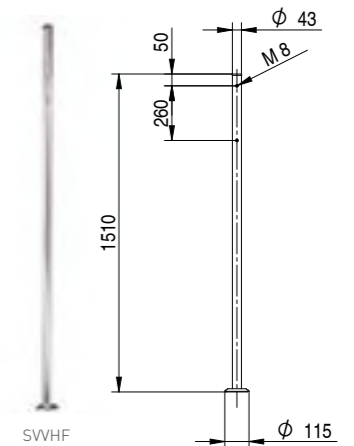
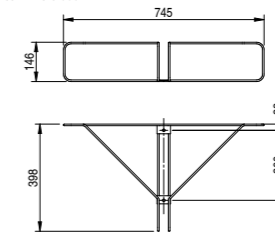
YEARS OF WARRANTY



SVP



SVSHF



SVVHF

Item	Ref.	Type	Weight	Vol.	M.O.Q**
073700000000	SVP	Life ring Ø 73	3 kg	0.055 m ³	1
073710300000F	SVSHF	Stainless steel bracket screwed to the wall	1.2 kg	0.009 m ³	1
073711300000F	SVVHF	Ø 43 x 1000 mm stand with footing	3.1 kg	0.02 m ³	1

** Minimum order quantity

WATER FEATURES

2

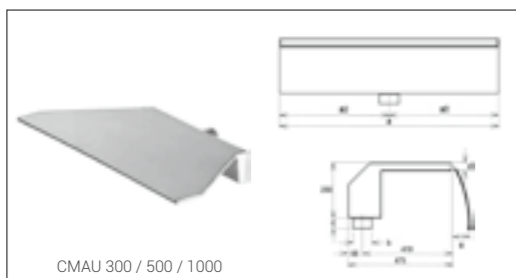
YEARS OF WARRANTY

- A touch of excellence for your pool
- Made of AISI 316 stainless steel
- All water features must be connected to an equipotential network
- The AISI 316 versions of the Bali model include a sacrificial anode to reinforce its protection against corrosion

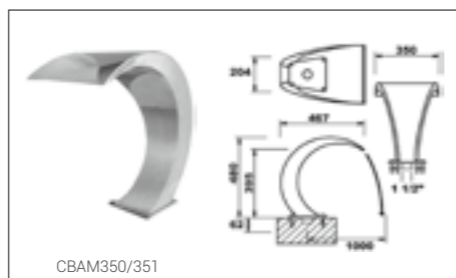


Code	Ref.	Description	Stainless steel	Anchor	Conne- ction	Flow rate	Width	Height	Weight	Vol.	M.O.Q**
074030030010	CMAU 300	MAUI Mini waterfall	316	Not required	1"	10 m³/h	300 mm	250 mm	3 kg	0.0018 m³	1
074030050010	CMAU 500	MAUI Mini waterfall	316	Not required	1"	20 m³/h	500 mm	250 mm	4 kg	0.0036 m³	1
074030100010	CMAU 1000	MAUI Mini waterfall	316	Not required	-	35 m³/h	1000 mm	250 mm	6.5 kg	0.0068 m³	1
074010035110F	CBAM350	Bali Mini waterfall	316	Not required	1-1/25"	20 m³/h	350 mm	480 mm	14 kg	0.086 m³	1
074010035101	CBAM 351	Bali Mini waterfall	304	Not required	1-1/25"	20 m³/h	350 mm	480 mm	14 kg	0.086 m³	1
074010050010	CBA 500	Bali waterfall	316 bright polished finish	Not included (CBAAN)	-	30 m³/h	500 mm	688 mm	24.8 kg	0.28 m³	1
074010050110	CBA 501	Bali waterfall	316 matt finish	Not included (CBAAN)	-	30 m³/h	500 mm	688 mm	24.8 kg	0.28 m³	1
074011105000	CBAAN	Anchor for Bali waterfall	316	-	2"	-	300 mm	200 mm	4.25 kg	0.018 m³	1
074012105000	CBAE00	Decorative feature CBA500	316 bright polished finish	-	-	-	-	-	2 kg	0.0006 m³	1
074012105001	CBAE01	Anchor for Bali waterfall	316 matt finishing	-	-	-	-	-	2 kg	0.0006 m³	1

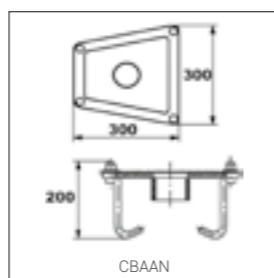
** Minimum order quantity



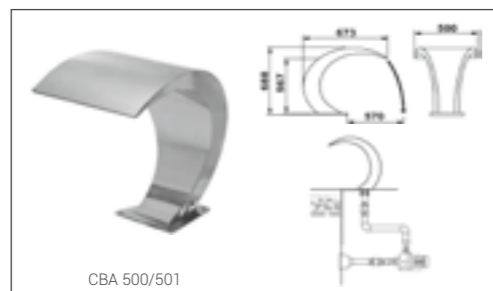
CMAU 300 / 500 / 1000



CBAM350/351



CBAAN



CBA 500/501



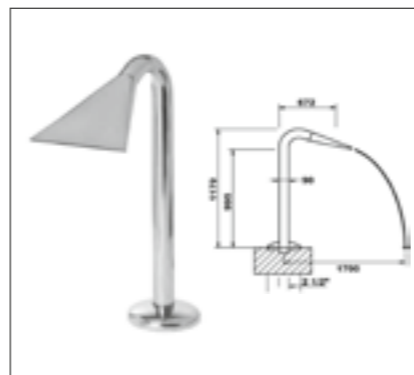
CBAE

WATER FEATURES

2

YEARS OF WARRANTY

Therapeutic cannons



CCP



CCC



CTA

Code	Ref.	Description	Stainless steel	Anchor	Conne- ction	Flow rate	Width	Height	Weight	Vol.	M.O.Q**
074101010100	CCC	Capri cannon with circular nozzle	316	Not required	2-1/2"	20	513	1189	18.3	0.27	1
074101010200	CCP	Capri cannon with flat nozzle	316	Not required	2-1/2"	22	672	1179	20	0.45	1
074103010000	CTA	Tahiti cannon	316	Not required	1-1/2" Ø 43	6	482	1100	4.6	0.06	1
074102010100	JABC	Nozzle for Tahiti	316	-	-	-	-	-	0.42	0.003	1
074102010200	JABP1	Nozzle for Tahiti	316	-	-	-	-	-	0.39	0.003	1
074102010400	JABP4	Nozzle for Tahiti	316	-	-	-	-	-	0.5	0.003	1
074102010600	JABC6	Nozzle for Tahiti	316	-	-	-	-	-	0.58	0.003	1

** Minimum order quantity

Nozzles to complete the Tahiti cannon set up

[not included with the cannon]



JABP4



JABP1



JABC6



JABC

SURROUND EQUIPMENT

Lift chairs

2

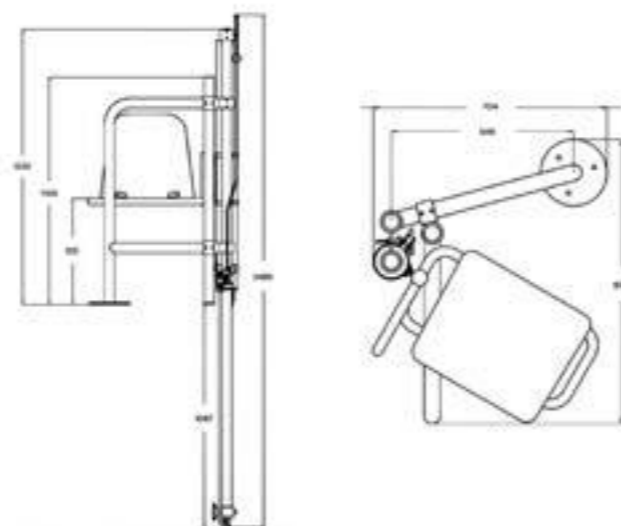
YEARS OF WARRANTY



* Non contractual photography

Hydraulic lift chair for pools

- The lift chair has been designed in order to facilitate the access to the pool for people with physical limitations. It has the following characteristics:
- Adjustable structure made in stainless steel AISI 316
- Anchor floor fixation
- Operation of the valve both from inside and outside of the pool
- Seat with safety belt, flip top arm and footrest
- Minimum required depth: 1 m



Technical specifications	160100000001
Elevation capacity	120 kg
Rotation angle	160°
Minimum pressure	3.5 kg/cm ²
Maximum pressure	5 kg/cm ²



SURROUND EQUIPMENT

Lift chairs

2

YEARS OF WARRANTY



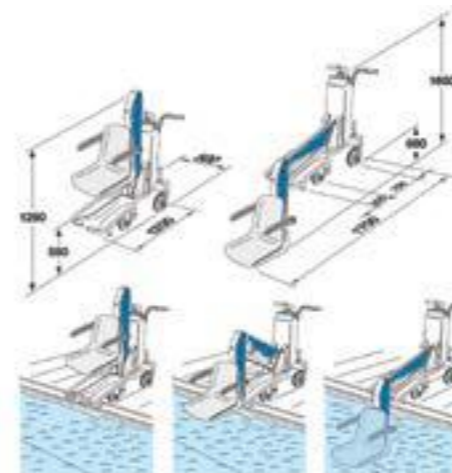
* Non contractual photography

User-friendly BlueOne lift chair for pools

- The user sits on the chair at the front
- Place the device at the pool edge and fix the safety brake.
- Otherwise, the lift will not run.
- Push the DOWN button
- For lifting the chair, push the button UP until the arm recovers
- Seat with safety belt, flip top arm and footrest
- Minimum required depth: 1 m

Features

- On/Off key and emergency stop switch
- Hand brake. The lift will only work if the brake is activated
- Emergency manual pump for use in the event of a power cut
- As the arm lowers, two steel rubber capped supports provide additional stability
- Rubber stoppers between the front and the rear wheels to prevent the lift from falling into the water



Accessories

- Cover, to protect BlueOne from the atmospheric agents
- Ramp customised to fit the edge of the pool
- Headrest, to be fitted to the lifting arm, at the back of the seat
- Automatic rubber capped supports
- 5-point harness with pelvic fastening for serious disabilities
- Emergency hand pump
- External battery charger

Technical specifications	160200000001
Lifting capacity	120 kg
Max. travel	1 150 mm
Loaded down-lifting time	23 sec
Loaded up-lifting time	17 sec
Total weight	120 kg
Rechargeable battery	24 Volts
Voltage	12 Volts

Directive 93/42/CEE - Medical Device-DM351258/R
 Directive 2006/42/CD - Machine Directive
 Directive 2004/108/EC - EMC Electromagnetic Compatibility

COMPETITION EQUIPMENT

Floating lanes

2
YEARS OF WARRANTY

COMPETITION EQUIPMENT

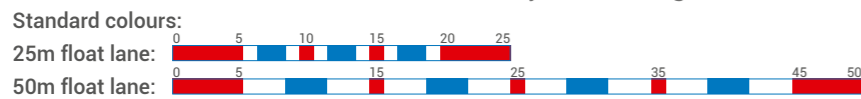
Floating lanes

2
YEARS OF WARRANTY

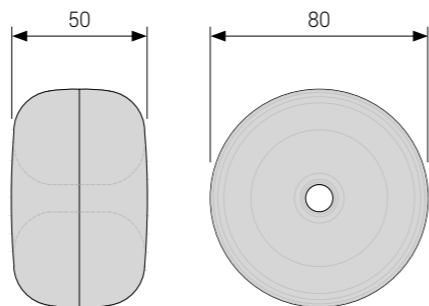
Floating lane: Roma



- Suitable model for leisure, childs and training pools
- Roma model manufactured with Roma floats of 80mm diameter according AENOR UNE-EN 13451 -5 and FINA Norms
- Some of their advantages are: Easy to carry, better for child, perfect for lane separations
- Rope manufactured with HDPE according to norm ASTM G-154 or wire stainless steel cable with 3mm AISI 316
- 20 units: 1 linear meter, 7 colours available: white, blue, red, green, yellow, orange and black



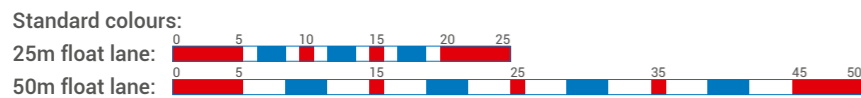
Ref.	Description
HCE015000	Floating lane Roma by meters with rope (snap hook not included)
HCE015000C	Floating lane Roma by meters with stainless steel cable (snap hook not included)
HCE015025	Standard floating lane Roma 25m length includes rope and snap hook
HCE015050	Standard floating lane Roma 50m length includes rope and snap hook
HCE015025C	Standrard. floating lane Roma 25m length,includes Stainless steel cable and snap hook
HCE015050C	Standrard. floating lane Roma 50m length,includes Stainless steel cable and snap hook



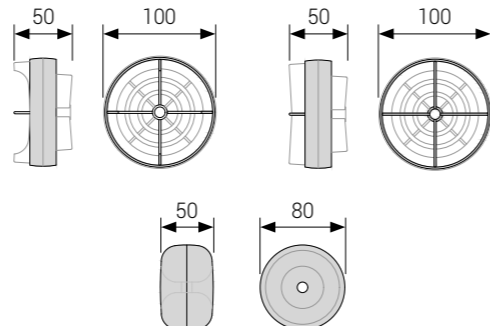
Floating lane: Moscow



- The right model for training and competition
- Moscow model is made under Roma floats of 80mm diameter and 100mm helicoids with antiwave effect. Both of them according AENOR UNE-EN 13451-5 and FINA Norms
- You can use these lanes with rope or stainless steel cable; for long lanes (50mts) with stainless steel includes Ø4mm wire as standard
- To install these lanes we recommend to use a snap hook in one side and a special tensor in the other side; (as mandatory with stainless steel cable.)
- You can choose between 5 different colours
- 23 sets represents 5 linear meters
- 5-Colours available: green, blue, yellow, white and red



Ref.	Description
HCE015100	Floating lane Moscow by meters with rope (snap hook not included)
HCE015100C	Floating lane Moscow by meters with stainless steel cable (snap hook not included)
HCE015125	Standard floating lane Moscow 25m length includes rope and snap hook
HCE015150	Standard floating lane Moscow 50m length includes rope and snap hook
HCE015125C	Standrard. floating lane Moscow 25m length,includes Stainless steel cable and snap hook
HCE015150C	Standrard. floating lane Moscow 50m length,includes Stainless steel cable and snap hook



Floating lanes: Big Moscow

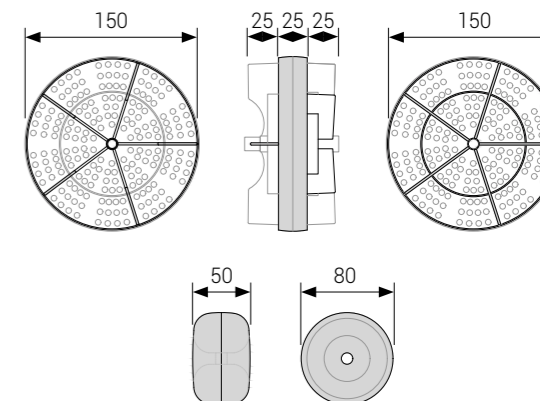
- Best model for training and competition
- Big Moscow model is made under Roma floats of 80mm diameter and 150mm helicoids with antiwave effect
- Both of them according AENOR UNE-EN 13451-5 and FINA Norms
- Stainless steel cable of 4mm AISI-316
- To fix these lanes you have to use special tensor in one of the sides.
- In the opposite side you can use a hook or a spring.
- These lanes are used in FINA and other official competitions
- You can choose between 7 different colours
- Helicoides manufactured according to FINA Norms.
- Internal spaces lower than 8 mm.



Colours: standard color according FINA Norms (blue, green, red, yellow)



Ref.	Description
HCE015200C	Floating lane Big Moscow by meters with stainless steel cable (snap hook not included)
HCE015225C	Standard floating lane Big Moscow 25m length includes Stainless steel cable and snap hook
HCE015250C	Standard floating lane Big Moscow 50m length includes Stainless steel cable and snap hook



Floating lanes range

- All floaters are manufactured according to FINA Norms
- Floaters manufactured with PEHD according to FINA Norms

Ref.	Description
HCE015501	Floater Roma - 7 colours - White, blue, red, green, yellow, orange and black
HCE015502	Floater Moscow - 7 colours - White, blue, red, green, yellow, orange and black
HCE015503	Floater Big Moscow - 7 colours - White, blue, red, green, yellow, orange and black



Floater Big Moscow

Floater Moscow

Floater Roma

COMPETITION EQUIPMENT

Rope and cables, floating lanes & anchorage

2

YEARS OF WARRANTY

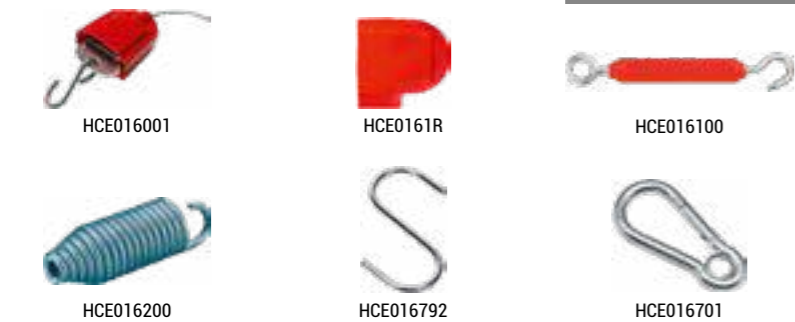
Rope and cables for floater lanes

- Cable manufactured with AISI 316 with Ø3mm or Ø4 mm
- Rope manufactured with HDPE according to Norm: ASTM G-154, allowed to be used on aquatics environments



Ref.	Description
HCE015325	Cable manufactured with Stainless Steel Ø 3 mm - 25 meters
HCE015350	Cable manufactured with Stainless Steel Ø 3 mm - 50 meters
HCE015425	Cable manufactured with Stainless Steel Ø 4 mm - 25 meters
HCE015450	Cable manufactured with Stainless Steel Ø 4 mm - 50 meters
HCE015325F	Cable sheathed manufactured with Stainless Steel - 25 meters
HCE015350F	Cable sheathed manufactured with Stainless Steel - 50 meters
HCE015400	Rope manufactured with HDPE defined for floating lanes (linear meters)

Tensor available for floating lanes



Ref.	Description
HCE016001	Tensor red defined for cable
HCE0161R	Tensor cover replacement on red colour
HCE016100	Thread tensioner
HCE016200	Electropolished stabilizing spring
HCE016792	"S" hook manufactured with stainless steel
HCE016701	Snap hook manufactured with stainless steel

Flotation lane winch

- Made in steel AISI-304.
- Under request, it can be made in stainless steel AISI-316
- Self-supporting, assembled with 4 castors (2 with brakes)
- Ref. HCE016320, width 1'20 meters
- Ref. HCE016380, width 1'80 meters



Ref.	Description
HCE016320	Lane Roma 25 meters, 8 units
	Lane Roma 50 meters, 4 units
	Lane Moscow 25 meters, 4 units
	Lane Moscow 50 meters, 2 units
	Lane Big Moscow 25 meters, 2 units
	Lane Big Moscow 50 meters, 1 unit
HCE016380	Lane Roma 25 meters, 12 units
	Lane Roma 50 meters, 6 units
	Lane Moscow 25 meters, 6 units
	Lane Moscow 50 meters, 3 units
	Lane Big Moscow 25 meters, 3 units
Lane Big Moscow 50 meters, 1 unit	

Anchorage



Ref.	Description
HCE016400	Anchorage with lid. Stainless steel AISI-316, Ø43 mm
HCE016401	Bayonet bracket. Stainless steel AISI-316, Ø43 mm
HCE016402	Bayonet anchorage. Stainless steel AISI-316, Ø43 mm
HCE016402F	Finnish slanting anchorage. Stainless steel AISI-316, Ø43 mm
HCE016403	Cup anchorage for wall. Stainless steel AISI-316, Ø43 mm
HCE016403L	Cup anchorage for wall liner. Stainless steel AISI-316, Ø43 mm
HCE016501	Anchorage single floating lane. Stainless steel AISI-316, Ø30 mm
HCE016600	Anchorage box style for wall. Stainless steel AISI-316

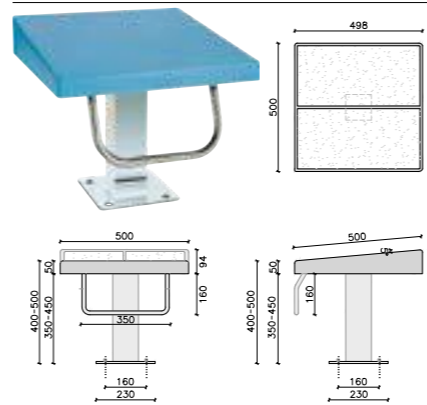
HCE016401 - Bayonet bracket. Stainless steel AISI-316, Ø43 mm.
Suitable to be assembled over next anchorages:
✓ HCE016402 - Bayonet anchorage. Stainless steel AISI-316, Ø43 mm
✓ HCE016402F - Finnish slanting anchorage. Stainless steel AISI-316, Ø43 mm

COMPETITION EQUIPMENT

Podiums

2

YEARS OF WARRANTY



Start podium square column

- Metallic elements made in stainless steel AISI-316
- Non-metallic elements made in fiberglass elements

Ref.	Description
HCE017400C	Start podium square column, height 400 mm.
HCE017500C	Start podium square column, height 500 mm.

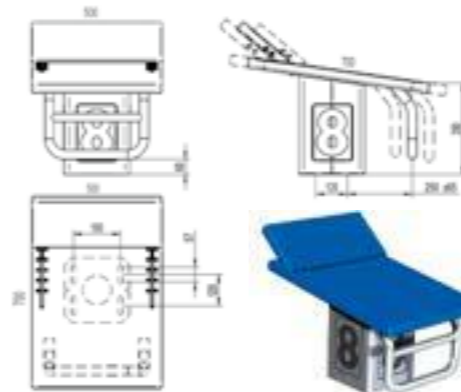
To comply with official competition averages, podiums must be mounted on a raised platform or bench



Start podium step

- Metallic elements made in stainless steel AISI-316
- Non-metallic elements made in fiberglass elements

Ref.	Description
HCE017700	Start podium, height 700 mm, with step.



7 positions competition podium, with square column

- Metallic elements made in stainless steel AISI-316.
- Non-metallic elements made in fiberglass elements.

Ref.	Description
HCE017801F	7 positions competition podium. According to FINA Norm.



Competition backstroke start

- Metallic elements made in stainless steel AISI-316.
- Non-metallic elements made in fiberglass elements.

Ref.	Description
HCE017000	Competition backstroke start PRO

Threaded anchorage in Stainless Steel

- Metallic elements made in stainless steel AISI-304.



Ref.	Description
HCE016700	Threaded anchorage

COMPETITION EQUIPMENT

Turning plates & poles

2
YEARS OF WARRANTY



Stainless steel - plastic turning plate

- Metallic elements made in stainless steel AISI-316
- Non-metallic elements made in fiberglass elements

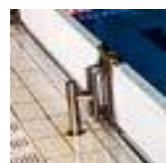
Ref.	Description
HCE017200	Turning plate in PVC, AISI-316 stainless steel frame. 2000 x 185 mm
HCE017201	Turning plate in PVC, AISI-316 stainless steel frame. 2000 x 300 mm
HCE017202	Turning plate in PVC, AISI-316 stainless steel frame. 2500 x 300 mm
HCE017203	Turning plate in PVC, AISI-316 stainless steel frame. 2500 x 185 mm

Brackets

- Metallic elements made in stainless steel AISI-316



HCFE16604



HCFE16603



HCE016402

Ref.	Description
HCE016603	Double special bracket
HCE016604	Individual special bracket
HCE016402	Bayonet anchorage. Stainless steel AISI-316, Ø43 mm

Marking full back poles

- Metallic elements made in stainless steel AISI-316
- Non-metallic elements made in PVC
- Includes plastic flags



- All poles include:
- ✓ 2 plastic pennant kits
 - ✓ 4 poles
 - ✓ 4 anchorages with lid

Ref.	Description
HCE017012ESP	Complete marking full back poles 12'5 meters
HCE017016ESP	Complete marking full back poles 16'66 meters
HCE017021ESP	Complete marking full back poles 21 meters
HCE017025ESP	Complete marking full back poles 25 meters

Complete false start poles

- Metallic elements made in stainless steel AISI-316
- Non-metallic elements made in PVC
- Includes plastic flags



- All poles include:
- ✓ 2 plastic pennant kits
 - ✓ 4 poles
 - ✓ 4 anchorages with lid

Ref.	Description
HCE017012SF	Complete false start poles 12.5 meters
HCE017016SF	Complete false start poles 16.66 meters
HCE017021SF	Complete false start poles 21 meters
HCE017025SF	Complete false start poles 25 meters

COMPETITION EQUIPMENT

Competition accessories

2
YEARS OF WARRANTY

Ref.	Description
HCE017012GP	Pennant kit 12'5 meters, made of plastic
HCE017016GP	Pennant kit 16'66 meters, made of plastic
HCE017021GP	Pennant kit 21 meters, made of plastic
HCE017025GP	Pennant kit 25 meters, made of plastic
HCE017016GT	Pennant kit 16'66 meters, made of fabric
HCE017021GT	Pennant kit 21 meters, made of fabric
HCE017025GT	Pennant kit 25 meters, made of fabric

Pennant kits

- Made of plastic or fabric.



False start floats

- HDPE rope according to ASTM G-154 Norm, special for aquatic uses.
- Floaters in HDPE according to FINA Norms.



Ref.	Description
HCE017012FL	False start floats 12'5 meters
HCE017016FL	False start floats 16'66 meters
HCE017021FL	False start floats 21 meters
HCE017025FL	False start floats 25 meters



HCFE0170PA



HCE0170PP

Posts

- Stainless steel AISI-316

Ref.	Description
HCE0170PA	Post with ring, height 180 cm, Ø43 mm (1 unit)
HCE0170PP	Post with pulley, height 180 cm, Ø43 mm (1 unit)



Depth marking plate

- Stainless steel AISI-316

Ref.	Description
HCE017100	Depth marking plate, 150 x 100 mm

COMPETITION EQUIPMENT

Waterpolo

2
YEARS OF WARRANTY

Fields

Ref.	Description
HCE0WPMLEOF	<p>Complete Waterpolo field official size for men includes:</p> <ul style="list-style-type: none"> ✓ 4 Moscow transversal float lanes 11 meters, with cable, white colour with snap hook and threaded tensor included ✓ 4 Moscow transversal float lanes 11 meters, with cable, white colour + red colour for punishment zone, with snap hook and threaded tensor included ✓ 2 Moscow longitudinal male float lanes 50 meters, with cable, with snap hook and special tensor included ✓ 1 set of Waterpolo official goals according to FINA Norms (300 x 90 cm) ✓ 1 Central service for official competition ✓ 2 Eye lets
HCE0WPFMALEOF	<p>Complete Waterpolo field official size for women includes:</p> <ul style="list-style-type: none"> ✓ 4 Moscow transversal float lanes 11 meters, with cable, white colour with snap hook and threaded tensor included ✓ 4 Moscow transversal float lanes 11 meters, with cable, white colour + red colour for punishment zone, with snap hook and threaded tensor included ✓ 2 Moscow longitudinal female lanes 50 meters, with cable, with snap hook and special tensor included ✓ 1 set of Waterpolo official goals according to FINA Norms (300 x 90 cm) ✓ 1 Central service ✓ 2 Eye lets
HCE0WPFMOF	<p>Complete Waterpolo field official size for women & men includes:</p> <ul style="list-style-type: none"> ✓ 4 Moscow transversal float lanes 11 meters, with cable, white colour with snap hook and threaded tensor included ✓ 4 Moscow transversal float lanes 11 meters, with cable, white colour + red colour for punishment zone, whit snap hook and threaded tensor included ✓ 2 Moscow longitudinal female float lanes 50 meters, with cable, with snap hook and special tensor included ✓ 2 Moscow longitudinal male float lanes 50 meters, with cable, with snap hook and special tensor included ✓ 1 set of Waterpolo official goals according to FINA Norms (300 x 90 cm) ✓ 1 Central service for official competition ✓ 2 Eye lets
HCE0WPTRAIN	<p>Complete Waterpolo field 25x12,5 meters, training includes:</p> <ul style="list-style-type: none"> ✓ 4 Roma transversal float lanes 5 meters, with rope, white colour with snap hook ✓ 4 Roma transversal float lanes 5 meters, with rope, white colour + red colour for punishment zone, with snap hook ✓ 2 Roma longitudinal float lanes 25 meters, with rope, with snap hook and threaded tensor included ✓ 1 set of Waterpolo training goals (200 x 90 cm) ✓ 1 Central service for training



Trasversal float lanes



Trasversal float lanes with punishment zone



Longitudinal float lanes



Training goal



Official goal



Central service (official competition)



Eye let



Central service training

COMPETITION EQUIPMENT

Waterpolo

2
YEARS OF WARRANTY

Goals

Ref.	Description
HCE0WP3000	Set of Waterpolo official goals according to FINA Norms 300 x 90 cm aluminium
HCE0WP2000	Set of Waterpolo training goals, Stainless steel, 200x90 cm.



Official goal



Training goal



Central service (official competition)



Eye let



Central service training

Central service

Ref.	Description
HCE0WP100	Central service for official competition
HCE0WP101	Central service for training
HCE0WP120	Eye let





SANITIZATION

Global Solution for public pools

OUR RANGE OF SANITIZATION SYSTEMS

Commercial pool sanitization is a key user-friendly feature for the success and attractiveness of the installations.

To ensure that the pool is clean at all times, irrespective of the number of bathers, it's essential to choose the right type of treatment.

The Hayward Commercial Aquatics sanitization range complies with the various existing regulatory requirements.

Our expertise in this area allows us to offer high-performance, easy-to-use and durable treatment equipment.

SANITIZATION SYSTEM

CONTROL STATION PANEL	116
TOUCH SCREEN	117
AQUARITE® HC LOW SALT	118
AQUARITE® HC	119
AQUARITE® HC OPTIONS	120
NEW AQUARITE® LTO	124
NEW AQUARITE® FLO COMMERCIAL ..	125
UV SYSTEMS	126
HCSUVMP SMART SERIES	127
HCSUVMP ECOLINE SERIES	128
HCSUVSPA SPA SERIES	129
FLOW METERS WATER METERS	130

HAYWARD® SALT CHLORINATORS

NEW



AQUARITE® FLO COMMERCIAL

NEW



AQUARITE® LTO



AQUARITE® HC

INCLUDED



Cl Production

INCLUDED



Cl Production



pH



rX

INCLUDED



Cl Production



Touch Screen



Control of the 4 auxiliary outputs



Control of filtration and VS pumps



OPTIONS



pH



rX



Cl₂



C°



Wi-Fi

HAYWARD® SALT CHLORINATORS

LOW SALT



AQUARITE® HC LS

INCLUDED



Cl Production



Touch Screen



LOW SALINITY



Control of the 4 auxiliary outputs



Control of filtration and VS pumps



OPTIONS



pH



rX



Cl₂



C°



Wi-Fi

HAYWARD® CONTROLLER RANGE



CONTROL STATION PANEL

INCLUDED



pH



DISPLAY TFT



C°



Control of the 4 auxiliary outputs



Control of filtration and VS pumps



OPTIONS



rX



Cl₂



Touch Screen



Wi-Fi

HCS SERIES

Control Station Panel



STANDARD TH
3 4
YEARS OF WARRANTY

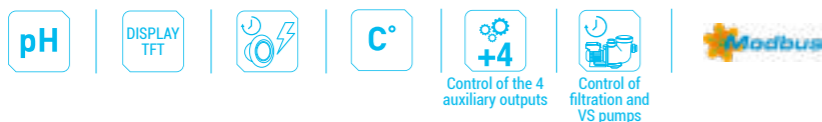


Touch Screen in option

Water treatment control system for commercial pools

- Control box, fully equipped, assembled to professional standards.
- Available in 5 versions to suit all needs.
- Continuous measurement of water parameters.
- Controlled injection for disinfection of the pool.
- Temperature probe and flow switch supplied.
- 5 auxiliary relays for control and management of filtration cycles, regulation of heating, lighting and additional equipment (outside lighting, pool features, etc.).
- Capable of controlling several salt chlorinators.
- As an option: dosing pumps, Ethernet or WiFi module, touch screen.

INCLUDED



Description	HCCPHORPA	HCCPHCLA	HCCPHCL2A	HCCPHCLORPA	HCCPHCL2ORPA
	pH + ORP + Temperature	pH + Free chlorine + Temperature	pH + Free chlorine + Temperature	pH + ORP + Free chlorine + Temperature	pH + ORP + Free chlorine + Temperature
Dimensions	700 x 600 x 175 mm				
Flow switch	Included				
Temperature probe	Included				
Probe holder	Supplied and strainer cartridge assembled to the panel (65 microns)				
Free chlorine probe	No	Amperometric	Potentiostatic	Amperometric	Potentiostatic
ORP probe	Yes	No	No	Yes	Yes
Power supply	230 V-50 Hz				
Electronic box	Fireproof black ABS plastic				
Weight	12 kg				

Description	Reference
Remote management via WiFi module (poolwatch)	RS4WI- OPTION -W
Remote management via Ethernet (poolwatch)	RS4NET-OPTION-L
Touch Screen	CTS-OPTION-TS
Peristaltic pump	KBPER (1,5 L/h)
Electromagnetic pump	KB5-5 (5 L/h) - KB10-5 (10L/h) - KB20 (20L/h)
HDMI screen visualization	RSTHDMI
Empty tank signal	AQR-PLUS-CANNE

TOUCH SCREEN



YEARS OF WARRANTY

Touch Screen

- Large intuitive screen (4,3"), easy to use
- User-friendly
- The only one removable screen in the market for an easy access
- Included AquaRite® HC Commercial*



Touch Screen



Interface



*Optional for Control Station Panel (CTS-OPTION-TS)

HCS SERIES

AquaRite® HC Low Salt

TH
STANDARD
3 **4** 8000
YEARS OF WARRANTY CELL

HCS SERIES

AquaRite® HC

TH
STANDARD
3 **4** 8000
YEARS OF WARRANTY CELL

LOW SALT



Manufactured with Polymeric products in order to prevent corrosion in technical-rooms. New housing design provides higher heating dissipation.

See all options p110-111

High-capacity Low Salt chlorination

- High-capacity salt chlorinator operating at low salt concentration combined with a pool equipment control box
- Customized domotic solution- select all your water parameters (options)
- Management of salt chlorination, pH/ORP or free chlorine
- Pool equipment control: filtration, light, temperature and 4 additional devices
- Remote management (Wi-Fi or Ethernet), multi-pool monitoring (optional solution)
- Self-cleaning cell by polarity reversal
- Master - Slave solution: available to manage any pool

Control box

Description	AQR-HC-0LSNG*	AQR-HC-1LSNG*	AQR-HC-2LSNG*	AQR-HC-3LSNG*	AQR-HC-4LS	AQR-HC-5LS	AQR-HC-6LS	AQR-HC-7LS	AQR-HC-8LS	AQR-HC-9LS
Number	1					2				
Output	6,5 V - 8 A	7,3 V - 14 A	10 V - 15,5 A	12,5 V - 12,5 A	8 V-85 A	8 V-125 A	10 V-85 A	10 V-125 A	2 x (10 V-85 A)	2 x (10 V-125 A)
Maximum production equivalent chlorine	5 g Cl/h	15 g Cl/h	25 g Cl/h	40 g Cl/h	68 g Cl/h	100 g Cl/h	140 g Cl/h	200 g Cl/h	280 g Cl/h	400 g Cl/h
Salt concentration	From 1.5 to 100 g/L NaCl									
Power	230 V - 50/60 Hz									
Dimensions	299 x 255 x 215					680 x 440 x 320				
Automatic cell cleaning	Programmable polarity reversal									
Flow switch (included)	J paddle flow switch (included)					J-IND: paddle flow switch industrial				
Cell life monitoring	Yes									
Disinfectant production control	Optional ORP									
Alarms	pH / Tank / Lack of conductivity									
Communication	Modbus RS485 integrated / Option Wi-Fi or Ethernet									
3 x 230 V relays	pH / AUX1 / AUX2									
4 additional auxiliary outputs	Filter pump / Lighting / AUX3 / AUX4									
Display	4,3" touch screen									

Cell

Description	AQR-HC-0LSNG*	AQR-HC-0LSNG*	AQR-HC-0LSNG*	AQR-HC-0LSNG*	AQR-HC-4LS	AQR-HC-5LS	AQR-HC-6LS	AQR-HC-7LS	AQR-HC-8LS	AQR-HC-9LS
Number	1					2				
Number of plates	4 (Titanium)	5 (Titanium)	7 (Titanium)	10 (Titanium)	7 (Titanium)	10 (Titanium)	13 (Titanium)	17 (Titanium)	2 x 13 (Titanium)	2 x 17 (Titanium)
Minimum flow rate	3 m³/h	5 m³/h	7 m³/h	9 m³/h	15 m³/h			20 m³/h	30 m³/h	40 m³/h
Cell support	Transparent PVC 63 mm				Transparent PVC 110 mm			Transparent PVC 140 mm	2 x transparent PVC 110 mm	2 x transparent PVC 140 mm
Connection diameter	63 mm				110 mm			140 mm	110 mm	140 mm
Cell support length	355 mm				650 mm			760 mm	2 x 650mm	2 x 760mm
Cables	(3 x 4) x 1.5 m				2 (1 x 50) x 2 m	2 (1 x 50) x 2 m	2 (1 x 50) x 2 m	2 (1 x 50) x 2 m	4 (1 x 50) x 2 m	4 (1 x 50) x 2 m
Lifespan	10 000 h									
Maximum pressure	4 bar									
Maximum temperature	45°C									

* Non contractual photography



Manufactured with Polymeric products in order to prevent corrosion in technical-rooms. New housing design provides higher heating dissipation.

See all options p110-111

Salt treatment comfort for large pools

- High-capacity salt chlorinator combined with a pool equipment control box
- Customized domotic solution- select all your water parameters (options)
- Salt chlorination management pH/Redox or free chlorine
- Works at any salt concentration including sea water
- Pool equipment control: filtration, light, temperature and 4 additional devices
- Remote management (Wi-Fi or Ethernet), multi-pool monitoring (optional solution)
- Self-cleaning cell by polarity reversal
- Master - Slave solution: available to manage any pool

Control box

Description	AQR-HC-50*	AQR-HC-85	AQR-HC-125	AQR-HC-175	AQR-HC-250	AQR-HC-350	AQR-HC-500
Number	1				2		
Output	12 V - 15 A	8 V-85 A	8 V-125 A	10 V-85 A	10 V-125 A	2 x (10 V-85 A)	2 x (10 V-125 A)
Maximum production of chlorine	50 g Cl/h	85 g Cl/h	125 g Cl/h	175 g Cl/h	250 g Cl/h	350 g Cl/h	500 g Cl/h
Salt concentration	From 3 to 100 g/L NaCl						
Power	230 V - 50/60 Hz						
Dimensions	270 x 220 X 115	680 x 440 x 320	680 x 440 x 320	680 x 440 x 320	680 x 440 x 320	680 x 440 x 320	680 x 440 x 320
Maximum weight (kg)	6	43					
Automatic cell cleaning	Programmable polarity reversal						
Flow switch (included)	J paddle flow switch	J-IND: paddle flow switch industrial					
Cell life monitoring	Yes						
Disinfectant production control	Optional ORP						
Alarms	pH / Tank/ Lack of conductivity						
Communication	Modbus RS485 integrated / Option Wi-Fi or Ethernet						
3 x 230 V relays	pH / AUX1 / AUX2						
4 additional auxiliary outputs	Filter pump / Lighting / AUX3 / AUX4						
Display	4,3" touch screen						

Cell*

Description	AQR-HC-50	AQR-HC-85	AQR-HC-125	AQR-HC-175	AQR-HC-250	AQR-HC-350	AQR-HC-500
Number	1				2		
Number of plates	10 (Titanium)	6 (Titanium)	9 (Titanium)	13 (Titanium)	17 (Titanium)	2 x 13 (Titanium)	2 x 17 (Titanium)
Minimum flow rate	11 m³/h	15 m³/h		20 m³/h		30 m³/h	40 m³/h
Cell support	Transparent PVC 50/63 mm	Transparent PVC 110 mm			Transparent PVC 140 mm	2 x transparent PVC 110 mm	2 x transparent PVC 140 mm
Connection diameter	63 mm	110 mm			140 mm	110 mm	140 mm
Cell support length	350 mm	650 mm			760 mm	2 x 650 mm	2 x 760 mm
Cables	(3 x 4) x 1.5 m	2 (1 x 50) x 2 m	2 (1 x 50) x 2 m	2 (1 x 50) x 2 m	2 (1 x 50) x 2 m	4 (1 x 50) x 2 m	4 (1 x 50) x 2 m
Lifespan	10 000 h						
Maximum pressure	4 bar						
Maximum temperature	45°C						

* Non contractual photography

AQUARITE® HC LS

AQUARITE® HC

HCS SERIES

AquaRite® HC Options

2

YEARS OF WARRANTY

HCS SERIES

AquaRite® HC Options

2

YEARS OF WARRANTY

Kits of probes



DESCRIPTION	Redox	pH	Free chlorine		Conductivity
Reference	EG-OPTION-REDOX	BG-OPTION-PH	H-OPTION-CL	H-OPTION-CL2	I-OPTION-SAL
Type of probe	Redox glass probe	pH glass probe	Amperometry (Au-Cu)	Potentiostatic	Epoxy
Measuring range	0-1 000 mV	0-14 pH	0-10 ppm	0-10 ppm	0-20,000 µS/cm
Measuring accuracy	1 mV	0.1 pH	0.1 ppm	0.1 ppm	100 µS/cm
Material	-	-	Copper / Gold	Membrane M48 /ECC1 Electrolyte	-
Probe holder	by-pass prefilter with probe holder	by-pass prefilter with probe holder	Transparent methacrylate with flow detector	Transparent methacrylate with prefilter and flow detector	Connection 1/2"
Additional equipment	Electronic chip / Buffers (465 mV, neutral)	Electronic chip / Buffers (pH7, pH10, neutral)	1 electronic chip / 2 by pass valves / 2 m of flexible tube 8-12mm	1 Electronic chip / 2 by pass valves / 2 m of flexible tube 8-12 mm / Mounting panel with prefilter	Cable 1.5 m
Connector	-	-	Inductive sensor connection	-	-

Dosing pumps



Ref	Pressure (bar)	Flow rate (L/h)	Impulsion / min	Type
KBPER	1	1.5		Peristaltic pump
KB5-5	7	3	140	Variable electromagnetic pump
	5	5		
	2	6		
KB10-5	12	4	160	Variable electromagnetic pump
	10	5		
	8	6		
	2	8		
KB20	5	20	300	Variable electromagnetic pump
	4	25		
	2	38		
	0.1	54		

Spare parts for chlorinators

Description	REF.	AQUARITE® HC							AQUARITE® HC LOW SALT									
		AQR HC-50	AQR HC-85	AQR HC-125	AQR HC-175	AQR HC-250	AQR HC-350	AQR HC-500	AQR HC-0LS NG	AQR HC-1LS NG	AQR HC-2LS NG	AQR HC-3LS NG	AQR HC-4LS	AQR HC-5LS	AQR HC-6LS	AQR HC-7LS	AQR HC-8LS	AQR HC-9LS
Cells 3.5 g/l transparent-cell holder not included	RC502016	●																
	RC85		●															
	RC125			●														
	RC175				●													
	RC250					●												
	RC350						●											
Cells 1.5 g/l transparent-cell holder not included	RC500						●											
	RCB05							●										
	RCB16								●									
	RCB332014									●								
	RCB50 2016										●							
	RCB85											●						
	RCB125												●					
	RCB175													●				
	RCB250														●			
	RCB350															●		
RCB500																●		
Transparent PVC cell holder	RCS22								●	●	●							
	RCS50											●						
	RCS125		●	●	●		●					●	●	●		●		
Cell wires	RCS250					●		●							●		●	
	RCCBT50	●										●						
Cell wires extension (with terminal)	RCCBT175		●	●	●		●					●	●	●		●		
	RCCBT250					●		●							●		●	
	RCCBT33								●	●	●							
	RCCBT75											●						
Cembre terminal	RCCBT175											●	●	●		●		
	RCCBT250														●		●	
	RCB50T		●	●	●	●	●	●				●	●	●	●	●	●	●

INTERNET OF THINGS

(IOT) - remote control through: Wi-Fi or Ethernet

Wi-Fi or Ethernet remote control management



Multi-pool monitoring to facilitate service operations from a computer or mobile phone. Download the free application to enjoy the advantages of remote management with the optional Wi-Fi or Ethernet module. Remote control management can be installed on AquaRite® Commercial Salt chlorinator systems or Control panels.

Description	Remote Control by Wi-Fi module (poolwatch)	Remote control by Ethernet (poolwatch)
Reference	RS4WI-OPTION-W	RS4NET-OPTION-L

Connectivity options

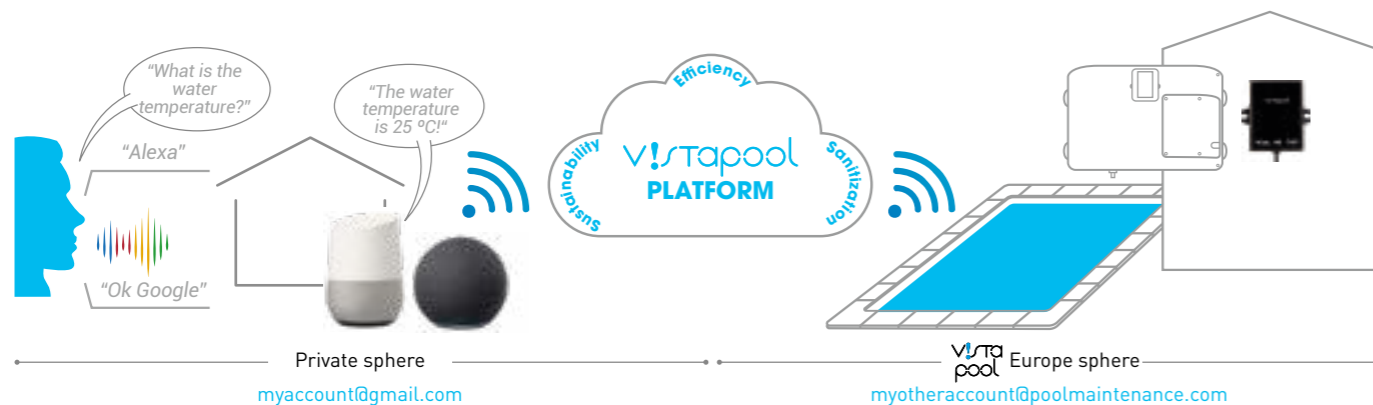


Download the "Hayward® Poolwatch" app to manage your equipment remotely using the Wi-Fi module or Ethernet.



Opportunities for pool builders

- Control your customers' pool remotely
- Save time
- Act without leaving your office
- Keep your customer's loyalty



HCS SERIES

AquaRite® LTO



3 8000 HOURS

YEARS OF WARRANTY CELL



NEW

Affordable salt chlorinator solution for commercial swimming pool

- Salt chlorinator with management pH/Redox
- Suitable for commercial pools up to 400 m³
- Flow switch included (½" connection with 110mm support collar)
- Installation kit included (110mm support collar)
- Included and already connected: pH and rX reading chip
- Master - Slave solution: available to manage any pool



Control box			
Description	AQR-LTO-95	AQR-LTO-155	AQR-LTO-200
Maximum production	95 g Cl/h	155 g Cl/h	200 g Cl/h
Salinity	From 3g to 100 g/L NaCl		
Display	2.8" removable full color TFT for remote installation (12 languages)		
Power	230 V - 50/60 Hz		
Output	8V - 100A	10V - 85A	10V - 105A
Maximum consumption	960W	1020W	1260W
Dimensions in mm	680 x 440 x 320		
Electronic box	P.E.M.D		
Protection cover	P.E.M.D		
Control	32-bit microprocessor		
Intensity regulation	Amperage + Voltage		
Ventilation	Forced		
Self-cleaning	Programmable from 1 to 24 hours		
Flow control	Flow sensor with 110mm collar and ½" connection included		
Operating hours counter	Yes, accessible by client		
Control protection	g/l		
Alarms	pH / Tank / Lack of conductivity		
Control production by cover	Yes, accessible by client		
Production by external signal	Configurable production level 0-100% depending on any external signal		
Communications	No		
Main control outputs	No		
Additional control outputs	No		

Cell			
Description	AQR-LTO-95	AQR-LTO-155	AQR-LTO-200
Saline electrolysis cell	6 titanium plates / monopolar	11 titanium plates / mixed	13 titanium plates / mixed
Minimum flow	15 m ³ /h		
Plate measurements (mm)	400 x 90		
Cell support material	Transparent PVC plastic		
Cell closure	Threaded for easy cell mounting		
Pipe connection diameter mm	110		
Cell support dimensions (mm)	650 x Ø110		
Cell cable (m)	2 cables of 2m (1x50mm ²)		
Maximum pressure	4 kg/cm ²		
Temperature	Minimum 0° / Maximum 45°C		

HCS SERIES

AquaRite® Flo Commercial



3 8000 HOURS

YEARS OF WARRANTY CELL



NEW

System dedicated for public swimming pool with in line chlorine production

- Self cleaning salt electrolysis.
- Maximum production of 250g Cl/h with one device.
- Possibility of installing several devices in a single installation.
- Could be installed and controlled as a slave unit.
- Control by TFT color screen.



Control box				
Description	AQR-FLO-95	AQR-FLO-155	AQR-FLO-200	AQR-FLO-250
Maximum production g Cl/h	95g Cl/h	155g Cl/h	200g Cl/h	250g Cl/h
Salinity	From 3 to 100 g/L NaCl			
Display	2.8" removable full color TFT for remote installation (12 languages)			
Power	230 V - 50/60 Hz			
Output	8V - 100A	10V - 85A	10V - 105A	12V - 125A
Maximum consumption	960W	1020W	1260W	1500W
Dimensions in mm	680 x 440 x 320			
Electronic box	P.E.M.D			
Protection cover	P.E.M.D			
Control	32-bit microprocessor			
Intensity regulation	Amperage + Voltage			
Ventilation	Forced			
Self-cleaning	Programmable from 1 to 24 hours			
Flow control	Flow sensor with 110mm collar and ½" connection included			
Operating hours counter	Yes, accessible by client			
Control protection	g/l			
Alarms	Lack of conductivity			
Control production by cover	Yes, accessible by client			
Production by external signal	Configurable production level 0-100% depending on any external signal			
Communications	No			
Main control outputs	No			
Additional control outputs	No			

Cell				
Description	AQR-FLO-95	AQR-FLO-155	AQR-FLO-200	AQR-FLO-250
Saline electrolysis cell	6 titanium plates / monopolar	11 titanium plates / mixed	13 titanium plates / mixed	17 titanium plates / mixed
Minimum flow	11 m ³ /h	15 m ³ /h		20 m ³ /h
Plate measurements (mm)	400 x 90			
Cell support material	Transparent PVC plastic			
Cell closure	Threaded for easy cell mounting			
Pipe connection diameter mm	110			
Cell support dimensions (mm)	650 x Ø110		760xØ140	
Cell cable (m)	2 cables of 2m (1x50mm ²)			
Maximum pressure	4 kg/cm ²			
Temperature	Minimum 0° / Maximum 45°C			

HCSUV SERIES

UV Systems for commercial pools 

2
YEARS OF WARRANTY

MADE IN EU



HCSUVMP Smart Series
Manual or Automatic system cleaning
Lamp Power Regulation and Touch Panel

UV Medium Pressure treatment system for commercial pools and spas

- A large range of UV Medium Pressure technology for commercial pools and spas
- Hayward Medium Pressure technology - stay safe and save water
- Natural sanitization
- High purity Quartz sleeve
- Manual or automatic cleaning system
- Easy and nice Touch Screen*
- Temperature control of reactor and control panel
- Settable on/off timing (power saving)
- Available coating to work with Sea water
- * Only for Smart Series



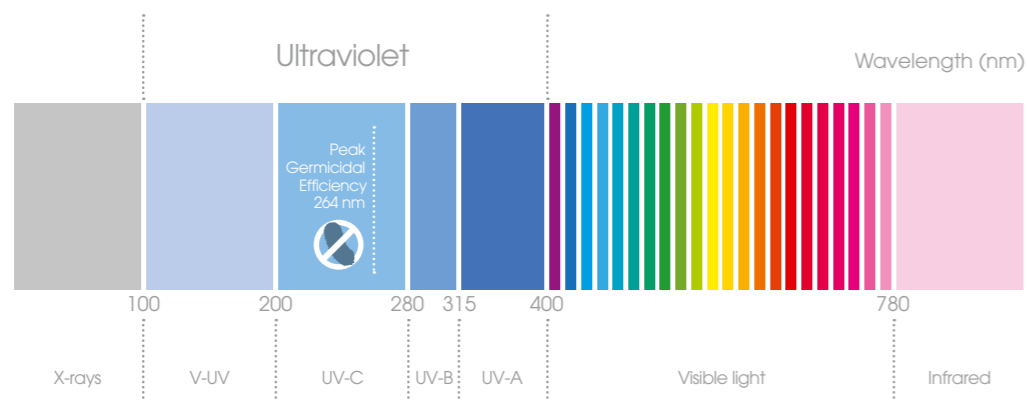
HCSUVMP Ecoline Series
Manual cleaning system



HCSUVSPA Spa Series for spas
Cleaning system not available

Why use UV in Commercial pools?

- Keep your pool "healty" through uv-MP -technology disinfection 99,9% bacteria & reduce combined chlorine in your pool



HCSUVMP SMART SERIES

UV Medium Pressure Treatment System 

2
YEARS OF WARRANTY

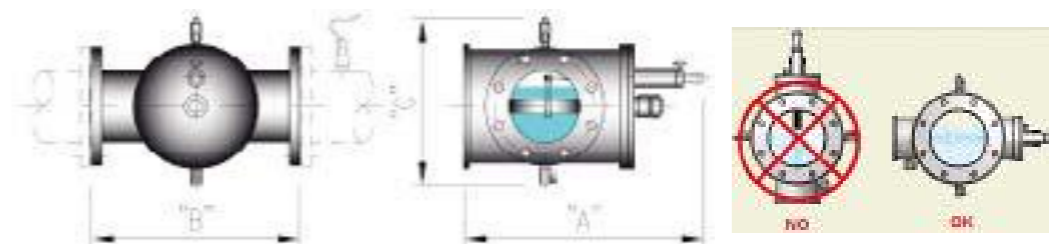
HCSUVMP Smart Series

MADE IN EU

- UV Medium Pressure treatment system for spas / Cleaning system manual or automatic

HCSUV Smart Series - Dimensions

	HCSUV35MP	HCSUV55MP	HCSUV115MP	HCSUV170MP	HCSUV290MP	HCSUV350MP	HCSUV500MP	HCSUV750MP	HCSUV1200MP
Panel Dimensions									
Height (mm)	610	720	720	720	720	800	800	1 000	1 000
Width (mm)	400	510	510	510	510	600	600	850	850
Depth (mm)	250	250	250	250	250	250	250	400	400
Reactor Dimensions									
A (mm)	465	465	575	635	635	635	635	635	840
A with auto cleaning (mm)	630	630	740	800	800	820	795	795	990
B (mm)	225	350	500	500	500	825	800	500	1 160
C (mm)	300	300	430	430	430	561	561	520	650



HCSUV Smart Series - AUTO MEDIUM PRESSURE

	HCSUV35MP	HCSUV55MP	HCSUV115MP	HCSUV170MP	HCSUV290MP	HCSUV350MP	HCSUV500MP	HCSUV750MP	HCSUV1200MP
Automatic cleaning system	HCSUV35MP	HCSUV55MP	HCSUV115MP	HCSUV170MP	HCSUV290MP	HCSUV350MP	HCSUV500MP	HCSUV750MP	HCSUV1200MP
Manual cleaning system	HCSUV35MP	HCSUV55MP	HCSUV115MP	HCSUV170MP	HCSUV290MP	HCSUV350MP	HCSUV500MP	HCSUV750MP	HCSUV1200MP
Maximum Flow rate (m³/h)	35	55	115	170	290	350	500	750	1200
UV dose	60 mJ/cm²								
Water Temperature range	5-50°C (other available on request)								
Total consumption (kW)	0.66	1.1	2.2	2.7	3.9	5.5	7.7	11.6	15.5
Mounting	Horizontal or vertical with lamp in horizontal position								
UV REACTOR									
Material	316 L Stainless Steel								
Connections	2 1/2"	DN100	DN150	DN200	DN200	DN200	DN250	DN300	DN400
Connection Type	UNI EN 1092-1 PN 10 (other on request)								
Drain & Vent Ports	1/8" / 1/2" M threaded								
Max working pressure (bar/PSI)	10 bar / 145 PSI (test 15 bar / 220 PSI)								
Protection class (IP)	IP65								
Quartz sleeve cleaning system	Manual Standard (Auto Cleaning on request HCSUVxxMPA)								
Quartz Type	High Purity Quartz Sleeves								
Chamber Options	Electropolish Upgrade / Connections Types / Sea water internal Coating								
UV LAMP									
Number	1	1	1	1	1	2	2	3	4
Lifespan	10 000 h								
Lamp power (kW)	0.6	1	2	2.5	3.5	2.5	3.5	3.5	3.5
Lamp Design	Medium Pressure								
SENSORS									
UVC selective sensor	MP1128S (included)								
Sensor Cable	Shielded cable 6 meters								
Sensor holder material	Stainless steel 316L								
Flow Meter	Provision for 4/20 mA analogue input (Flow meter not included)								
Flow Switch	Provision for digital input NO/NC (Not included)								
CONTROL PANEL									
Material	Glass fiber reinforced polyester (Single lamps models) - Painted Steel (Multi lamps models)								
Color	RAL 7035								
Protection class (IP)	IP 54								
Ambient temperature range	5 - 45°C (other available on request)								
Interface	Touch-Screen (65000 colors)								
Mains Power	400 Vac 3 PH +N +E / 230 Vac 1PH +N +E (other on request)								
Mains Frequency	50/60 Hz (other on request)								
Lamp Power Regulation	Standard								
Lamp cable length (m/ft)	6 m (other on request, max 40 m)								

HCSUVMP ECOLINE SERIES

UV Medium Pressure Treatment System



2

YEARS OF WARRANTY

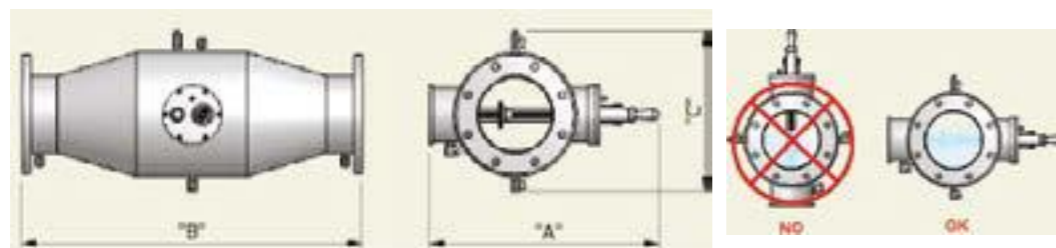
HCSUVMP Ecoline Series



- UV Medium Pressure treatment system for spas / Cleaning system manual

HCSUV Ecoline Series - Dimensions

	HCSUV35MPECO	HCSUV55MPECO	HCSUV115MPECO	HCSUV170MPECO	HCSUV290MPECO
Panel Dimensions					
Height (mm)	500	500	750	750	750
Width (mm)	400	400	400	400	400
Depth (mm)	250	250	250	250	250
Reactor Dimensions					
A (mm)	620	560	560	623	623
B (mm)	210	730	730	825	825
C (mm)	160	410	425	491	491



HCSUV Ecoline Series (Manual)

	HCSUV35MPECO	HCSUV55MPECO	HCSUV115MPECO	HCSUV170MPECO	HCSUV290MPECO
Maximum Flow rate (m³/h)	35	55	115	170	290
UV dose	60 mJ/cm²				
Water Temperature range	5-50°C (other available on request)				
Total consumption (kW)	0.66	1.1	2.2	2.7	3.9
Mounting	Horizontal or vertical with lamp in horizontal position				
UV REACTOR					
Material	316 L Stainless Steel				
Connections	2 1/2"	DN100	DN150	DN200	DN200
Connection Type	UNI EN 1092-1 PN 10 (other on request)				
Drain & Vent Ports	1/8" / 1/2" M threaded				
Max working pressure (bar/PSI)	10 bar / 145 PSI (test 15 bar / 220 PSI)				
Protection class (IP)	IP65				
Quartz sleeve cleaning system	Available only manual - ECO version				
Quartz Type	High Purity Quartz Sleeves				
Chamber Options	Electropolish Upgrade / Connections Types / Sea water internal Coating				
UV LAMP					
Number	1	1	1	1	1
Lifespan	6 000 h				
Lamp power (kW)	0.6	1	2	2.5	3.5
Lamp Design	Medium Pressure				
SENSORS					
UVC selective sensor	MP1128S (ONORM/DVGW Certified on request)				
Sensor Cable	Shielded cable 6 meters				
Sensor holder material	Stainless steel 316L				
Flow Meter	Provision for 4/20 mA analogue input (Flow meter not included)				
Flow Switch	Provision for digital input NO/NC (Not included)				
CONTROL PANEL					
Material	Glass fiber reinforced polyester (Single lamps models) - Painted Steel (Multi lamps models)				
Color	RAL 7035				
Protection class (IP)	IP 54				
Ambient temperature range	5 - 45°C (other available on request)				
Interface	LCD Display				
Mains Power	400 Vac 3 PH +N +E / 230 Vac 1PH +N +E (other on request)				
Mains Frequency	50/60 Hz (other on request)				
Lamp Power Regulation	not available in ECO Version				
Lamp cable length (m/ft)	6 m (other on request, max 40 m)				

HCSUVSPA - SPA SERIES

UV Medium Pressure Treatment System

2

YEARS OF WARRANTY

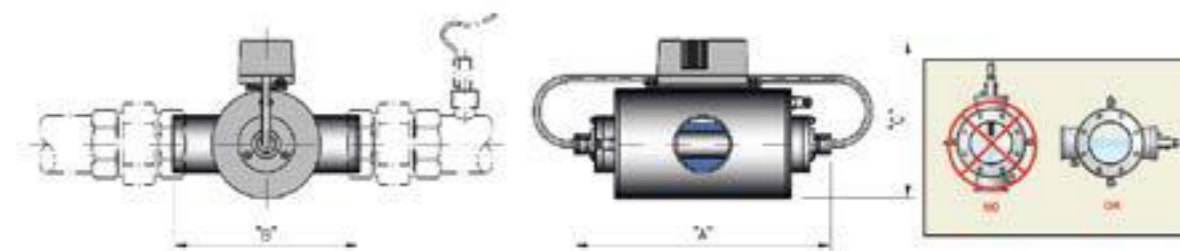
HCSUVSPA Series



- UV Medium Pressure treatment system for spas / Cleaning system not available

MODEL

Panel Dimensions	
Height (mm)	280
Width (mm)	220
Depth (mm)	150
Reactor Dimensions	
Height (mm)	280
Width (mm)	220
Depth (mm)	150



HCSUV - Spa Series

	HCSUVSPA
Maximum flow rate (m³/h)	24 m³/h
Max Spa volume	25 m³/h (min volume recirculation frequency 1,5 hr)
Water temperature range	5 - 50°C
Total power consumption	250 W
Mounting	Horizontal or vertical with lamp in horizontal position
UV REACTOR	
Material	Stainless steel 316 L
Connections	2" M
Air valve	1/8" M threaded
Max working pressure (bar/PSI)	6 bars
Protection class	IP65
Shape	Cross flow
Flow direction	Both directions
Quartz sleeve manual cleaning system	Not available
UV LAMP	
Number	1
Lifespan	6 000 h
Lamp power consumption	250 W
Type	MP lamp type
CONTROL PANEL	
Material	Painted steel
Color	RAL 9005
Protection class	IP 54
Ambient temperature range	5 - 45°C
Monitor display	Digital
Mains Power	230 V - 50/60 Hz
Lamp cable	6 m (other on request, max 40 m)

INSTRUMENTATION

Flow meters and water meters

2

YEARS OF WARRANTY

Flowmeters

- Simple installation
- A single piece of transparent methacrylate
- AISI 316 float level sensor
- Scale engraved onto the material
- Precision +/- 8%
- Temperature 80°C
- Pressure 10 bar
- Two options possible: horizontal models (CH) and vertical models (CV)



Code	Ref.	Pitot tube Ø mm	Piping Ø	Flow rate (l/h)		Weight (kg)	Vol. (m³)	Qty./box
				MIN	MAX			
214001015000	CH 15	15	50	50	350	0.3	0.0002	1
214001020000	CH 20	15	63	100	475	0.3	0.0002	1
214001025000	CH 25	15	75	150	700	0.3	0.0002	1
214001030000	CH 30	15	90	200	850	0.3	0.0002	1
214001040000	CH 40	15	110	600	1 800	0.4	0.0003	1
214002015000	CV 15	15	50	100	450	0.3	0.0002	1
214002020000	CV 20	15	63	175	675	0.3	0.0002	1

Flowmeters - multi-jet water meters

- Nominal flow rates from 1.5 to 16 m³/h
- Measurement class B. Magnetic transmission
- CE certified
- Cold water 40°C and hot water 90°C
- Maximum pressure 16 bar
- Horizontal installation
- Includes connectors
- Possible to integrate a reed switch pulse emitter, compatible with any remote reading system



Code	Ref.	DN (mm)	Connection Ø	Nominal flow rate (m³/h)	Weight (kg)	Vol. (m³)	Qty./box
214101020000	CA 20	20	1"	4	-	-	1
214101025000	CA 25	25	1 1/4"	6	1.5	0.0022	1
214101030000	CA 30	30	1 1/2"	10	2	0.0035	1
214101040000	CA 40	35	2"	16	2.1	0.0035	1
214101020001	EIA			Impulse emissions "reed"			1

INSTRUMENTATION

Flow meters and water meters

2

YEARS OF WARRANTY

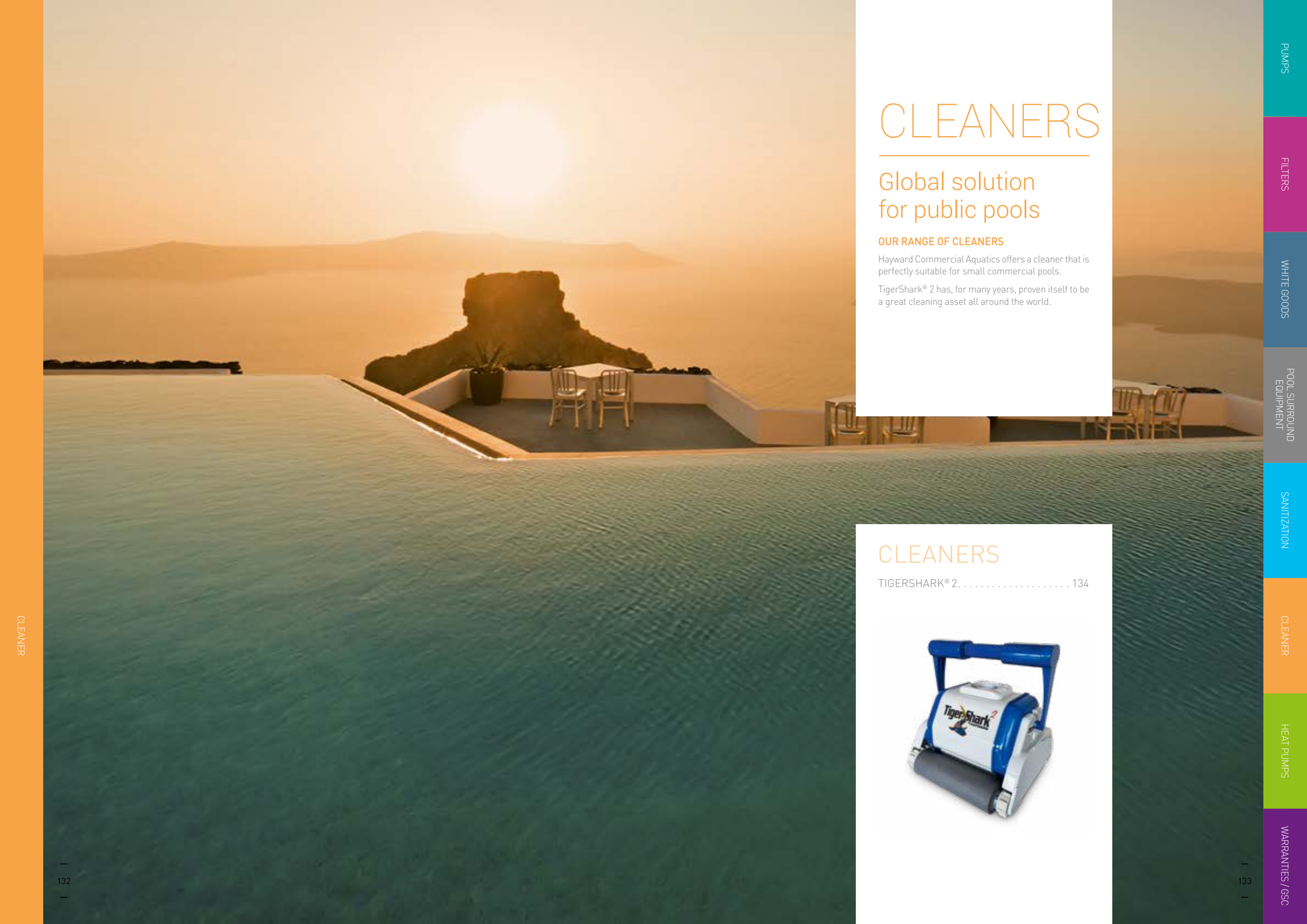
Woltmann meters

- Nominal flow rates from 0.5 to 500 m³/h
- Diameters from 50 to 200 mm
- Installed horizontally or vertically or at an angle
- CE certified
- Measurement class B
- For cold water up to 50°C
- Maximum pressure 16 bar
- Compatible with any remote reading system
- Direct totalising on numbered counters
- Equipped with "reed" switch compatible with any remote reading system



Code	Ref.	Connection Ø	Length (mm)	Flow rate (m³/h)		Weight (kg)	Vol. (m³)	Qty./box
				MIN	MAX			
214103020000	CW 20	50 / 2"	200	0.45	30	10.2	0.0073	1
214103025000	CW 25	65 / 2 1/2"	200	0.75	50	11.2	0.0084	1
214103030000	CW 30	80 / 3"	225	1.2	80	14.1	0.0099	1
214103040000	CW 40	100 / 4"	250	1.8	120	19.4	0.0147	1
214103050000	CW 50	125 / 5"	250	3	200	20.5	0.017	1
214103060000	CW 60	150 / 6"	300	4.5	300	32.5	0.0287	1
214103080000	CW 80	200 / 8"	350	7.5	500	45	0.0461	1





CLEANERS

Global solution for public pools

OUR RANGE OF CLEANERS

Hayward Commercial Aquatics offers a cleaner that is perfectly suitable for small commercial pools.

TigerShark® 2 has, for many years, proven itself to be a great cleaning asset all around the world.

CLEANERS

TIGERSHARK® 2..... 134



TIGERSHARK® 2

2

YEARS OF WARRANTY

The must-have product



- Complete floor and wall solution
- Optimised cleaning thanks to the ASCL microprocessor
- Available in foam-brush and rubber-brush versions
- Commercial pools 10 x 20 m
- Long cleaning cycle 7 h
- 30 m cable
- High-capacity easy-to-remove and clean filtration cartridge
- Suction capacity: 17 m³/h



For pool
10 m x 20 m



Robotic



Long cleaning
7 hours



30 m
cable
for easy use



Proven
& reliable
product



Best Value
for Money



Optional ergonomic
trolley RC99385.
The trolley allows
you to move and
store the cleaner
quickly and easily.



Optional start-of-
season filter. For
larger debris.
RCX70103PAK2



Easy to remove, clean
and replace filter panels
RCX70101PAK2 (included)

Technical information		RC9952FTS2 (Foam)	RC9952TS2 (Brush)
TIGERSHARK® 2	Recommended pool size (m)	10 x 20	
	Cleaning speed	5 m²/min	
	Cleaning cycle	7 hours	
	Cable length	30 m	
	Trolley (optional)	RC99385	
	Power supply	240 V/50 Hz	
	Dimensions (cm)	28 x 41 x 41	



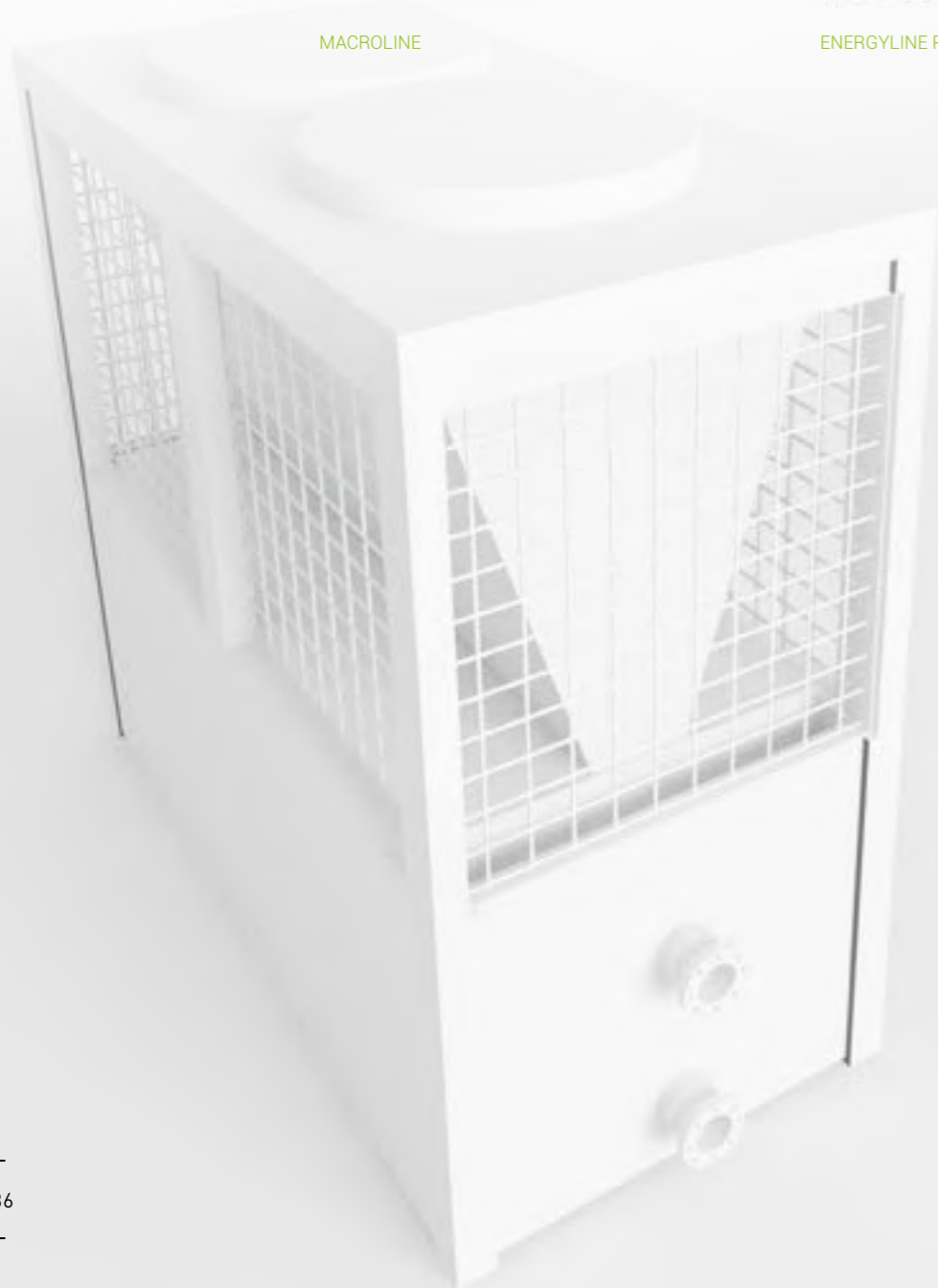
FOCUS ON
COMMERCIAL
HEAT PUMPS



MACROLINE



ENERGYLINE PRO ALL-SEASON



HEAT PUMPS

Global solution for public pools

OUR RANGE OF HEAT PUMPS

Water temperature must be kept under strict control to ensure the comfort of bathers.

The heat pump is a reliable and economical way to heat outdoor and indoor pools, during all the year.

HCH SERIES HEAT PUMPS

MACROLINE	138
ENERGYLINE PRO ALL-SEASON	139

HCH SERIES

MacroLine

2

YEARS OF WARRANTY



High-capacity heat pump

- Designed for use in all seasons, in extreme conditions at temperatures as low as -12°C
- Automatic defrost by cycle reversal
- Large and easy to use control panel
- Ideal for indoor and outdoor pools
- Reversible mode by cycle inversion to provide the best experience when temperatures are at the highest by decreasing the water temperature to a comfortable level
- COPELAND Scroll compressor
- Long lasting and anti-corrosion painted case
- Master-slave connection up to 32 units
- Titanium heat exchanger: compatible with all kind of water treatments (salt chlorinators, UV, chemical products) and highly durable



Large and easy-to-use control panel



Efficient and reliable Emerson Copeland Scroll compressor



Electronic expansion valve to optimise coolant flow rate



Description	Units	HCHVAS43	HCHVAS95
Power supply	-	400 V~/ 3 N	
Frequency	Hz	50	
Refrigerant fluid	-	R410A	
Mass of refrigerant	kg	2.6	6.5
Global warming potential	GWP	2088	
Carbon dioxide equivalence ⁽¹⁾	tCO ₂ eq	5.42	13.57
Heating capacity (Air 15°C - Hr ⁽²⁾ 71% - Water 28°C)	kW	43	96
Input power	kW	9	20
Current	A	18	37
Coefficient of performance	COP	4.53	4.79
Heating capacity (Air 24°C - Hr ⁽²⁾ 63% - Water 26°C)	kW	51	111
Input power	kW	10	21
Coefficient of performance	COP	5.36	5.35
Cooling capacity (Air 35°C - Water 30°C)	kW	29	63
Input power	kW	11	21
Current	A	20	38
Coefficient of performance	COP	2.56	2.98
Nominal water flow	m ³ /h	19	23
Hydraulic head loss (max)	kPa	26	123
Water connection	mm	63	110
Type of compressor	-	Copeland Scroll	
Air flow	-	Vertical	
Number of fans	unit	2	
Fan speed	rpm	920	700
L x W x H ⁽³⁾	mm	1490 x 1130 x 735	2175 x 2030 x 1070
Weight	kg	278	648

(1) Carbon dioxide equivalence (expressed per tonne of CO₂ equivalent) is a quantity that describes, for a given mixture and amount of greenhouse gas, the amount of CO₂ that would have the same global warming potential (GWP), when measured over a specified timescale (generally, 100 years).
 (2) Humidity.
 (3) Net dimensions of the entire unit.
 (4) For pools equipped with a heat retention cover during use from May to September.

HCH SERIES

Energy Line Pro All-Season



TH

STANDARD
3 5
YEARS OF WARRANTY



The heating solution, whatever the season

- Horizontal air flow, the standard for a large part of the installations
- Specially designed for use in all seasons and in extreme conditions at temperatures as low as -12°C
- Wi-Fi module optional to keep the control wherever you are
- The Inverter ventilator adjusts its rotation speed according to the external conditions and operates on idle to provide a super silent mode
- Real-time information on an intuitive touch screen
- Self-adaptive defrost system to optimize defrost cycles
- Reversible mode by cycle inversion to provide the best experience when temperatures are at the highest by decreasing the water temperature to a comfortable level
- Sustainable thanks to durable and high-quality selected materials
- Built with scroll compressor for unbeatable performances
- Ready to install package, our heat pumps are delivered with a winter cover, an anti-vibration pads kit, a condensate drain kit and a user manual



19cm touchscreen for easier control



Simplified electrical connection



MODULE WI-FI SMARTBOX OPTIONAL

Download the EyesPool Connect app and connect your heat pump to a smartphone, tablet or PC to view the main informations and change the temperature, operating times and operating mode parameters in real time. Code: HW26100051



Description	Unit	ENP6MASCA	ENP6TASCA	ENP7TASCA	ENP8TAS	ENP9TAS	ENP10TAS
Power supply	-	220 V-240 V ~/1 ph/50 Hz		380 V - 415 V ~/3 N/50 Hz			
Refrigerant fluid	-	R410A					
Global warming potential	GWP	2088					
Mass of refrigerant	kg	2.30	2.30	2.80	2.50	3.00	3.50
Carbon dioxide equivalence ⁽¹⁾	tCO ₂ eq	4.80	4.80	5.85	5.25	6.30	7.35
Heating capacity Air 15°C - Hr ⁽²⁾ 71% - Water 26°C	kW	17.8	18.2	23.4	24.6	30.5	36
Electrical power input	kW	3.70	3.70	5.15	5.00	6.10	6.50
Input current	A	16.2	7.7	9.7	9.8	11.6	13.3
Coefficient of performance	COP	4.8	4.9	4.6	4.8	5.1	5.5
Nominal flow rate	m ³ /h	6.6	6.6	8.0	9.3	11.5	13.5
Hydraulic connection supplied	mm	50					
Hydraulic head loss	kPa	7	7	18	11	16	14
Sound pressure level @1 m	dB(A)	73	73	75	74	75	72.5
Sound pressure level @10 m	dB(A)	45	45	47	43	44	41
Type of fan	-	DC inverter					
Number of fan(s)	unit	2					
Fan speed	rpm	600 - 950	830 - 960	800 - 1050	600 - 960	600 - 1000	600 - 1050
Silent mode	-	Yes					
Fan speed (Silent mode)	rpm	600	830	800	600	600	600
Type of compressor	brand	Sanyo		Copeland			
Winter cover (included)	ref.	HWX20000240112		HWX32015240004		HWX20000240208	
L x W x H ⁽³⁾	mm	1138 x 470 x 1264			1360 x 470 x 1280		1482 x 485 x 1480
Weight	kg	127	123	140	142	160	182
Recommended pool volume ⁽⁴⁾	m ³	≤ 70		≤ 90	≤ 100	≤ 130	≤ 145

Performance as per French standard NF EN 14511, included in NF-414 certification standard
 (1) Carbon dioxide equivalence (expressed per tonne of CO₂ equivalent) is a quantity that describes, for a given mixture and amount of greenhouse gas, the amount of CO₂ that would have the same global warming potential (GWP), when measured over a specified timescale (generally, 100 years).
 (2) Humidity.
 (3) Net dimensions of the entire unit.
 (4) For pools equipped with a heat retention cover during use from May to September.

COMMERCIAL WARRANTIES

All our products are guaranteed* against manufacturing defects for two years from the date of invoice.

Product	Standard initial warranty*
PUMPS	
HCP7200 SERIES	2 years
HCP5200 SERIES	2 years
HCP5000 SERIES	2 years
HCP4200 SERIES	2 years
HCP4000 SERIES	2 years
HCP3800 SERIES	2 years
HCP3600 SERIES	3 years
HCP1100 SERIES	2 years
HCP1000 SERIES	2 years
HCP0900 SERIES	3 years
PREFILTERS	2 years
BLOWERS	2 years
ACCESSORIES	2 years
FILTERS	
HCF STANDARD SERIES	5 years
HCF UNI-SERIES	5 years
HCF DIN SERIES	5 years
HCF BARCELONA SERIES	10 years on the tank - 3 years on equipment
SWIMCLEAR™	10 years on the tank - 5 years on equipment
WHITE GOODS	
WHITE GOODS	2 years
HIDROJET CALIPSO SERIES	2 years
MAIN DRAIN GRATINGS HCA	2 years
EQUIPMENT	
POOL SURROUND EQUIPMENT	2 years
LIFT CHAIRS	2 years
COMPETITION EQUIPMENT	2 years
SANITIZATION	
CONTROL STATION PANEL	3 years
AQUARITE® FLO COMMERCIAL	3 years / Cell : 8000 hours
AQUARITE® LTO	3 years / Cell : 8000 hours
AQUARITE® HC	3 years / Cell : 8000 hours
AQUARITE® HC LS	3 years / Cell : 8000 hours
HCSUV SMART SERIES	2 years
CLEANER	
TIGERSHARK® 2	2 years
HEAT PUMPS	
HCH SERIES - MACROLINE	2 years
ENERGYLINE PRO ALL-SEASON	3 years

* except wearing parts

List of wear parts by product line

Family	Wear parts	Estimated life
Pumps	Shaft Mechanical Seal	2 years or 10.000 hours
	Motor Bearings Kit	2 years or 10.000 hours
	Set Of Gasket (Strainer, Housing, Bulkheads, Drain)	2 years or 25.000 hours
	Capacitor	2 years or 10.000 hours
Sand filters	Filtration Element (Sand)	2 years
	Set Of Gasket (Cover, Bulkheads, Drain, Manometer, Purge)	2 years
Cartridge filters	Filtration Element (Cartridge)	1 year
	Set Of Gasket (Body Seal, Bulkheads, Drain, Manometer, Purge)	2 years
Valves	Top Valve Gaskets (Cover, Shaft)	2 years
	Side Valve Gaskets (Cover, Shaft)	2 years
White goods	Liner Set Of Gasket	2 years
	Weir Axis	2 years
Lighting	Set Of Gaskets	2 years
	Cell	2 years (t-cell) or 8000 hours
Water treatment	Ph Probe	1 year
	Redox Probe	1 year
	Pump Membrane	2 years
Chemical feeders	Pipe Kit	2 years
	Membrane	2 years
	Drive Tracks	2 years
Cleaners	Bearings	2 years
	Wheels	2 years
	Brushes	2 years
	Filters	1 year
	Gaskets	2 years
Heat pumps	Gaskets	2 years
	Capacitors	2 years

GENERAL SALES CONDITIONS

I. SCOPE

Unless otherwise agreed in writing, these terms and conditions apply to all product sales made by HAYWARD® IBERICA, S.L.U. or HAYWARD® POOL EUROPE, SAS (U) (hereinafter called "HAYWARD®" or "we" or "us" or "our") and where such an agreement exists in writing, these terms and conditions will apply where no specific provisions are contained in that agreement.

The buyer declares that it is familiar with these terms and conditions, which are systematically handed over to all buyers and which are printed in our catalogues, and accepts them willingly and unreservedly. All other terms and conditions are excluded unless they are previously agreed in writing and accepted by both parties.

Unless expressly accepted by us, we will not be bound by any opposing terms and conditions put forward by the buyer, regardless of when these are brought to our attention.

II. ORDERS

HAYWARD®'s prior confirmation is required for orders to be considered as accepted. In order to avoid errors and provide a better service, orders must be placed in writing using the product descriptions and references that appear in our catalogue or price list.

HAYWARD® reserves the right to modify our product specifications without prior notice. All images and texts are provided for illustrative purposes only and cannot be considered contractually binding unless the buyer requests otherwise in its order.

The buyer must report any error contained in the order confirmation or any missing information within a maximum of two working days and before the product is shipped. HAYWARD® reserves the right to cancel, on simple notice, any orders placed (including confirmed orders) if any outstanding sums remain unpaid.

Most of our products are items of equipment that require specialist technical knowledge for installation and commissioning. We therefore accept no responsibility if the buyer sells these items through inadequate channels.

III. PRICE AND PAYMENT METHOD

Prices are calculated according to the price list in force on the order acceptance date in accordance with the economic conditions agreed by both parties. Unless otherwise agreed in writing, prices are always understood to be ex works from our warehouses (EX WORKS, INCOTERMS 2020). Prices are stated net in euros without any deduction. Unless expressly agreed otherwise, prices do not include taxes, duties, charges, costs or surcharges, all of which will be paid by the buyer.

Payments will be made in advance by bank transfer. If another payment method is agreed, any late payment in whole or in part or any delay in the acceptance of bills of exchange will, unless expressly agreed otherwise, give rise to interest for late payment at the ECB (European Central Bank) rate applied to the most recent refinancing operation carried out before the first day of the calendar half year plus 10 points, and a fixed sum of EUR 40 will be payable as compensation.

In addition, HAYWARD® will be entitled, without the need for any prior notice or formality, to accelerate the due date of the entire outstanding debt, thus rendering the full amount payable, to halt the delivery of any items yet to be delivered, and to allocate any payment received from the customer towards the debt or towards any interest or compensation or towards debt collection costs.

Promissory notes and payment documents issued for acceptance must be returned to us with the corresponding acceptance within a period of 15 days from the invoice issue date.

IV. DELIVERY AND TRANSPORTATION

Unless expressly agreed otherwise, delivery is always for products located in our warehouses, including standard packaging, on an "EX WORKS INCOTERMS 2020" basis from the warehouse indicated in our order acceptance or invoice. The loading risk will always lie with the buyer. If the buyer does not have the means to perform loading operations, it authorises HAYWARD® to do so but the buyer retains the respective risks. Unless expressly agreed otherwise, the buyer accepts partial deliveries. For deliveries not made at our warehouses, the buyer must always request a quote for the transport costs, which HAYWARD® can charge to the buyer depending on the volume of the order, the type and characteristics of the goods, the means of transport, as well as other considerations such as urgency, country and distance.

The delivery dates stated are for guidance only and the buyer expressly agrees that it will not take any action to which it may be entitled as a result of any delay, unless the parties have entered into a prior express written agreement to the contrary which specifies both the delivery date and the consequences of non-performance in this respect. If, within one working day of notice being given that the product is available, the customer does not reply to arrange delivery or does not suggest a date different from the one proposed, the product is considered to have been made available. Unless expressly agreed otherwise, if the buyer does not collect the goods within 15 days of the date on which they are made available, they are considered to have been abandoned and HAYWARD® is free to dispose of them as it sees fit. HAYWARD® may charge the buyer up to 2% of the value of the sale as a penalty for delay, with a minimum of EUR 100 per day, as well as the costs of recycling or destroying the abandoned goods.

Goods are always carried at the buyer's risk and under its responsibility, including those that are carriage paid. Time periods for bringing actions for protection against hidden defects or warranty actions will commence from the date the goods are made available. Any defect that is visible or verifiable at the time of receiving the goods must be recorded on the carrier's delivery note and reported to HAYWARD® in writing within a maximum of 72 hours following delivery. It is the buyer's obligation to check the goods received and to notify HAYWARD® in writing of any hidden defects within 7 days. Such notifications must describe the defect or damage and provide images if possible.

If the sale is an export or intra-Community sale and the buyer arranges the transport, the buyer must hand over the necessary documentation proving that the export has taken place by including an original certificate drawn up according to the model provided by HAYWARD® within 10 days of the invoice date. If the buyer fails to do so, HAYWARD® can issue an amended invoice with the national VAT that the buyer will have to pay.

HAYWARD® retains title in the products sold until the whole of the total agreed price has been paid. The buyer is responsible for ensuring that the goods are not mixed with existing stocks and are not used by ensuring that the goods are properly identified and stored separately. HAYWARD® may demand in writing that the goods be returned at the buyer's risk and under its responsibility and may collect them directly in whole or in part. In this case, there is no presumption that the goods collected are in excellent condition. The buyer agrees to inform HAYWARD® about any payment difficulties and, if it goes into administration or liquidation or becomes insolvent, to notify the administrator or creditors or receivers about the situation regarding the goods.

V. RETENTION OF TITLE

HAYWARD® retains title in the products sold until the whole of the total agreed price has been paid. The buyer is responsible for ensuring that the goods are not mixed with existing stocks and are not used by ensuring that the goods are properly identified and stored separately. HAYWARD® may demand in writing that the goods be returned at the buyer's risk and under its responsibility and may collect them directly in whole or in part. In this case, there is no presumption that the goods collected are in excellent condition. The buyer agrees to inform HAYWARD® about any payment difficulties and, if it goes into administration or liquidation or becomes insolvent, to notify the administrator or creditors or receivers about the situation regarding the goods.

VI. WARRANTY

Our consumer products in the European Union, which are intended to be sold to consumers and users, have a warranty in accordance with the relevant consumer protection regulations.

In addition to the relevant consumer protection regulations, all residential products (excluding wear parts) enjoy a general commercial warranty against any manufacturing defects for three years as from the invoice date, with the exception of fire-fighting equipment and pressure boosters, which have a one-year warranty starting from the date on which they are commissioned with a maximum validity of 18 months from the date of our sales invoice.

We will only respond to warranty claims from our own customers, not those made by third parties. The warranty covers only the repair or replacement of defective parts on our premises or at an authorised Technical Assistance Centre (at our discretion) and does not include the costs of transportation to the repair workshop or any costs associated with travel or replacement of the item. Replaced parts have their own warranty, which has no bearing on the original product warranty. The warranty will be invalid if the buyer fails to report the warranty issue in the proper time and manner, enclosing with the product the product invoice, the delivery note specifying the date of delivery, the serial number (where available) and a description of the defect observed or if the product was not paid for in full on its due date.

Products that have a longer commercial warranty will be warranted under the terms commercially agreed and, in the absence of such terms, under the terms of our general warranty. The warranty claim must be accompanied by the policy documents or commercial promotion claimed.

The warranty will not apply if the product has been incorrectly stored, installed, commissioned or maintained, or if it has been repaired or handled by an unauthorised person or fitted with non-original parts. Similarly, damages due to wear and tear of consumable parts, or caused by electrical disturbances, external agents or force majeure, are excluded.

VII. CANCELLATIONS, RETURNS AND COMPLAINTS

Without prejudice to other penalties or actions available, HAYWARD® reserves the right to cancel or terminate any operation if these terms and conditions are breached or in the event of non-payment, delay in the payment of previously outstanding debts, declaration of insolvency, failure by the buyer to comply with free competition rules, including selling our products at a price below the actual purchase price, or where judicial or arbitration proceedings have been brought or administrative complaints have been filed for any reason between HAYWARD® and the buyer. If the operation is not terminated, as well as other compensation payable, the amount of any invoice affected by the breach will be increased by 10% by way of a non-deductible penalty. The buyer cannot cancel an accepted order (or part thereof) without HAYWARD®'s written acceptance and in that case the customer must pay a penalty equivalent to 30% of the selling price of the order (or the affected part) without prejudice to HAYWARD®'s right to claim damages.

No product returns will be accepted (except for product defects) without HAYWARD®'s prior written acceptance. If a product return is accepted for commercial, financial or legal reasons, the product must be returned at the buyer's expense, in the original packaging and in perfect condition. HAYWARD® has 30 working days as from receipt in which to inspect the product and a discount or deduction of at least 20% of the original sale value will be applied.

In the event of complaints or incidents, the buyer must contact the Customer Service Department to report the non-conformity observed with the shipment, the incident or the product defect in the time and manner set out in these general terms and conditions. The customer service team will inform the buyer about how best to proceed and what information is required. If the equipment needs to be returned, prior authorisation must be obtained and the return must be properly documented. Equipment must be returned in its original packaging and under prime transport conditions. The process may involve the buying and selling of equipment or services. At HAYWARD®'s request, products that have been returned following a complaint must be collected by the buyer. If they are not collected within 15 days of HAYWARD®'s request or within 3 months from shipment if no such request is made, they will be considered to have been abandoned and HAYWARD® will be free to dispose of them as it sees fit.

VIII. FORCE MAJEURE AND HARDSHIP

If either party is prevented or delayed from fulfilling its obligations towards the other party, it must notify the other promptly but will not be held liable or required to pay any compensation. Either party may terminate the contract by giving notice thereof within 10 working days of the initial notification.

The same will apply in the case of hardship, by which is meant any event which, being outside of the control of the affected party and unforeseeable at the time of the agreement, alters the equilibrium of the contract and results in a change in circumstances that places an excessive burden on that party in terms of the performance of its obligations. Both parties recognise that unforeseeable supply shortages, the consequences of extraordinary administrative decisions or increases in manufacturing costs which have the effect of reducing HAYWARD®'s gross profit by 10% all constitute a change in circumstances.

IX. INTELLECTUAL PROPERTY, CONFIDENTIALITY AND BUSINESS SECRETS

The buyer expressly recognises HAYWARD®'s ownership of patents, trademarks, logos, symbols, trade names and other intellectual and industrial property rights and agrees to respect them and not to limit, oppose, register or place conditions on any of them. Similarly the buyer must not file a registration application to protect rights that may arise as a result of the information provided by HAYWARD®. If any internet domains corresponding to the trademarks or names used by HAYWARD® are registered without our prior authorisation, this will be presumed to be a case of fraud and bad faith.

The buyer is obliged to keep secret and confidential any information or knowledge obtained from HAYWARD®, including technological, scientific, industrial, commercial, organisational or financial information, which is not public or necessary for the marketing of the products. The buyer undertakes to prevent any disclosure of such information and to ensure that such information is not used outside of the limits strictly agreed.

X. SEVERABILITY, JURISDICTION AND APPLICABLE LAW

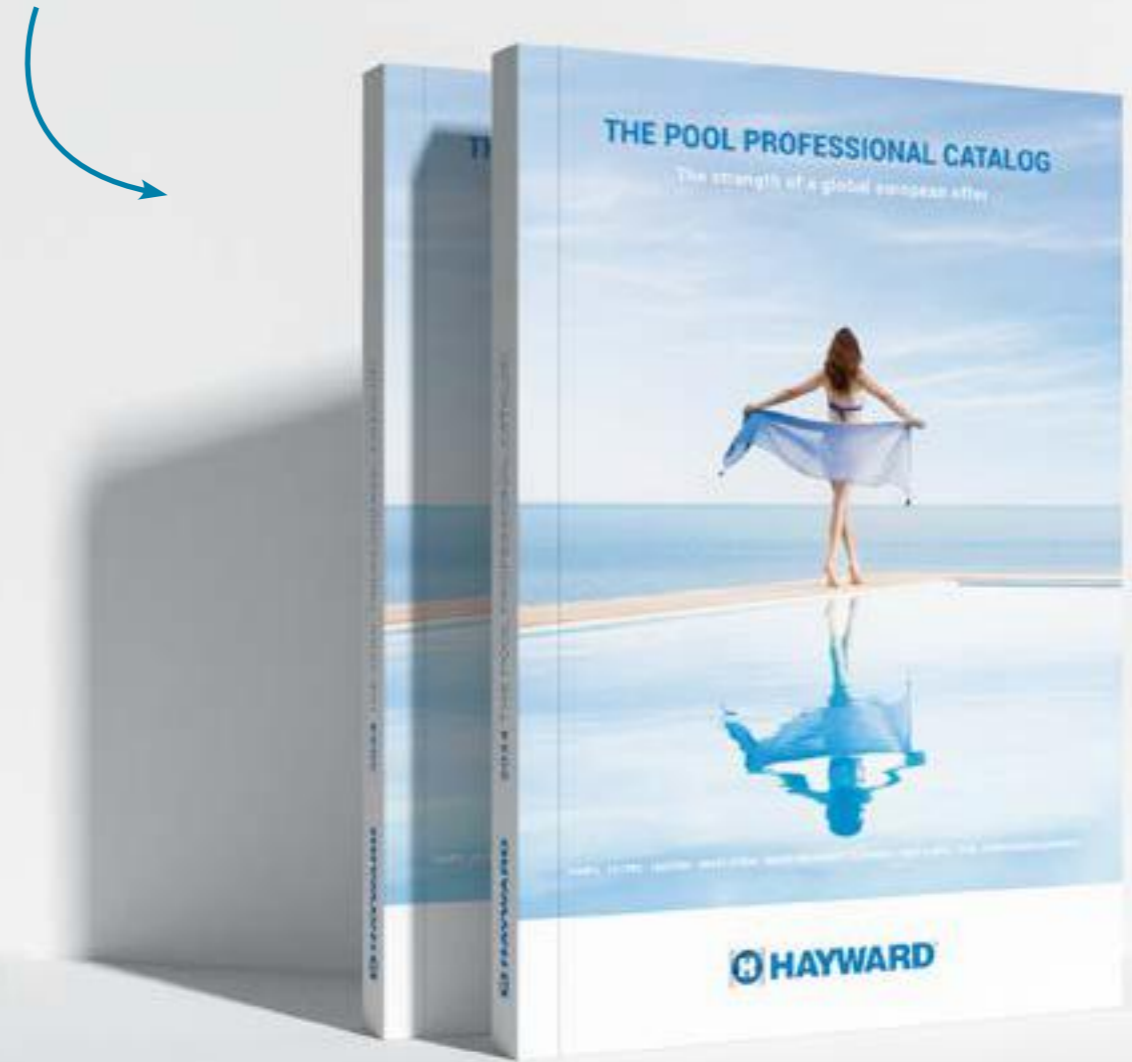
If any of these general terms and conditions is deemed invalid or null and void, this will not affect the validity of the other terms and conditions or the rest of the contractual relationship.

Any dispute, disagreement or claim arising between the parties will be referred to the exclusive jurisdiction of the courts where HAYWARD®'s registered office is located, even if there are multiple defendants or in the case of a third party notice.

We reserve the right at any time to make any changes we deem necessary to these general terms and conditions of sale.

Notes

Take a look at our
Hayward® catalog,
our range for residential pools



Hayward®, the strength of a global offer

 PUMPS	 FILTERS	 WHITE GOODS	 LIGHTING	 CLEANERS	 HEAT PUMPS	 SANITIZATION	 POOL SURROUNDING EQUIPMENT
..... FILTRATION SYSTEMS COMFORT EQUIPMENT			

2024



www.hayward-pool.co.uk





HAYWARD[®]
COMMERCIAL AQUATICS

**SPARE PARTS
PIÈCES DÉTACHÉES**

Nòmina de piezas

Lista de componentes

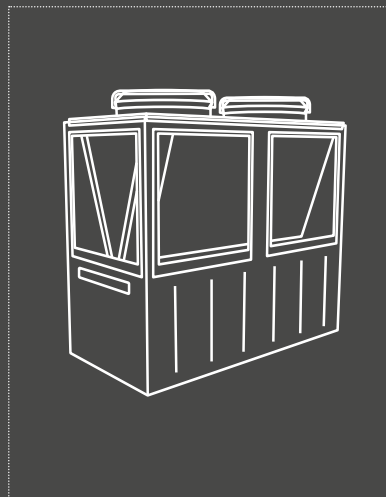
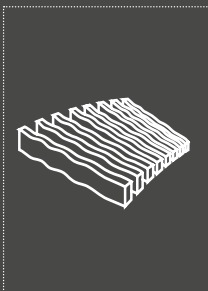
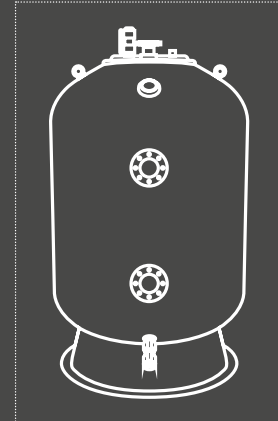
Ersatzteilliste

Onderdelenlijst

Elenco delle parti di ricambio

Запасные части

2024



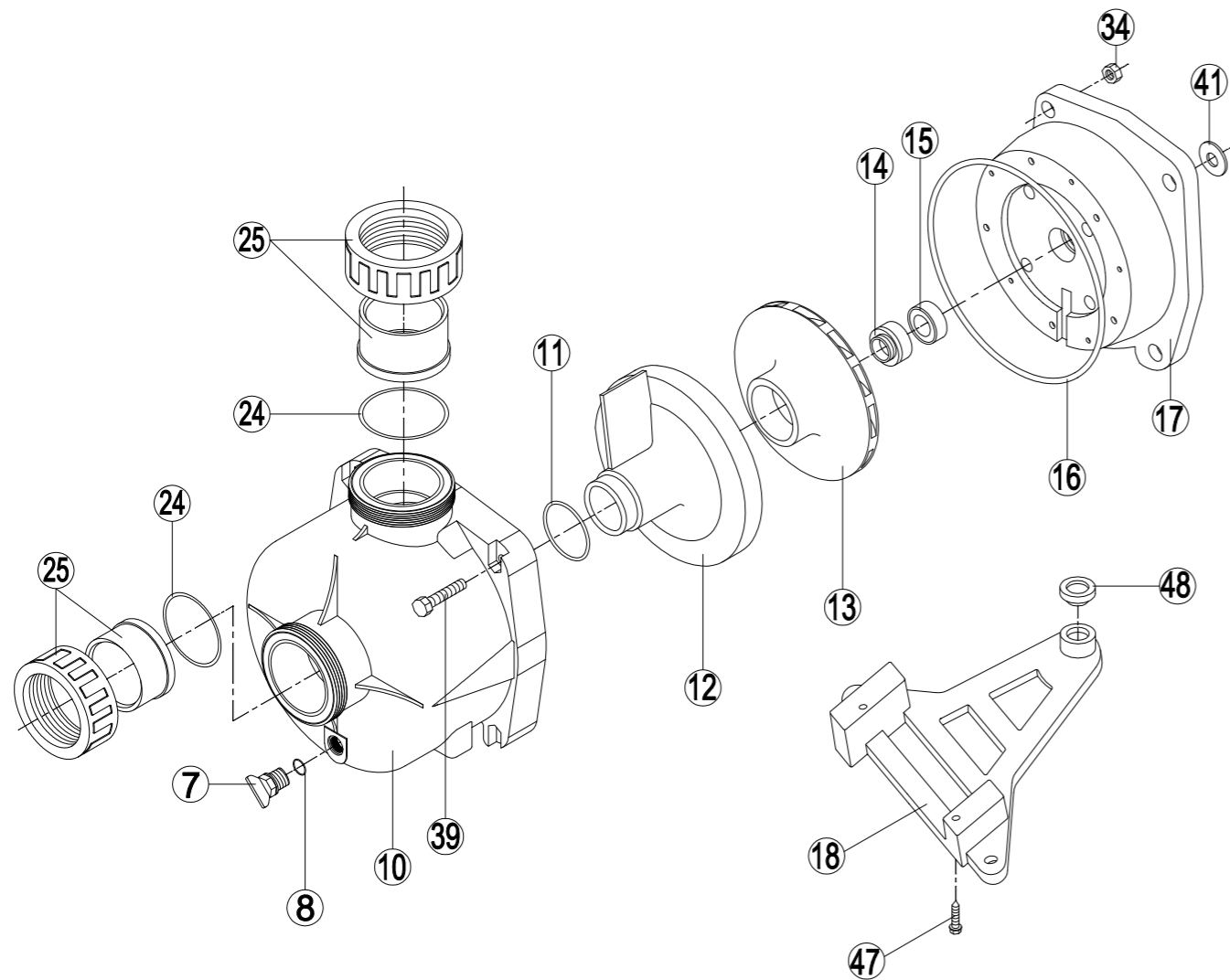
www.hayward.eu

Sommaire • Table of Contents • Inhaltsverzeichnis
 Sumario • Índice • Índice • Inhoud • Содержание

Pompes • Pumps • Pumpen • Bombas • Pompe • Bomba • Pompen • Насосы	4
HCP0900	4
HCP1000	8
HCP1100	12
HCP1100 - 5,5-6,5-7,5 HP	16
HCP3600	20
HCP3800	24
HCP4000	28
HCP4200	32
HCP5000	36
HCP5200	38
HCP5200 - 20-40 cv	40
NEOPUMP	42
Filtres • Filters • Filter • Filtros • Filtri • Filtros • Filters • Фильтры	46
HCF BRASIL SERIES - REF: HCFB	46
HCF FIBERPOOL® SERIES / FH1000 - REF: HCFF HCFH HCFZ (UNI 10637&2016) ITALIAN REGULATION	48
HCF BARCELONA SERIES - REF: HCFE	52
HCF SAN SEBASTIAN SERIES - REF: HCFS HCFD ARM COLLECTOR	54
HCF SAN SEBASTIAN SERIES - REF: HCFS HCFD NOZZLE PLATE	56
HCF ARTIK SERIES - REF: HCFA	58
HCF MALAGA SERIES - REF: HCFM	60
HCF ROMA - REF: HCFC UNI FILTER ITALIAN REGULATION	62
HCF NEW ENZO	64
ALTEA - REF HCFG, HCFJ ARM COLLECTOR	66
ALTEA - REF HCFG, HCFJ NOZZLE PLATE	68
NORDIK - REF ND	70
SWIMCLEAR™ - REF: HCF7030CE	72
Pièces à sceller • White goods • Einbauteile • Piezas a empotrar	74
GRILLES DE FOND • COMMERCIAL DRAIN • BODENGITTER • REJILLAS SUMIDERO	74
Nettoyeurs de Piscines • Cleaners • Schwimmbadreiniger • Limpiafondos	76
Pulitori • Robots • Automatische Reinigers • Пылесосы	
TIGERSHARK 2	76
Pompes à chaleur • Heat pump • Wärmepumpen • Bomba de calor • Pompa di calore	78
Bomba de calor • Verwarmingspompen • Тепловой насос	
HCH SERIES HEAT PUMP - REF: HCHVAS43	78
HCH SERIES HEAT PUMP - REF: HCHVAS95	80
ENERGYLINE PRO ALL SEASON - LARGE POOLS	82

Pompe Pump

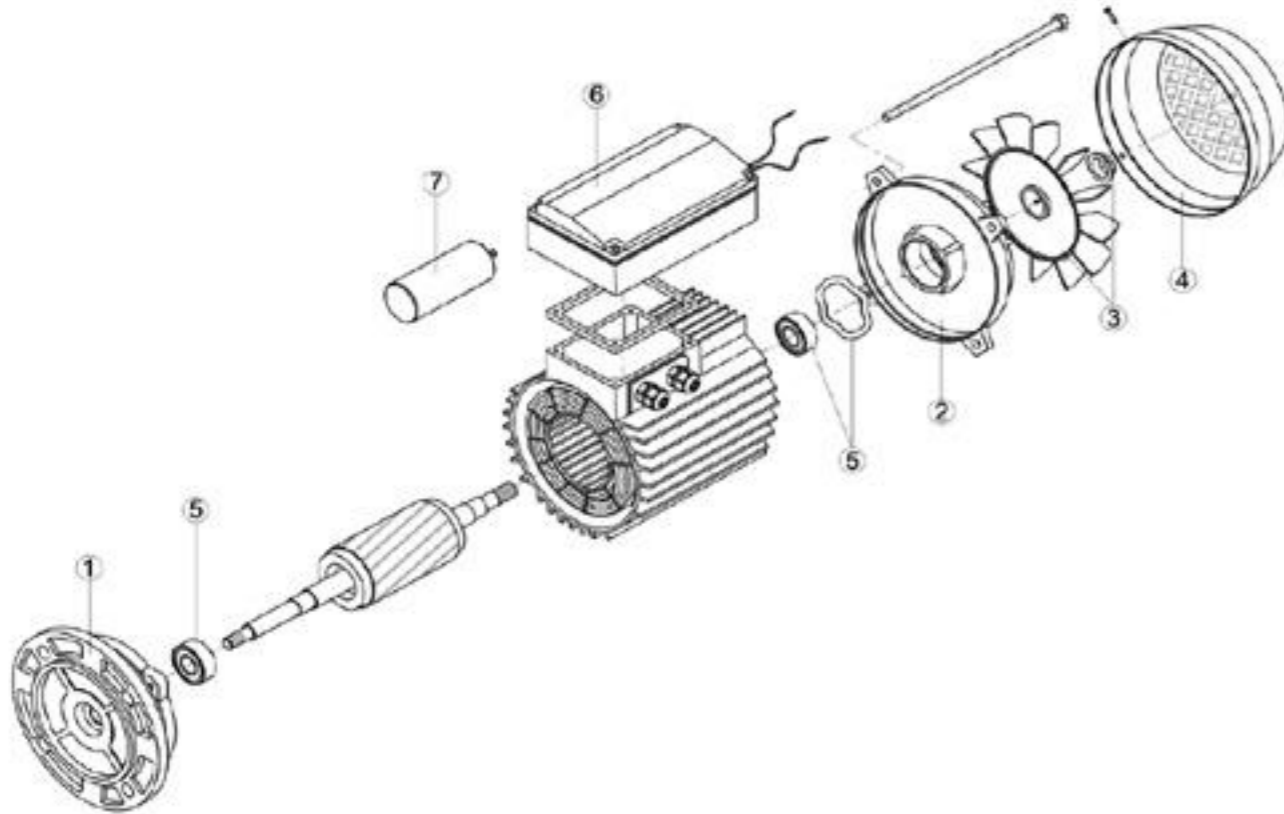
HCP0900



N°	DESCRIPTION ⁽¹⁾	REF./ PART No.	Qty/ Box
7+8	Drain Plug • Bouchon de vidange • Ablasschraube • Tapón de vaciado • Tappo di spurgo • Afvoerkanal stop • Pluque de dreño • Комплект сливных пробок	500100000000	10
8	Set of gaskets • Pack de joints • Satz Dichtungen • Juego de juntas • Set di guarnizioni • Set van pakkingen • Conjunto de juntas • Комплект прокладок	500131160600	1
11			1
16			1
24			2
10	Pump Housing • Corps de pompe • Pumpengehäuse • Cuerpo bomba • Corpo pompa • Lichaam van pomp • Corpo de bomba • Корпус насоса	500100100024	1
11	Diffuser gasket • Joint de diffuseur • Dichtung • Junta de difusor • Guarnizione diffusore • Verbindingsstuk van verspreider • Junta de difusor • Прокладка	500100120002	10
12	Diffuser • Diffuseur • Leitapparat • Difusor • Diffusore • Verspreide • Difusor • Диффузор	500100060003	1
13	Impeller • Turbine • Laufrad • Turbina • Girante • Turbine • Turbina • Крыльчатка		
	Impeller 0,75 HCP	500100070005	1
	HCP0910	500100070008	1
	HCP0915	500100070009	1
	HCP0920	500100070010	1
14	Seal assembly • Obturateur mécanique • Motorhalterung • Cierre mecánico • Tenuta meccanica • Verbindings assemblage • Conjunto de selo • Сальник в сборе	500114150100	1
15			
16	Housing gasket • Joint de corps • Dichtung • Junta • Guarnizione corpo • Huisvestings pakking • Gaxeta da carcaça • Прокладка	500100130002	10
17	Seal plate • Plateau d'étanchéité • Flansch • Plato de cierre • Supporto di fissaggio • Verbindings plaat • Placa do selo • Фланец	500100080002	1
18	Motor support • Support de pompe • Socketteil • Soporte bomba • Supporto pompa • Opzettende steun • Suporte de montagem • Фланец электродвигателя	500100090001	1
48			6
34	Housing bolt • Vis corps de pompe • Sechskantschraube • Tornillo cabeza exagonal • Viti a testa esagonale • Huisvestings GLB schroeven • Tornillos de tampão da carcaça • Комплект болтов	500139420300	4
39			4
42			4
47			2
41			10
24	Union connector kit 50 mm • Kit de raccord union 50 mm • Anschluß-Stecker 50 mm • Asamblea del conector de la unión 50 mm • Assembla del connettore del sindacato 50 mm • De assemblage van de unieschakelaar 50 mm • Conjunto do conector da união 50 mm • Фитинг 50 мм	500100255000	2
25			
24	Union connector kit 63 mm • Kit de raccord union 63 mm • Anschluß-Stecker 63 mm • Asamblea del conector de la unión 63 mm • Assembla del connettore del sindacato 63 mm • De assemblage van de unieschakelaar 63 mm • Conjunto do conector da união 63 mm • Фитинг 63 мм	500100256300	2
25			

Pompe Pump

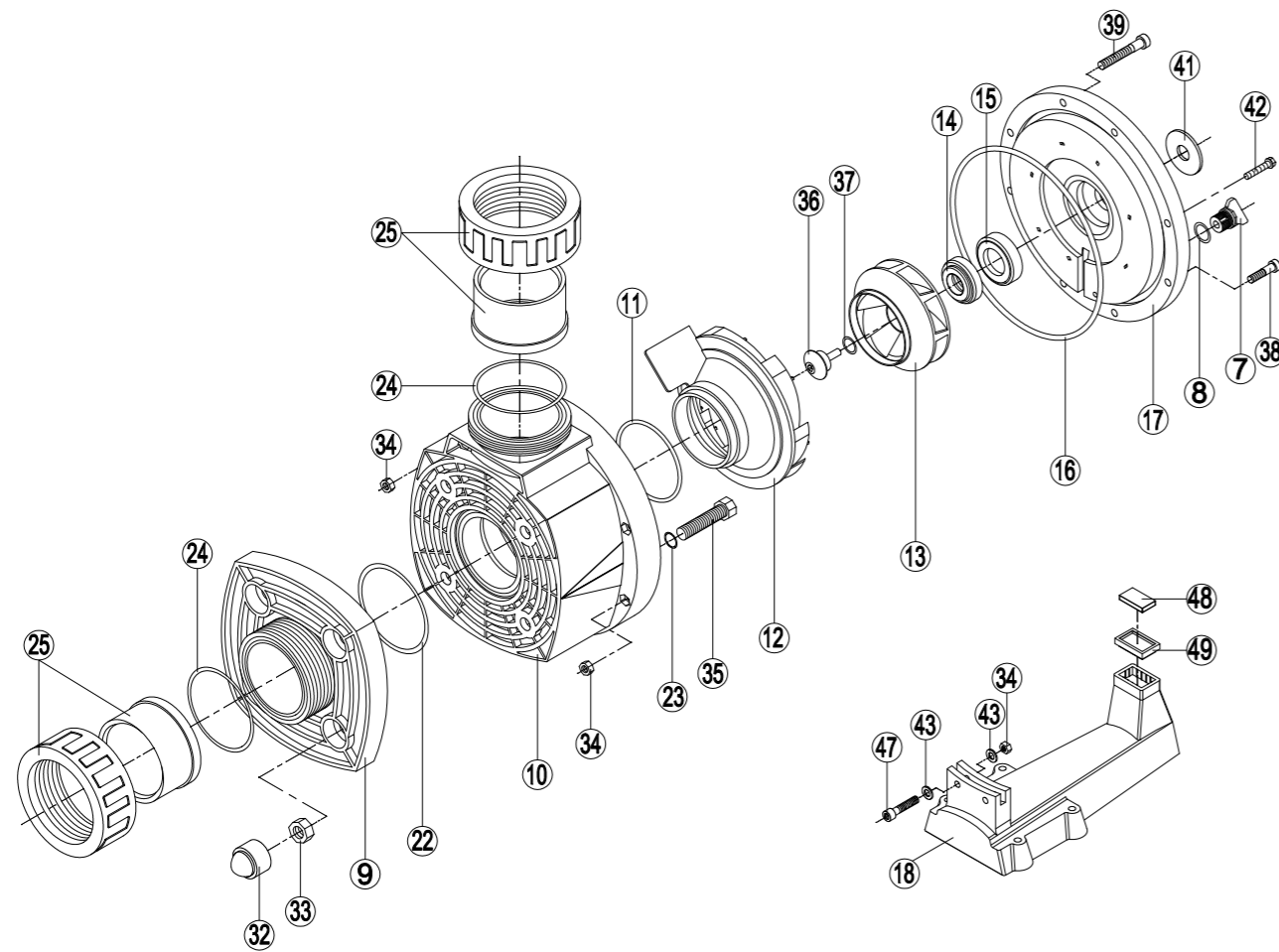
HCP 0900 SERIES PUMPS MOTOR



N°	DESCRIPTION ⁽¹⁾	REF./ PART No.	Qty/ Box
1	Motor cover pump side • Bride moteur • Brida motor		
	HCP09101E (E2) (1 HP, MEC 71)	505010102000	1
	HCP0915 E (E2) (1,5 HP, MEC 80)	505010103000	1
	HCP09201E (E2) - HCP09203E1 (2 HP, MEC 80)		
2	Motor cover fan side • Capot moteur • Tapa motor		
	HCP09101E (E2) (1 HP, MEC 71)	505010202300	1
	HCP09151E (E2) (1,5 HP, MEC 80)	505010203300	1
	HCP09201E (E2) - HCP09203E1 (2 HP, MEC 80)	505010204200	1
3	Fan • Ventilateur • Ventilador		
	HCP09101E (E2) (1 HP, MEC 71)	505010302200	1
	HCP09151E (E2) (1,5 HP, MEC 80)	505010303300	1
	HCP09201E (E2) - HCP09203E1 (2 HP, MEC 80)	505010301200	1
4	Fan cover • Couvercle ventilateur • Tapa ventilador		
	HCP09101E (E2) (1 HP, MEC 71)	505010402200	1
	HCP0915 E (E2) (1,5 HP, MEC 80)	505010403200	1
	HCP09201E (E2) - HCP09203E1 (2 HP, MEC 80)		
5	Bearings kit • Kit roulements • Kit rodamientos		
	HCP09101E (E2) (1 HP, MEC 71)	505010701000	1
	HCP09151E (E2) (1,5 HP, MEC 80)	505010703000	1
	HCP09201E (E2) - HCP09203E1 (E2) (2 HP, MEC 80)	505010704000	1
6	Connection box • Boite de connexion • Caja de conexiones		
	HCP09101E (E2) (1 HP, MEC 71)	505006000602	1
	HCP0915 E (E2) (1,5 HP, MEC 80) - HCP09201E (E2) (2 HP, MEC 80)	505006000603	1
	HCP09203E1 (E2) (2 HP, MEC 80) - HCP09203E (2 HP, MEC 90)	505006000604	1
7	Capacitor • Condensateur • Condensador		
	HCP09101E (1 HP - 71-20 µF) Faston	505010611200	1
	HCP09151E (1,5 HP - 80-25 µF) Faston	505010612000	1
	HCP09201E (2 HP - 80-30 µF) Faston	505010612100	1
	HCP09101E (1 HP - 71-20 µF) Wired	505010601200	1
	HCP09151E (1,5 HP - 80-25 µF) Wired	505010602000	1
	HCP09201E (2 HP - 80-30 µF) Wired	505010602100	1
	HCP09101E2 (1 HP - 71-20 µF) Wired	505010601200	1
	HCP09151E2 (1,5 HP - 80-35 µF) Wired	505010602900	1
	HCP09201E2 (2 HP - 80-35 µF) Wired	505010602900	1
	Complete motor • Moteur complet • Motor completo		
	KNG75 - Single phase motor • Moteur mono • Motor monofásico (E2)	505000222000	1
	KNG75 - Three phase motor • Moteur tri • Motor trifásico / T1	505000212000	1
	HCP0910 - KNG10 Single phase motor • Moteur mono • Motor monofásico (E2)	505000223000	1
	HCP0910 - KNG10 Three phase motor • Moteur tri • Motor trifásico / T1	505000213000	1
	HCP0910 - KNG10 Three phase motor • Moteur tri • Motor trifásico / T1 IE3	505053213000	1
	HCP0915 - KNG15 Single phase motor • Moteur mono • Motor monofásico (E2)	505000321000	1
	HCP0915 - KNG15 Three phase motor • Moteur tri • Motor trifásico / T1	505000311000	1
	HCP0915 - KNG15 Three phase motor • Moteur tri • Motor trifásico / T1 IE3	505053311000	1
	HCP0920 - KNG20 Single phase motor • Moteur mono • Motor monofásico (E2)	505000322000	1
	HCP0920 - KNG20 Three phase motor • Moteur tri • Motor trifásico / T1	505000312000	1
	HCP0920 - KNG20 Three phase motor • Moteur tri • Motor trifásico / T1 IE3	505053312000	1

Pompe Pump

HCP1000

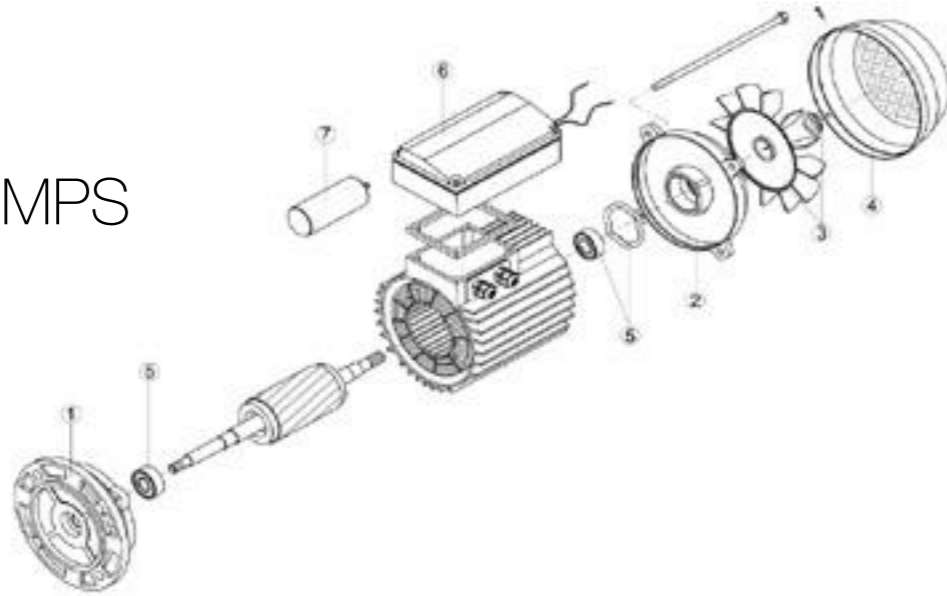


N°	DESCRIPTION ⁽¹⁾	REF./ PART No.	Qty/ Box
7+8	Drain Plug • Bouchon de vidange • Ablasschraube • Tapón de vaciado • Tappo di spurgo • Afvoerkanaal stop • Plugue de dreno • Комплект сливных пробок	500100000000	10
8	Set of gaskets • Pack de joints • Satz Dichtungen • Juego de juntas • Set di guarnizioni • Set van pakkingen • Conjunto de juntas • Комплект прокладок	500131160800	1
11			1
16			1
22			1
24			2
9	Flange • Bride • Flansch • Brida • Cornice tenuta • Flens • Freio • Фланец	500100180000	1
10	Pump Housing • Corps de pompe • Pumpengehäuse • Cuerpo bomba • Corpo pompa • Lichaam van pomp • Corpo de bomba • Корпус насоса	500100100006	1
11	Diffuser gasket • Joint de diffuseur • Dichtung • Junta de difusor • Guarnizione diffusore • Verbindingsstuk van verspreider • Junta de difusor • Прокладка	500100120003	10
12	Diffuser • Diffuseur • Leitapparat • Difusor • Diffusore • Verspreide • Difusor • Диффузор Impeller • Turbine • Laufrad • Turbina • Girante • Turbine • Turbina • Крыльчатка	500100060004	1
13+36+37	HCP1025	500100070012	1
	HCP1030	500100070017	1
	HCP1035	500100070014	1
	HCP1045	500100070018	1
	HCP1055	500100070019	1
14+15	Seal assembly • Obturateur mécanique • Motorhalterung • Cierre mecánico • Tenuta meccanica • Verbindings assemblage • Conjunto de selo • Сальник в сборе	500114150200	1
16	Housing gasket • Joint de corps • Dichtung • Junta • Guarnizione corpo • Huisvestings pakking • Gaxeta da carcaça • Прокладка	500100130003	10
17	Seal plate • Plateau d'étanchéité • Flansch • Plato de cierre • Supporto di fissaggio • Verbindings plaat • Placa do selo • Фланец	500100080003	1
18	Motor support • Support de pompe • Socketteil • Soporte bomba • Supporto pompa • Opzettende steun • Suporte de montagem • Фланец электродвигателя	500100090002	1
48+49			2
23+35	Screw set • Sachet de vis • Schrauben • Kit de tornillos • Set viti di fissaggio • Zakje van schroeven • Saquinho de tornillos • Комплект шурупов	500139420400	4
32+33			4
34			10
38			6
39			2
42 + 43			4
47			2
36+37	Impeller screw • Vis de turbine • Turbinenschraube • Tornillo de turbina • Vite di turbina • Schroef van turbine • Tornillos de turbina • Комплект винтов	500100190000	10
41	Slinger • Larmier • Tropfing • Arandela Separación • Rondella di separazione • Tropfing • Arandela Separación • Маслоъемное кольцо	500100410100	10
24+25	Union connector kit 90 mm • Kit de raccord union 90 mm • Anschluß-Stecker 90 mm • Asamblea del conector de la unión 90 mm • Assemblea del connettore del sindacato 90 mm • De assemblage van de unieschakelaar 90 mm • Conjunto do conector da união 90 mm • Фитинг 90 мм	500100150000	2
	Union connector kit 3" ANSI • Kit de raccord union 3" ANSI • Anschluß-Stecker 3" ANSI • Asamblea del conector de la unión 3" ANSI • Assemblea del connettore del sindacato 3" ANSI • De assemblage van de unieschakelaar 3" ANSI • Conjunto do conector da união 3" ANSI • Фитинг 3" ANSI	500100150001	2

(1) Description / Description / Bezeichnung / Descripción / Descrizione / Beschrijving / Descrição / Описание

Pompe Pump

HCP 1000 SERIES PUMPS MOTOR

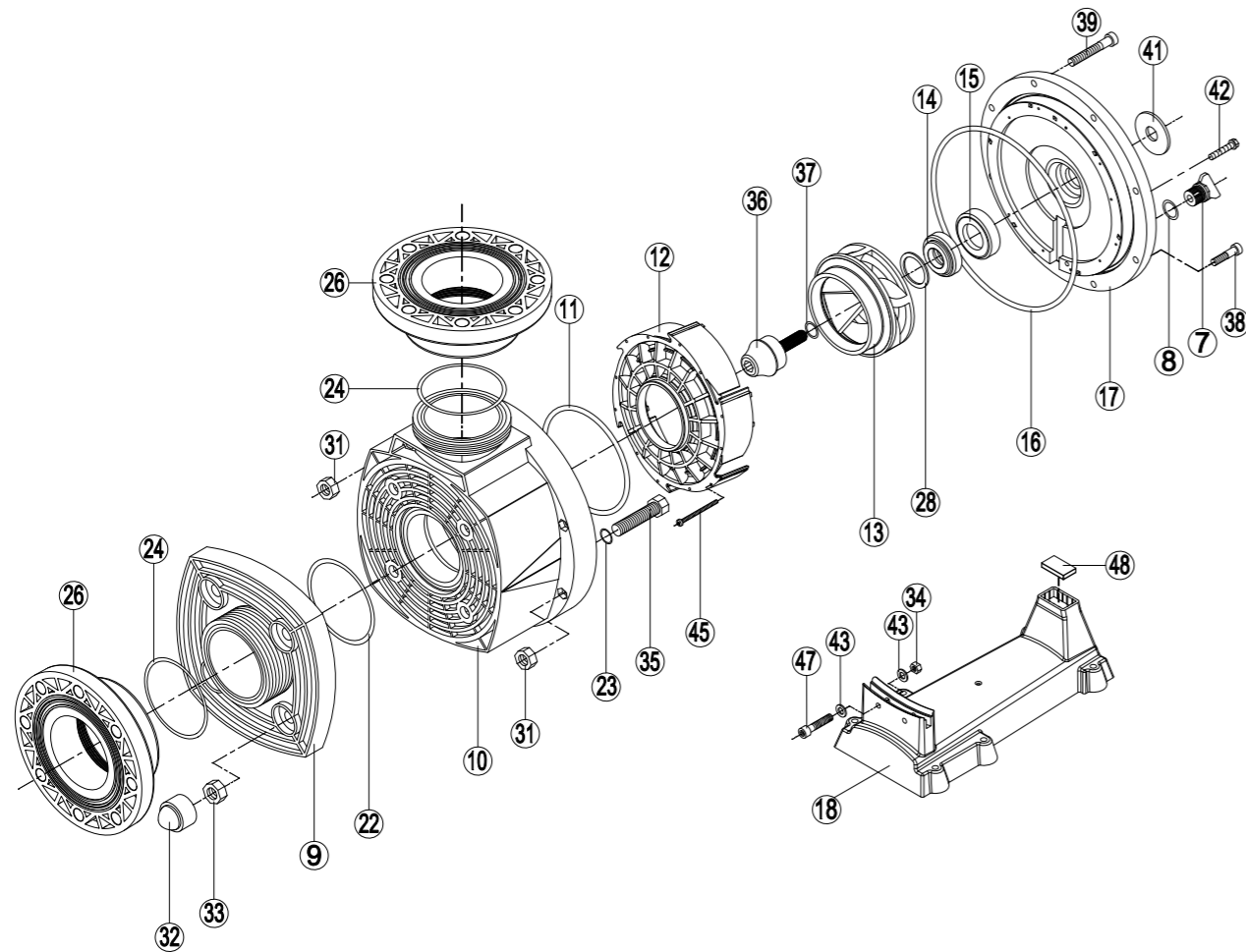


N°	DESCRIPTION (1)	REF./ PART No.	Qty/ Box
1	Motor cover pump side • Bride moteur • Brida motor		
	HCP10253E1 (2,5 HP - MEC 80)	505010103000	1
	HCP10303E1 (3 HP - MEC 80)		
	HCP10251E (E2) (2,5 HP - MEC 90)		
	HCP10253E (2,5 HP - MEC 90)		
	HCP10303E (3 HP - MEC 90)	505010104000	1
	HCP10301E (E2) (3 HP - MEC 90)		
	HCP10353E1 (3,5 HP - MEC 90)		
	HCP10453E1 (4,5 HP - MEC 90)		
	HCP10353E (3,5 HP - MEC 90)	505010105000	1
HCP10453E (4,5 HP - MEC 90)			
2	Motor cover fan side • Capot moteur • Tapa motor		
	HCP10253E1 (2,5 HP - MEC 80)	505010203300	1
	HCP10303E1 (3 HP - MEC 80)		
	HCP10251E (E2) (2,5 HP - MEC 90)		
	HCP10253E (2,5 HP - MEC 90)		
	HCP10303E (3 HP - MEC 90)	505010204200	1
	HCP10301E (E2) (3 HP - MEC 90)		
	HCP10353E1 (3,5 HP - MEC 90)		
	HCP10453E1 (4,5 HP - MEC 90)		
	HCP10353E (3,5 HP - MEC 90)	505010205200	1
HCP10453E (4,5 HP - MEC 90)			
3	Fan • Ventilateur • Ventilador		
	HCP10253E1 (2,5 HP - MEC 80)	505010303300	1
	HCP10303E1 (3 HP - MEC 80)		
	HCP10251E (E2) (2,5 HP - MEC 90)		
	HCP10253E (2,5 HP - MEC 90)		
	HCP10303E (3 HP - MEC 90)	505010304200	1
	HCP10301E (E2) (3 HP - MEC 90)		
	HCP10353E1 (3,5 HP - MEC 90)		
	HCP10453E1 (4,5 HP - MEC 90)		

N°	DESCRIPTION (1)	REF./ PART No.	Qty/ Box
3	HCP10353E (3,5 HP - MEC 90)	505010305200	1
	HCP10453E (4,5 HP - MEC 90)		
4	Fan cover • Couvercle ventilateur • Tapa ventilador		
	HCP10253E1 (2,5 HP - MEC 80)	505010403200	1
	HCP10303E1 (3 HP - MEC 80)		
	HCP10251E (E2) (2,5 HP - MEC 90)		
	HCP10253E (2,5 HP - MEC 90)		
	HCP10303E (3 HP - MEC 90)	505010404200	1
	HCP10301E (E2) (3 HP - MEC 90)		
	HCP10353E1 (3,5 HP - MEC 90)		
	HCP10453E1 (4,5 HP - MEC 90)		
	HCP10353E (3,5 HP - MEC 90)	505010405200	1
HCP10453E (4,5 HP - MEC 90)			
5	Bearings kit • Kit roulements • Kit rodamientos		
	HCP10253E1 (2,5 HP - MEC 80)	505010703000	1
	HCP10303E1 (3 HP - MEC 80)		
	HCP10251E (E2) (2,5 HP - MEC 90)		
	HCP10253E (2,5 HP - MEC 90)		
	HCP10303E (3 HP - MEC 90)	505010704000	1
	HCP10301E (E2) (3 HP - MEC 90)		
	HCP10353E1 (3,5 HP - MEC 90)		
	HCP10453E1 (4,5 HP - MEC 90)		
	HCP10353E (3,5 HP - MEC 90)	505010705000	1
HCP10453E (4,5 HP - MEC 90)			
6	Connection box • Boîte de connexion • Caja de conexiones		
	HCP10251E (E2) / HCP10301E (E2) (2,5HP / 3 HP MEC 90)	505006000603	1
	HCP10253E (2,5 HP - MEC 90)		
	HCP10253E1 (2,5 HP - MEC 80)	505006000604	1
	HCP10303E (3 HP - MEC 90)		
	HCP10303E1 (3 HP - MEC 80)		
	HCP10353E1 (3,5 HP - MEC 90)		
	HCP10453E1 (4,5 HP - MEC 90)		
	HCP10353E (3,5 HP - MEC 90)	505006000606	1
	HCP10453E (4,5 HP - MEC 90)		
7	Capacitor • Condensateur • Condensador		
	HCP10251E (2,5 HP - 90-30 µF) Faston	505010612100	1
	HCP10301E (3 HP - 90-36 µF) Faston	505010613000	1
	HCP10251E (2,5 HP - 90-30 µF) Wired	505010602100	1
	HCP10301E (3 HP - 90-36 µF) Wired	505010603000	1
	HCP10251E2 / HCP10301E2 (2,5 HP/3 HP - 90-55 µF) Wired	505010605500	1
	Complete motor • Moteur complet • Motor completo		
	HCP1000 - KA250/KA300 Single phase motor • Moteur mono • Motor monofásico (E2)	505000623000	1
	HCP1000 - KA250 Three phase motor • Moteur tri • Motor trifásico / T1	505000313100	1
	HCP1000 - KA250 Three phase motor • Moteur tri • Motor trifásico / T1 IE3	505053413000	1
	HCP1000 - KA300 Three phase motor • Moteur tri • Motor trifásico / T1	505000313100	1
	HCP1000 - KA300 Three phase motor • Moteur tri • Motor trifásico / T1 IE3	505053413000	1
	HCP1000 - KA350 Three phase motor • Moteur tri • Motor trifásico / T1	505000413000	1
	HCP1000 - KA350 Three phase motor • Moteur tri • Motor trifásico / T1 IE3	505053413100	1
	HCP1000 - KA450 Three phase motor • Moteur tri • Motor trifásico / T1	505000414000	1
	HCP1000 - KA450 Three phase motor • Moteur tri • Motor trifásico / T1 IE3	505053414000	1
	HCP1000 - KA500 Three phase motor • Moteur tri • Motor trifásico / T1	505000511000	1
	HCP1000 - KA550 Three phase motor • Moteur tri • Motor trifásico / T2	505000521000	1
	HCP1000 - KA550 Three phase motor • Moteur tri • Motor trifásico / T2 IE3	505053521000	1

Pompe Pump

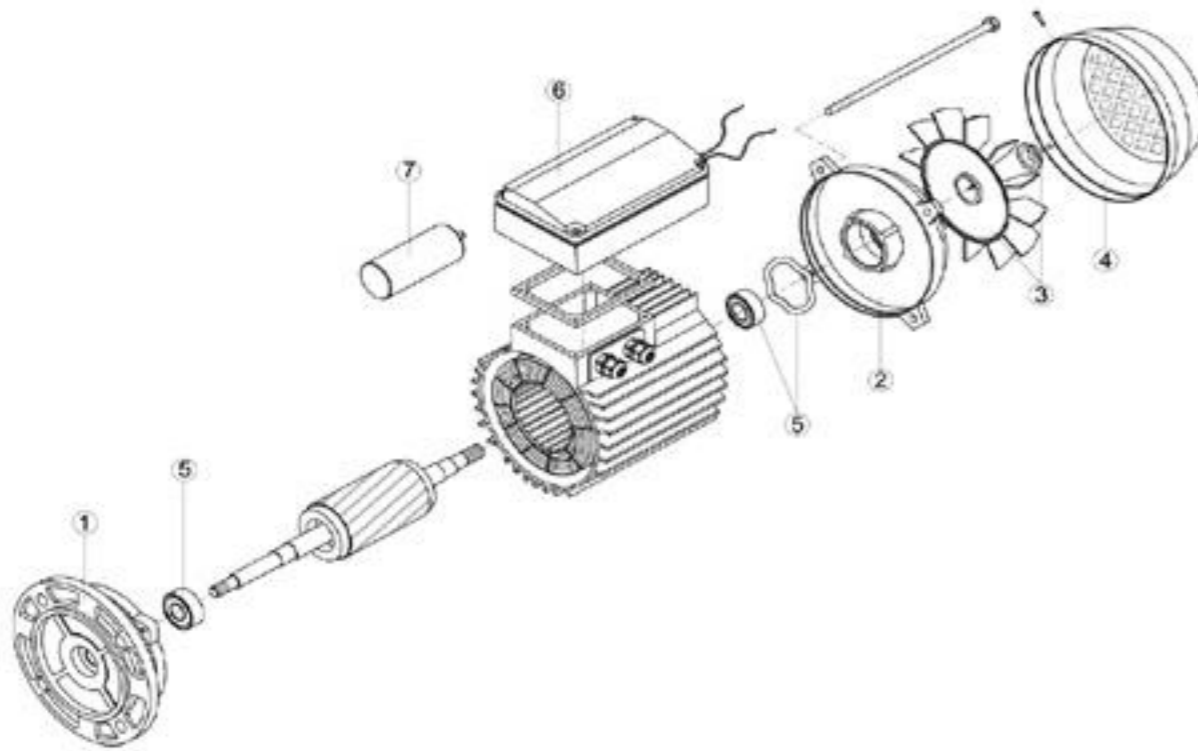
HCP1100



N°	DESCRIPTION ⁽¹⁾	REF./ PART No.	Qty/ Box
7 + 8	Drain Plug • Bouchon de vidange • Ablasschraube • Tapón de vaciado • Tappo di spurgo • Afvoerkanaal stop • Plugue de dreño • Комплект сливных пробок	50010000000	10
8 11 16 22 24	Set of gaskets • Pack de joints • Satz Dichtungen • Juego de juntas • Set di guarnizioni • Set van pakkingen • Conjunto de juntas • Комплект прокладок	500131161000	1 1 1 1 2
9	Flange • Bride • Flansch • Brida • Cornice tenuta • Flens • Freio • Фланец	500100140004	1
10	Pump Housing • Corps de pompe • Pumpengehäuse • Cuerpo bomba • Corpo pompa • Lichaam van pomp • Corpo de bomba • Корпус насоса	500100100007	1
11	Diffuser gasket • Joint de diffuseur • Dichtung • Junta de difusor • Guarnizione diffusore • Verbindingsstuk van verspreider • Junta de difusor • Прокладка	500100120004	10
12 45	Diffuser • Diffuseur • Leitapparat • Difusor • Diffusore • Verspreide • Difusor • Диффузор	500100060007	1 12
	Impeller • Turbine • Laufrad • Turbina • Girante • Turbine • Turbina • Крыльчатка		
	10 hp until 2014	500100070023	1
13	12,5 hp until 2014	500100070024	1
28	HCP11100	500100070034	1
36	HCP11125	500100070028	1
37	HCP11150	500100070029	1
	HCP11200	500100070030	1
14 + 15	Seal assembly • Obturateur mécanique • Motorhalterung • Cierre mecánico • Tenuta meccanica • Verbindings assemblage • Conjunto de selo • Сальник в сборе	500114150300	1
16	Housing gasket • Joint de corps • Dichtung • Junta • Guarnizione corpo • Huisvestings pakking • Gaxeta da carcaça • Прокладка	500100130004	10
17	Seal plate • Plateau d'étanchéité • Flansch • Plato de cierre • Supporto di fissaggio • Verbindings plaat • Placa do selo • Фланец	500100080005	1
18	Motor support • Support de pompe • Socketteil • Soporte bomba • Supporto pompa • Opzettende steun • Suporte de montagem • Фланец электродвигателя	500100090003	1 2 3
23 + 35 31			4 8
32 + 33 34	Screw set • Sachet de vis • Schrauben • Kit de tornillos • Set viti di fissaggio • Zakje van schroeven • Saquinho de tornillos • Комплект шурупов	500139420500	4 2 6 2 4 2
38 39			2 2
42 + 43 47			4 2
36 + 37	Impeller screw • Vis de turbine • Turbinenschraube • Tornillo de turbina • Vite di turbina • Schroef van turbine • Tornillos de turbina • Комплект винтов	500100190001	10
41	Slinger • Larmier • Tropfing • Arandela Separación • Rondella di separazione • Tropfing • Arandela Separación • Маслоъемное кольцо	500100410100	10
24 + 26	Union connector kit 140 mm • Kit de raccord union 140 mm • Anschluß-Stecker 140 mm • Asamblea del conector de la unión 140 mm • Assemblea del connettore del sindacato 140 mm • De assemblage van de unieschakelaar 140 mm • Conjunto do conector da união 140 mm • Фитинг 140 мм	500100150004	2

Pompe Pump

HCP 1100 SERIES PUMPS MOTOR

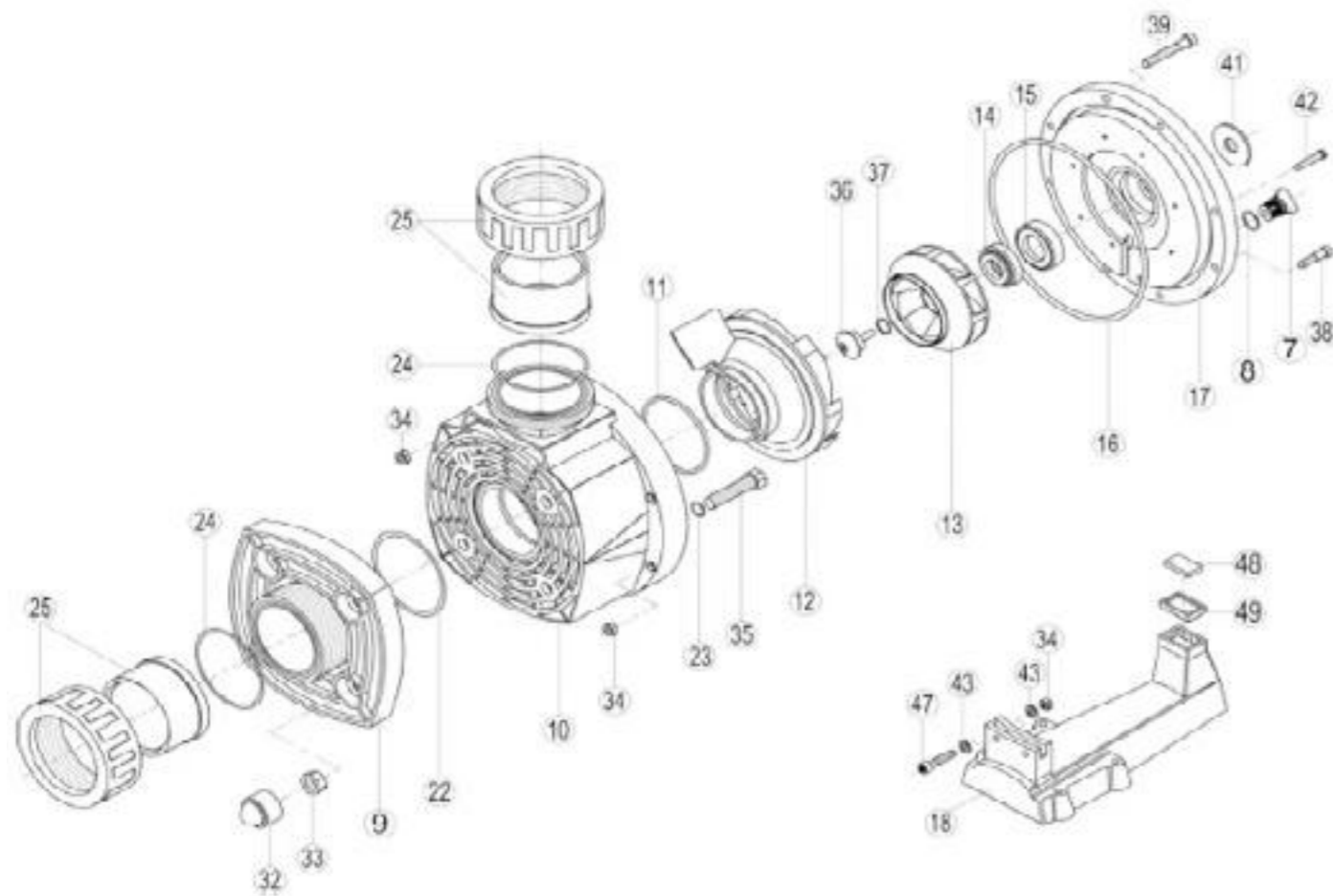


N°	DESCRIPTION ⁽¹⁾	REF./ PART No.	Qty/ Box
1	Motor cover pump side • Bride moteur • Brida motor		
	HCP111003E (10 HP - MEC 132)		
	HCP111003E1 (10 HP - MEC 132)		
	HCP111253E1 (12,5 HP - MEC 132)	505010107000	1
	HCP111503E1 (15 HP - MEC 132)		
2	Motor cover fan side • Capot moteur • Tapa motor		
	HCP111003E (10 HP - MEC 132)		
	HCP111003E1 (10 HP - MEC 132)		
	HCP111253E1 (12,5 HP - MEC 132)	505010207200	1
	HCP111503E1 (15 HP - MEC 132)		
3	Fan • Ventilateur • Ventilador		
	HCP111003E (10 HP - MEC 132)	505010302200	1
	HCP111003E1 (10 HP - MEC 132)		
	HCP111253E1 (12,5 HP - MEC 132)	505010307200	1
4	Fan cover • Couvercle ventilateur • Tapa ventilador		
	HCP111003E (10 HP - MEC 132)		
	HCP111003E1 (10 HP - MEC 132)		
	HCP111253E1 (12 HP - MEC 132)	505010407200	1
	HCP111503E1 (15 HP - MEC 132)		
5	Bearings kit • Kit roulements • Kit rodamientos		
	HCP111003E (10 HP - MEC 132)		
	HCP111003E1 (10 HP - MEC 132)		
	HCP111253E1 (12 HP - MEC 132)	505010707000	1
	HCP111503E1 (15 HP - MEC 132)		
6	Connection box • Boite de connexion • Caja de conexiones		
	HCP111003E (10 HP - MEC 132)		
	HCP111003E1 (10 HP - MEC 132)		
	HCP111253E1 (12 HP - MEC 132)	505006000607	1
	HCP111503E1 (15 HP - MEC 132)		
	Complete motor • Moteur complet • Motor completo		
	HCP1100 - KTB 1000 Three phase motor • Moteur tri • Motor trifásico / T2	505000722000	1
	HCP1100 - KTB 1000 Three phase motor • Moteur tri • Motor trifásico / T2 IE3	505053722000	1
	HCP1100 - KTB 1250 Three phase motor • Moteur tri • Motor trifásico / T2	505000723100	1
	HCP1100 - KTB 1500 Three phase motor • Moteur tri • Motor trifásico / T2	505000724000	1
	HCP1100 - KTB 2000 Three phase motor • Moteur tri • Motor trifásico / T2	505000725000	1

Pompe

Pump

HCP1100 SERIES PUMPS - 5,5 - 6,5 - 7,5 HP
(with union connection Ø110 or 4" ANSI)



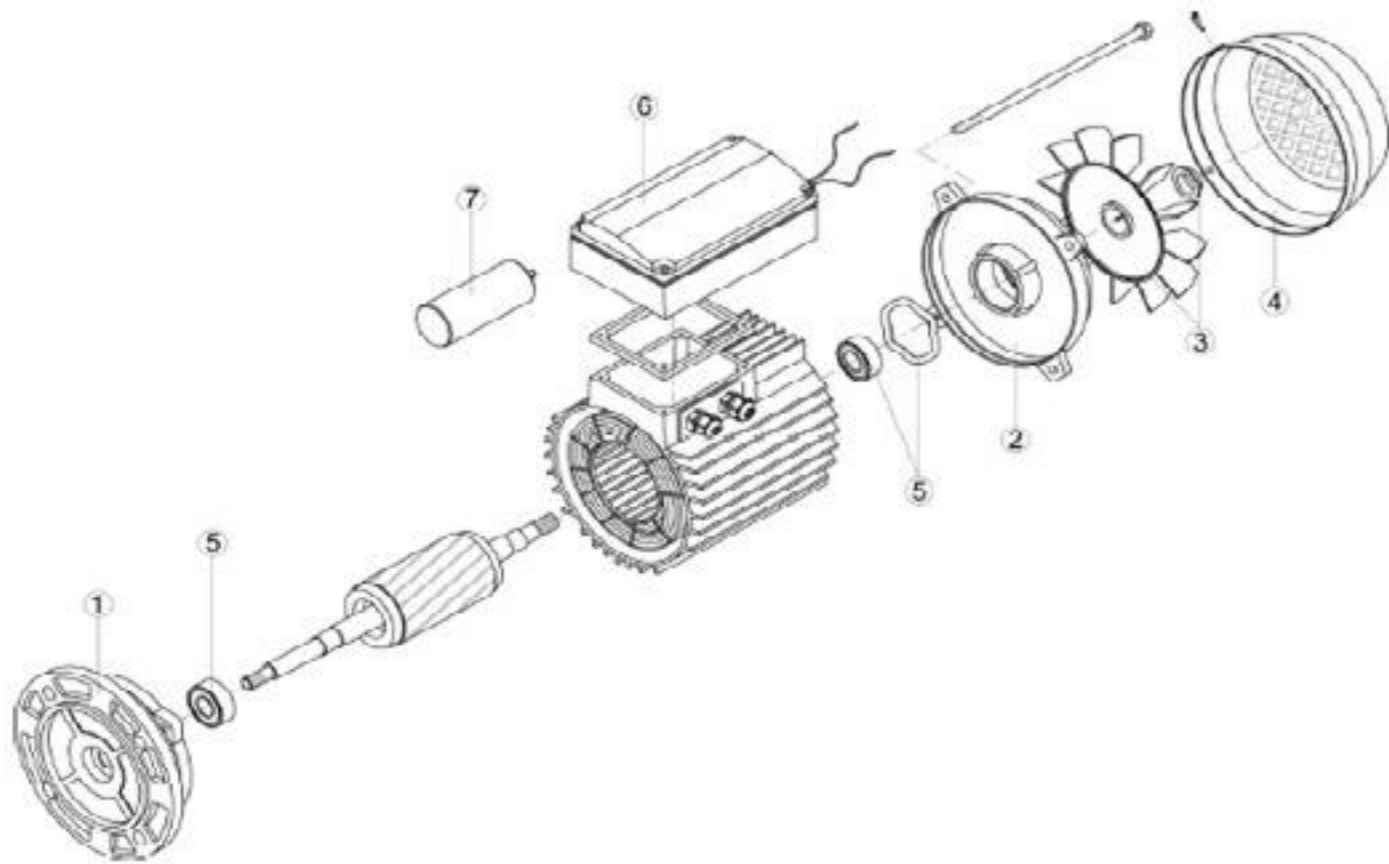
N°	DESCRIPTION ⁽¹⁾	REF./ PART No.	Qty/ Box
7 + 8	Drain Plug • Bouchon de vidange • Tapón de vaciado	50010000000	10
8			2
11			1
16	Set of gaskets • Pack de joints • Juego de juntas	500131161000	1
22			1
24			2
9	Flange • Corps d'aspiration • Brida aspiración	500100180001	1
10	Pump Housing • Corps de pompe • Cuerpo bomba	500100100007	1
11	Diffuser gasket • Joint de diffuseur • Junto difusor	500100120004	10
12	Diffuser • Diffuseur • Difusor	500100060005	1
45			12
13+36+37	Impeller • Turbine • Turbina / HCP11553E24 - HCP11553E7	500100070020	1
13+36+37	Impeller • Turbine • Turbina / HCP11653E7	500100070021	1
13+36+37	Impeller • Turbine • Turbina / HCP11753E7	500100070022	1
14 + 15	Seal assembly • Obturateur mécanique • Cierre mecánico	500114150200	1
16	Housing gasket • Joint de corps • Junta	500100130004	10
17	Seal plate • Plateau d'étanchéité • Plato de cierre	500100080004	1
18			1
48	Motor support • Support de pompe • Soporte bomba	500100090003	1
49			2
23 + 35			4
31			8
32+33			4
34			2
38	Screw set • Sachet de vis • Kit de tornillos	500139420500	6
39			2
42+43			4
47			2
36 + 37	Impeller screw • Vis de turbine • Tornillo de turbina	500100190000	10
41	Slinger • Larmier • Arandela Separación	500100410100	10
24 + 25	Union connector kit 110 mm • Kit de raccord union 110 mm • Kit de rácor unión 110 mm	500100150002	2
24 + 25	Union connector kit 4" ANSI • Kit de raccord union 4" ANSI • Kit de rácor unión 4" ANSI	500100150003	2

Pompe

Pump

HCP1100 SERIES PUMPS

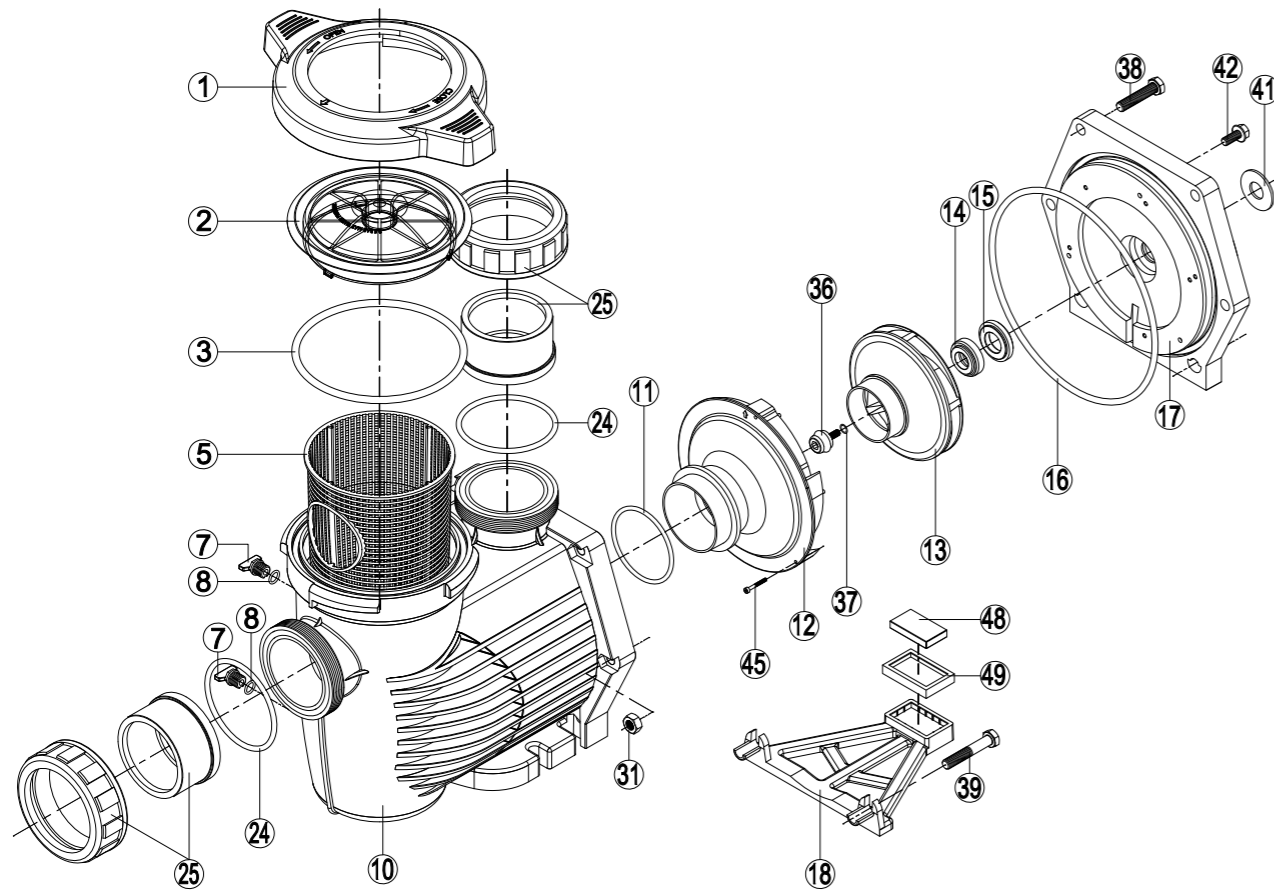
- 5,5 - 6,5 - 7,5 HP
MOTOR



N°	DESCRIPTION ⁽¹⁾	REF./ PART No.	Qty/ Box
1	Motor cover pump side • Couvercle moteur - Côté pompe • Brida motor	505010106000	1
2	Motor cover fan side • Couvercle moteur, côté ventilateur • Tapa motor	505010206200	1
3	Fan • Ventilateur • Ventilador / HCP11653E7 - HCP11753E7 HCP11653E7 - HCP11753E7	505010302200	1
3	Fan • Ventilateur • Ventilador / HCP11553E24 - HCP11553E7	505010306200	1
4	Fan cover • Couvercle du ventilateur • Tapa ventilador / HCP11553E24 - HCP11553E7 - HCP11653E7 - HCP11753E7	505010406200	1
5	Bearings kit • Kit roulements • Kit rodamientos / HCP11553E24 - HCP11553E7 - HCP11653E7 - HCP11753E7	505010706000	1
6	Connection box • Boîte de connexion • Caja de conexiones / HCP11553E24 - HCP11553E7 - HCP11653E7 - HCP11753E7	505006000607	1
-	Three phase T1 IE3 motor • Moteur triphasé T1 IE3 • Motor trifásico T1 IE3 / HCP11553E24	505053511000	1
-	Three phase T2 IE3 motor • Moteur triphasé T2 IE3 • Motor trifásico T2 IE3 / HCP11553E7	505053521000	1
-	Three phase T2 IE3 motor • Moteur triphasé T2 IE3 • Motor trifásico T2 IE3 / HCP11653E7	505053522000	1
-	Three phase T2 IE3 motor • Moteur triphasé T2 IE3 • Motor trifásico T2 IE3 / HCP11753E7	505053622000	1

Pompe Pump

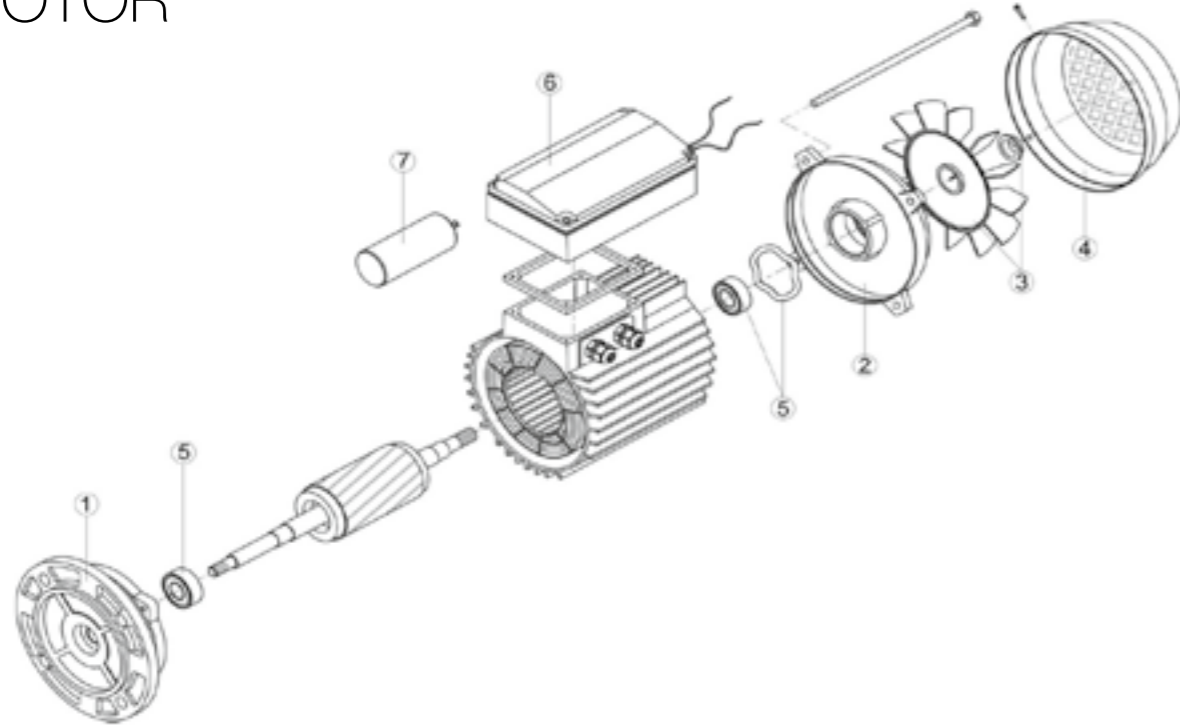
HCP3600



N°	DESCRIPTION ⁽¹⁾	REF./ PART No.	Qty/ Box
1	Nut • Ecrou • Nuss • Tuerca • Dado • Noot • Tuerca • Гайка	500100010006	1
2	Strainer cover • Couvercle de préfiltre • Deckel • Tapa de prefiltro • Coperchio prefiltro • Zeef dekking	500100020007	1
3	Tampa do filtro • Крышка префилтра		
3	Strainer cover O-Ring • Joint torique • O-Ring • Junta tórica • Guarnizione O'ring	500100110007	10
	• De O-ring van de zeefdekking • O-Ring de tampa do filtro • Уплотнительное кольцо		
3			1
8	Set of gaskets • Pack de joints • Satz Dichtungen • Juego de juntas • Set di guarnizioni	500131160500	2
11	• Set van pakkingen • Conjunto de juntas • Комплект прокладок		1
16			1
24			2
5	Strainer basket • Panier de préfiltre • Filterkorb • Cesto filtrante • Cestino prefiltro • Zeef mand	500100030007	1
	• Cesta do filtro • Корзина префилтра		
7	Drain Plug • Bouchon de vidange • Ablasschraube • Tarón de vaciado • Tappo di spurgo	500100000000	10
8	• Afvoerkanaal stop • Plugue de dreño • Комплект сливных пробок		
10	Pump Housing • Corps de pompe • Pumpengehäuse • Cuerpo bomba • Corpo pompa	500100100023	1
	• Lichaam van pomp • Corpo de bomba • Корпус насоса		
11	Diffuser gasket • Joint de diffuseur • Dichtung • Junta de difusor • Guarnizione diffusore	500100120300	10
	• Verbindingsstuk van verspreider • Junta de difusor • Прокладка		
12	Diffuser • Diffuseur • Leitapparat • Difusor • Diffusore • Verspreide • Difusor • Диффузор	500100060008	1
13	Impeller • Turbine • Laufrad • Turbina • Girante • Turbine • Turbina • Крыльчатка		
	HCP3625	500100070031	1
	HCP3630	500100070032	1
	HCP3635	500100070033	1
14	Seal assembly • Obturateur mécanique • Motorhalterung • Cierre mecánico • Tenuta meccanica	500114150400	1
15	• Verbindings assemblage • Conjunto de selo • Сальник в сборе		
16	Housing gasket • Joint de corps • Dichtung • Junta • Guarnizione corpo • Huisvestings pakking	500100130005	10
	• Gaxeta da carcaça • Прокладка		
17	Seal plate • Plateau d'étanchéité • Flansch • Plato de cierre • Supporto di fissaggio • Verbindings plaat	500100080007	1
	• Placa do selo • Фланец		
18	Motor support • Support de pompe • Socketteil • Soporte bomba • Supporto pompa • Opzettende steun	500100090004	1
48	• Suporte de montagem • Фланец электродвигателя		2
49			1
31			6
38			4
39	Screw set • Sachet de vis • Schrauben • Kit de tornillos • Set viti di fissaggio • Zakje van schroeven	500139420200	2
42	• Saquinho de tornillos • Комплект шурупов		4
45			3
41	Slinger • Larmier • Tropfing • Arandela Separación • Rondella di separazione • Tropfing • Arandela Separación • Маслоъемное кольцо	500100410000	10
24 + 25	Union connector kit 75 mm • Kit de raccord union 75 mm • Anschluß-Stecker 75 mm	500124250000	2
	• Asamblea del conector de la unión 75 mm • Assembla del connettore del sindacato 75 mm		
	• De assemblage van de unieschakelaar 75 mm • Conjunto do conector da união 75 mm • Фитинг 75 мм		
36 + 37	Impeller screw • Vis de turbine • Turbinenschraube • Tornillo de turbina • Vite di turbina	500100190002	10
	• Schroef van turbine • Tornillos de turbina • Комплект винтов		

Pompe Pump

HCP 3600 SERIES PUMPS MOTOR

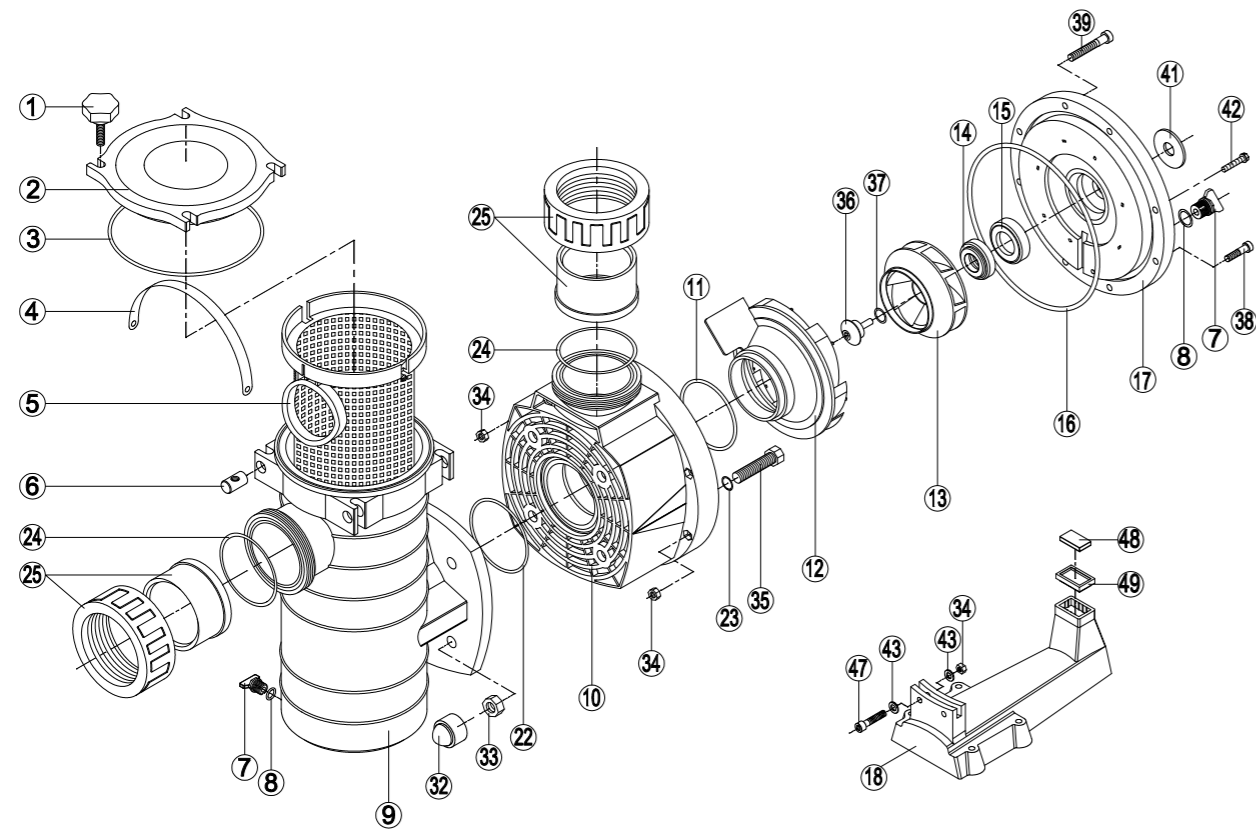


N°	DESCRIPTION ⁽¹⁾	REF./ PART No.	Qty/ Box
1	Motor cover pump side • Bride moteur • Brida motor		
	HCP36253E1 (2,5HP - MEC 80)		
	HCP36303E1 (3HP - MEC 80)	505010103000	1
	HCP36251E (E2) (2,5HP - MEC 90)		
	HCP36253E (2,5HP - MEC 90)		
	HCP36303E (3HP - MEC 90)	505010104000	1
	HCP36301E (E2) (3HP - MEC 90)		
2	Motor cover fan side • Capot moteur • Tapa motor		
	HCP36253E1 (2,5HP - MEC 80)		
	HCP36303E1 (3HP - MEC 80)	505010203300	1
	HCP36251E (E2) (2,5HP - MEC 90)		
	HCP36253E (2,5HP - MEC 90)		
	HCP36303E (3HP - MEC 90)	505010204200	1
	HCP36301E (E2) (3HP - MEC 90)		
	HCP36353E1 (3,5HP - MEC 90)		
	HCP36353E (3,5HP - MEC 90)	505010205200	1

N°	DESCRIPTION ⁽¹⁾	REF./ PART No.	Qty/ Box
3	Fan • Ventilateur • Ventilador		
	HCP36253E1 (2,5HP - MEC 80)		
	HCP36303E1 (3HP - MEC 80)	505010303300	1
	HCP36251E (E2) (2,5HP - MEC 90)		
	HCP36253E (2,5HP - MEC 90)		
	HCP36301E (E2) (3HP - MEC 90)	505010304200	1
	HCP36353E1 (3,5HP - MEC 90)		
	HCP36253E (2,5 HP - MEC90)		
	HCP36303E (3 HP - MEC90)	505010301200	1
	HCP36353E (3,5 HP - MEC90)		
4	Fan cover • Couvercle ventilateur • Tapa ventilador		
	HCP36253E1 (2,5HP - MEC 80)		
	HCP36303E1 (3HP - MEC 80)	505010403200	1
	HCP36251E (E2) (2,5HP - MEC 90)		
	HCP36253E (2,5HP - MEC 90)		
	HCP36303E (3HP - MEC 90)	505010404200	1
	HCP36301E (E2) (3HP - MEC 90)		
	HCP36353E1 (3,5HP - MEC 90)		
	HCP36353E (3,5HP - MEC 90)	505010405200	1
5	Bearings kit • Kit roulements • Kit rodamientos		
	HCP36253E1 (2,5HP - MEC 80)		
	HCP36303E1 (3HP - MEC 80)	505010703000	1
	HCP36251E (E2) (2,5HP - MEC 90)		
	HCP36253E (2,5HP - MEC 90)		
	HCP36303E (3HP - MEC 90)	505010704000	1
	HCP36301E (E2) (3HP - MEC 90)		
	HCP36353E1 (3,5HP - MEC 90)		
	HCP36353E (3,5HP - MEC 90)	505010705000	1
6	Connection box • Boite de connexion • Caja de conexiones		
	HCP36251E (E2) / HCP36301E (E2) (2,5HP / 3 HP MEC 90)	505006000603	1
	HCP36253E (2,5HP - MEC 90)		
	HCP36253E1 (2,5HP - MEC80)		
	HCP36303E (3HP - MEC 90)	505006000604	1
	HCP36303E1 (3HP - MEC 80)		
	HCP36301E (E2) (3HP - MEC 90)		
	HCP36353E1 (3,5HP - MEC 90)		
	HCP36353E (3,5HP - MEC 90)	505006000606	1
7	Capacitor • Condensateur • Condensador		
	HCP36251E (2,5HP - 90-30 µF) Faston	505010612100	1
	HCP36301E (3HP - 90-36 µF) Faston	505010613000	1
	HCP36251E (2,5 HP - 90-30 µF) Wired	505010602100	1
	HCP36301E (3 HP - 90-36 µF) Wired	505010603000	1
	HCP36251E2 / HCP36301E2 (2,5 HP/3 HP - 90-55 µF) Wired	505010605500	1
	Complete motor • Moteur complet • Motor completo		
	HCP36251E (2,5HP) / KPR 250 Single phase motor • Moteur mono • Motor monofásico (E2)	505000523000	1
	HCP36253E1 (2,5HP) / KPR 250 Three phase motor • Moteur tri • Motor trifásico / T1	505050810000	1
	HCP36253E (2,5HP) / KPR 250 Three phase motor • Moteur tri • Motor trifásico / T1 IE3	505053811000	1
	HCP36301E (3HP) / KPR 300 Single phase motor • Moteur mono • Motor monofásico (E2)	505000523000	1
	HCP36303E1 (3HP) / KPR 300 Three phase motor • Moteur tri • Motor trifásico / T1	505050810000	1
	HCP36303E (3HP) / KPR 300 Three phase motor • Moteur tri • Motor trifásico / T1IE3	505053811000	1
	HCP36353E1 (3,5HP) / KPR 350 Three phase motor • Moteur tri • Motor trifásico / T1	505050812000	1
	HCP36353E (3,5HP) / KPR 350 Three phase motor • Moteur tri • Motor trifásico / T1 T1IE3	505053812000	1

Pompe Pump

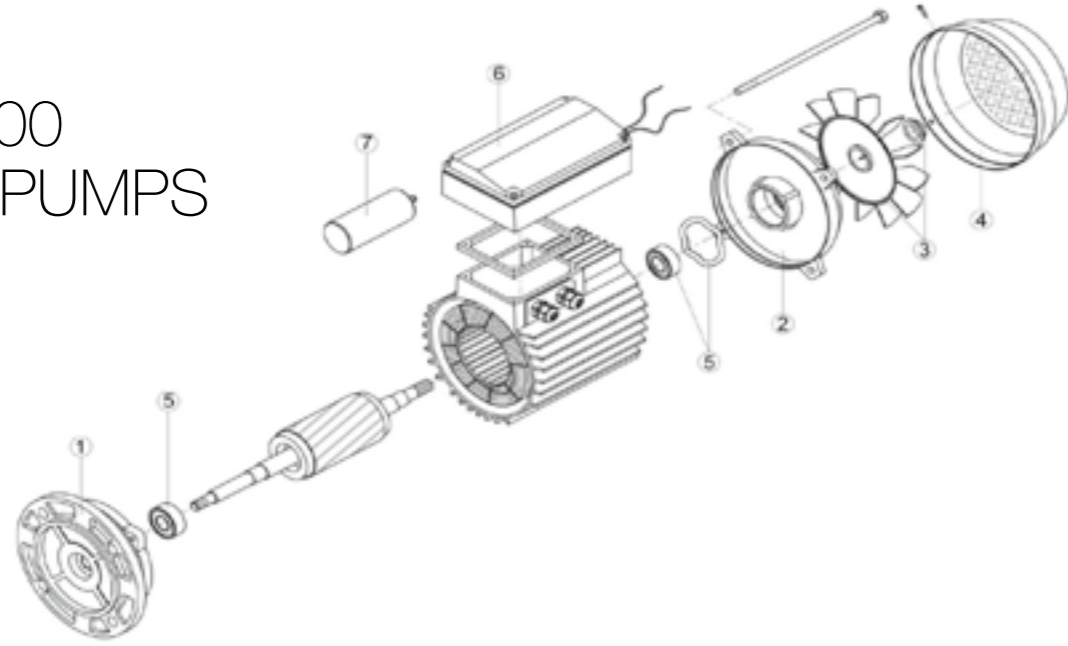
HCP3800



N°	DESCRIPTION (1)	REF./ PART No.	Qty/ Box
1+ 6	Swivel nut + Hand knob • Ecrou rotule + Vis papillon • Gewindezapfen + Flügelsschraube • Rótula + Tornillo mariposa • Perno girevole + Manopola di chiusura • Wartel noot + Schroef vlinder • Tuerca de giro + Parafuso borboleta • Комплект втулок и винтов	500100010003	4
2+ 3	Strainer cover • Couvercle de préfiltre • Deckel • Tapa de prefiltro • Coperchio prefiltro • Zeef dekking • Tampa do filtro • Крышка префильтра	500100020005	1
3	Strainer cover O-Ring • Joint torique • O-Ring • Junta tórica • Guarnizione O'ring • De O-ring van de zeefdekking • O-Ring de tampa do filtro • Уплотнительное кольцо	500100110005	10
3 8 11 16 22 24	Set of gaskets • Pack de joints • Satz Dichtungen • Juego de juntas • Set di guarnizioni • Set van pakkingen • Conjunto de juntas • Комплект прокладок	500131160700	1 2 1 1 1 2
4+ 5	Strainer basket • Panier de préfiltre • Filterkorb • Cesto filtrante • Cestino prefiltro • Zeef mand • Cesta do filtro • Корзина префильтра	500100030005	1
6	Swivel nut • Ecrou rotule • Gewindezapfen • Rótula • Perno girevole • Wartel noot • Tuerca de giro • Комплект втулок	500100160000	10
7+ 8	Drain Plug • Bouchon de vidange • Ablassschraube • Tapón de vaciado • Tappo di spurgo • Afvoerkanaal stop • Plugue de dreño • Комплект сливных пробок	500100000000	10
9	Strainer • préfiltre • Vorfilter • prefiltro • Prefiltro • préfiltre • préfiltre • Корпус насоса	500100140000	1
10	Pump Housing • Corps de pompe • Pumpengehäuse • Cuerpo bomba • Corpo pompa • Lichaam van pomp • Corpo de bomba • Корпус насоса	500100100006	1
11	Diffuser gasket • Joint de diffuseur • Dichtung • Junta de difusor • Guarnizione diffusore • Verbindingsstuk van verspreider • Junta de difusor • Прокладка	500100120003	10
12	Diffuser • Diffuseur • Leitapparat • Difusor • Diffusore • Verspreide • Difusor • Диффузор	500100060004	1
13+ 36+ 37	Impeller • Turbine • Laufrad • Turbina • Girante • Turbine • Turbina • Крыльчатка HCP3825 HCP3830 HCP3835 HCP3845 HCP3855	500100070012 500100070013 500100070014 500100070015 500100070016	1 1 1 1 1
14+ 15	Seal assembly • Obturateur mécanique • Motorhafterung • Cierre mecánico • Tenuta meccanica • Verbindings assemblage • Conjunto de selo • Сальник в сборе	500114150200	1
16	Housing gasket • Joint de corps • Dichtung • Junta • Guarnizione corpo • Huisvestings pakking • Gaxeta da carcaça • Прокладка	500100130003	10
17	Seal plate • Plateau d'étanchéité • Flansch • Plato de cierre • Supporto di fissaggio • Verbindings plaat • Placa do selo • Фланец	500100080003	1
18 48+ 49	Motor support • Support de pompe • Socketteil • Soporte bomba • Supporto pompa • Opzettende steun • Suporte de montagem • Фланец электродвигателя	500100090002	1 2
23+ 35 32+ 33 34 38 39 42+ 43 47	Screw set • Sachet de vis • Schrauben • Kit de tornillos • Set viti di fissaggio • Zakje van schroeven • Saquinho de tornillos • Комплект шурупов	500139420400	4 4 10 6 2 4 2
36+ 37	Impeller screw • Vis de turbine • Turbinenschraube • Tornillo de turbina • Vite di turbina • Schroef van turbine • Tornillos de turbina • Комплект винтов	500100190000	10
41	Slinger • Larmier • Tropfing • Arandela Separación • Rondella di separazione • Tropfing • Arandela Separación • Маслоъемное кольцо	500100410100	10
24+ 25	Union connector kit 90 mm • Kit de raccord union 90 mm • Anschluß-Stecker 90 mm • Asamblea del conector de la unión 90 mm • Assemblage del connettore del sindacato 90 mm • De assemblage van de unieschakelaar 90 mm • Conjunto do conector da união 90 mm • Фитинг 90 мм Union connector kit 3" ANSI • Kit de raccord union 3" ANSI • Anschluß-Stecker 3" ANSI • Asamblea del conector de la unión 3" ANSI • Assemblage del connettore del sindacato 3" ANSI • De assemblage van de unieschakelaar 3" ANSI • Conjunto do conector da união 3" ANSI • Фитинг 3" ANSI	500100150000 500100150001	2 2

Pompe Pump

HCP 3800 SERIES PUMPS MOTOR

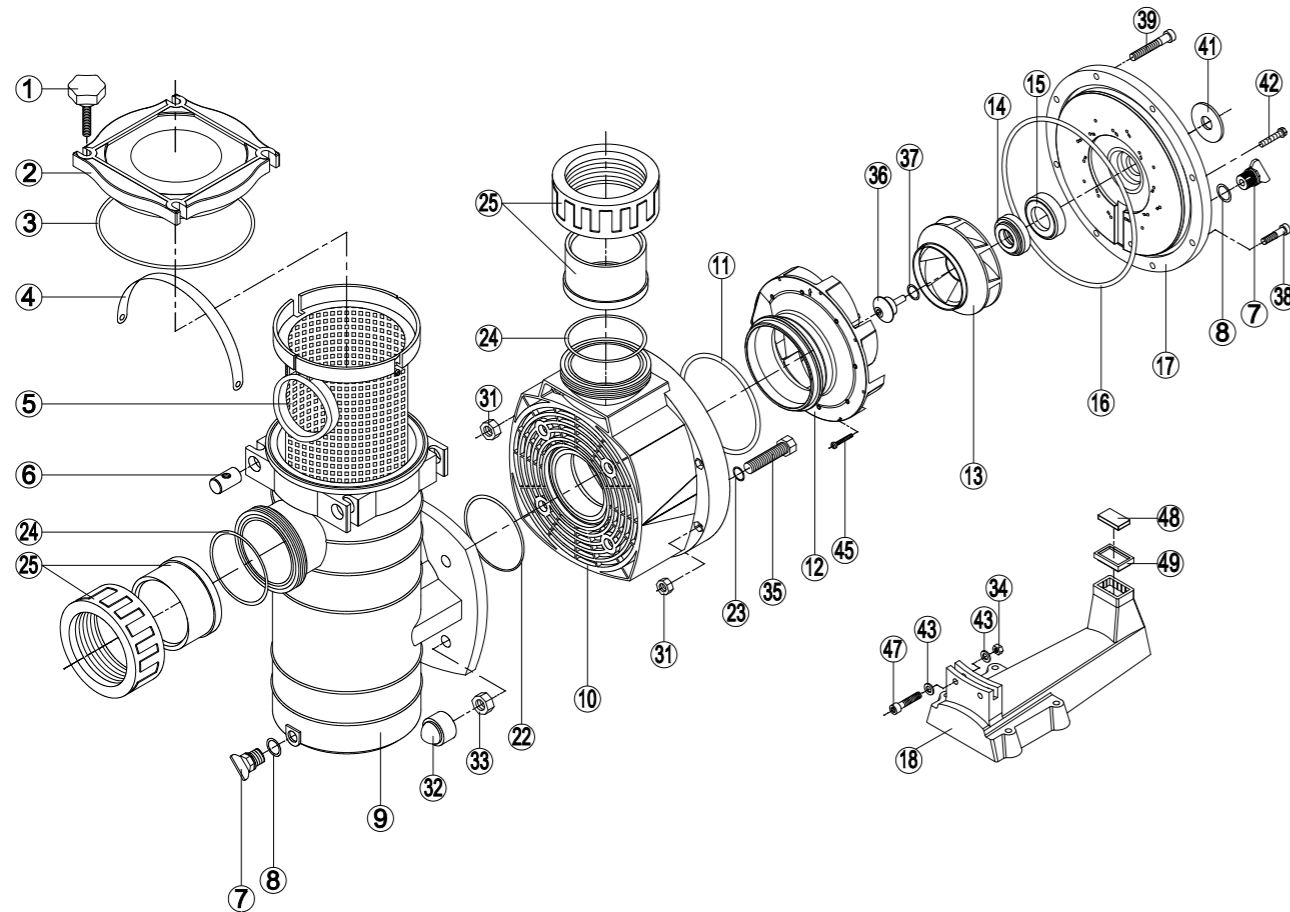


N°	DESCRIPTION (1)	REF./ PART No.	Qty/ Box
1	Motor cover pump side • Bride moteur • Brida motor		
	HCP38253E1 (2,5 HP MEC 80)	505010103000	1
	HCP38303E1 (3 HP MEC 80)		
	HCP38251E (E2) (2,5 HP MEC 90)		
	HCP38253E (2,5 HP MEC 90)	505010104000	1
	HCP38303E (3 HP MEC 90)		
	HCP38301E (E2) (3 HP MEC 90)		
	HCP38353E1 (3,5 HP MEC 90)		
	HCP38453E1 (4,5 HP MEC 90)	505010105000	1
	HCP38353E (3,5 HP MEC 100)		
HCP38453E (4,5 HP MEC 100)			
2	Motor cover fan side • Capot moteur • Tapa motor		
	HCP38253E1 (2,5 HP MEC 80)	505010203300	1
	HCP38303E1 (3 HP MEC 80)		
	HCP38251E (E2) (2,5 HP MEC 90)		
	HCP38253E (2,5 HP MEC 90)	505010204200	1
	HCP38303E (3 HP MEC 90)		
	HCP38301E (E2) (3 HP MEC 90)		
	HCP38353E1 (3,5 HP MEC 90)		
	HCP38453E1 (4,5 HP MEC 90)	505010205200	1
	HCP38353E (3,5 HP MEC 100)		
HCP38453E (4,5 HP MEC 100)			
3	Fan • Ventilateur • Ventilador		
	HCP38253E1 (2,5 HP MEC 80)	505010303300	1
	HCP38303E1 (3 HP MEC 80)		
	HCP38251E (E2) (2,5 HP MEC 90)		
	HCP38253E (2,5 HP MEC 90)	505010304200	1
	HCP38301E (E2) (3 HP MEC 90)		
	HCP38353E1 (3,5 HP MEC 90)		
	HCP38453E1 (4,5 HP MEC 90)		
	HCP38453E (4,5 HP MEC 100)	505010305200	1

N°	DESCRIPTION (1)	REF./ PART No.	Qty/ Box
4	Fan cover • Couvercle ventilateur • Tapa ventilador		
	HCP38253E1 (2,5 HP MEC 80)	505010403200	1
	HCP38303E1 (3 HP MEC 80)		
	HCP38251E (E2) (2,5 HP MEC 90)		
	HCP38253E (2,5 HP MEC 80)	505010404200	1
	HCP38303E (3 HP MEC 90)		
	HCP38301E (E2) (3 HP MEC 90)		
	HCP38353E1 (3,5 HP MEC 90)		
	HCP38453E1 (4,5 HP MEC 90)	505010405200	1
	HCP38353E (3,5 HP MEC 100)		
HCP38453E (4,5 HP MEC 100)			
5	Bearings kit • Kit roulements • Kit rodamientos		
	HCP38253E1 (2,5 HP MEC 80)	505010703000	1
	HCP38303E1 (3 HP MEC 80)		
	HCP38251E (E2) (2,5 HP MEC 90)		
	HCP38253E (2,5 HP MEC 90)	505010704000	1
	HCP38303E (3 HP MEC 90)		
	HCP38301E (E2) (3 HP MEC 90)		
	HCP38353E1 (3,5 HP MEC 90)		
	HCP38453E1 (4,5 HP MEC 90)	505010705000	1
	HCP38353E (3,5 HP MEC 100)		
HCP38453E (4,5 HP MEC 100)			
6	Connection box • Boite de connexion • Caja de conexiones		
	HCP38251E (E2) / HCP38301E (E2) (2,5HP/3 HP MEC 90)	505006000603	1
	HCP38253E (2,5 HP MEC 90)		
	HCP38253E1 (2,5 HP MEC 90)		
	HCP38303E (3HP MEC 90)	505006000604	1
	HCP38303E1 (3 HP MEC 90)		
	HCP38353E1 (3,5 HP MEC 90)		
	HCP38453E1 (4,5 HP MEC 90)		
	HCP38353E (3,5 HP MEC 100)	505006000606	1
	HCP38453E (4,5 HP MEC 100)		
7	Capacitor • Condensateur • Condensador		
	HCP38251E (2,5 HP 90-30 µF) Faston	505010612100	1
	HCP38301E (3 HP 90-36 µF) Faston	505010613000	1
	HCP38251E (2,5 HP - 90-30 µF) Wired	505010602100	1
	HCP38301E (3 HP - 90-36 µF) Wired	505010603000	1
	Complete motor • Moteur complet • Motor completo		
	HCP3800 KAP 250/300 Single phase motor • Moteur mono • Motor monofásico (E2)	505000623000	1
	HCP3800 KAP 250 Three phase motor • Moteur tri • Motor trifásico / T1	505000313100	1
	HCP3800 KAP 250 Three phase motor • Moteur tri • Motor trifásico / T1 IE3	505053413000	1
	HCP3800 KAP 300 Three phase motor • Moteur tri • Motor trifásico / T1	505000313100	1
	HCP3800 KAP 300 Three phase motor • Moteur tri • Motor trifásico / T1 IE3	505053413000	1
	HCP3800 KAP 350 Three phase motor • Moteur tri • Motor trifásico / T1	505000413000	1
	HCP3800 KAP 350 Three phase motor • Moteur tri • Motor trifásico / T1 IE3	505053413100	1
	HCP3800 KAP 450 Three phase motor • Moteur tri • Motor trifásico / T1	505000414000	1
	HCP3800 KAP 450 Three phase motor • Moteur tri • Motor trifásico / T1 IE3	505053414000	1
	HCP3800 KAP 550 Three phase motor • Moteur tri • Motor trifásico / T1	505000511000	1
	HCP3800 KAP 550 Three phase motor • Moteur tri • Motor trifásico / T2	505000521000	1

Pompe Pump

HCP4000

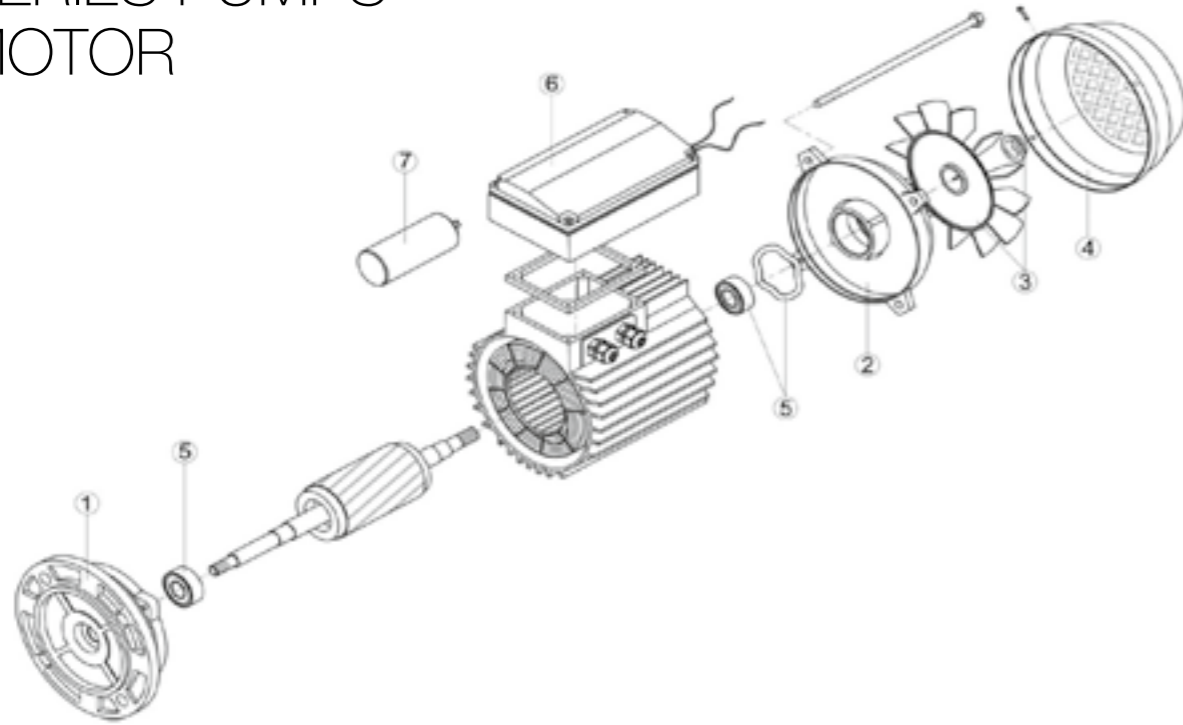


N°	DESCRIPTION ⁽¹⁾	REF./ PART No.	Qty/ Box
1 + 6	Swivel nut + Hand knob • Ecrou rotule + Vis papillon • Gewindezapfen + Flügelschraube • Rótula + Tornillo mariposa • Perno girevole + Manopola di chiusura • Wartel noot + Schroef vliender • Tuerca de giro + Parafuso borboleta • Комплект втулок и винтов	500100010004	4
2 + 3	Strainer cover • Couvercle de préfiltre • Deckel • Tapa de prefiltro • Coperchio prefiltro • Zeef dekking • Tampa do filtro • Крышка префильтра	500100020006	1
3	Strainer cover O-Ring • Joint torique • O-Ring • Junta tórica • Guarnizione O'ring • De O-ring van de zeefdekking • O-Ring de tampa do filtro • Уплотнительное кольцо	500100110006	10
3 8 11 16 22 24	Set of gaskets • Pack de joints • Satz Dichtungen • Juego de juntas • Set di guarnizioni • Set van pakkingen • Conjunto de juntas • Комплект прокладок	500131160900	1 2 1 1 1 2
4 + 5	Strainer basket • Panier de préfiltre • Filterkorb • Cesto filtrante • Cestino prefiltro • Zeef mand • Cesta do filtro • Корзина префильтра	500100030006	1
6	Swivel nut • Ecrou rotule • Gewindezapfen • Rótula • Perno girevole • Wartel noot • Tuerca de giro • Комплект втулок	500100160001	10
7 + 8	Drain Plug • Bouchon de vidange • Ablassschraube • Tapón de vaciado • Tappo di spurgo • Afvoerkanal stop • Pluque de dreño • Комплект сливных пробок	500100000000	10

N°	DESCRIPTION ⁽¹⁾	REF./ PART No.	Qty/ Box
9	Strainer • Préfiltre • Vorfilter • Prefiltro • Prefiltro • Préfiltre • Préfiltre • Корпус насоса	500100140001	1
10	Pump Housing • Corps de pompe • Pumpengehäuse • Cuerpo bomba • Corpo pompa • Lichaam van pomp • Corpo de bomba • Корпус насоса	500100100007	1
11	Diffuser gasket • Joint de diffuseur • Dichtung • Junta de difusor • Guarnizione diffusore • Verbindingsstuk van verspreider • Junta de difusor • Прокладка	500100120004	10
12 45	Diffuser • Diffuseur • Leitapparat • Difusor • Diffusore • Verspreide • Difusor • Диффузор		
12 45	HCP4055/HCP4065/HCP4075	500100060005	1 16
12 45	Old models KAN1010 - KAN1260	500100060006	1 16
12 45	10 - 12,5 HP (current model HCP4000 & KAN1020 / KAN1270)	500100060007	1 16
13 + 36 + 37	Impeller • Turbine • Laufrad • Turbina • Girante • Turbine • Turbina • Крыльчатка		
	HCP4055 Seal	500100070020	1
	HCP4065	500100070021	1
	HCP4075	500100070022	1
	10 HP (old model KAN1010)	500100070023	1
	HCP40100	500100070034	1
	12,5 hp (old model KAN1260)	500100070024	1
	HCP40125	500100070028	1
14 + 15	Seal assembly • Obturateur mécanique • Motorhalterung • Cierre mecánico • Tenuta meccanica • Verbindings assemblage • Conjunto de selo • Сальник в сборе		
	5,5 / 6,5 / 7,5 HP & old models 10 / 12,5 HP KAN1010 / KAN1260	500114150200	1
	10 / 12,5 HP current models HCP4000 & KAN1020 / KAN1270	500114150300	1
16	Housing gasket • Joint de corps • Dichtung • Junta • Guarnizione corpo • Huisvestings pakking • Gaxeta da carcaça • Прокладка	500100130004	10
17	Seal plate • Plateau d'étanchéité • Flansch • Plato de cierre • Supporto di fissaggio • Verbindings plaat • Placa do selo • Фланец		
	5,5 / 6,5 / 7,5 HP & old models 10 / 12,5 HP KAN1010 / KAN1260	500100080004	1
	10 / 12,5 HP current models HCP4000 & KAN1020 / KAN1270	500100080005	1
18 + 48 + 49	Motor support • Support de pompe • Socketteil • Soporte bomba • Supporto pompa • Opzettende steun • Soporte de montagem • Фланец электродвигателя		
18 48 49	HCP4055/HCP4065/HCP4075	500100090003	1 2 3
23 + 35 31 32 + 33 34 38 39 42 + 43 47	Screw set • Sachet de vis • Schrauben • Kit de tornillos • Set viti di fissaggio • Zakje van schroeven • Saquinho de tornillos • Комплект шурупов	500139420500	4 8 4 2 6 2 4 2
36 + 37	Impeller screw • Vis de turbine • Turbinenschraube • Tornillo de turbina • Vite di turbina • Schroef van turbine • Tornillos de turbina • Комплект винтов		
	5,5 / 6,5 / 7,5 HP & old models 10 / 12,5 HP KAN1010 / KAN1260	500100190000	10
	10 / 12,5 HP current models HCP4000 & KAN1020 / KAN1270	500100190001	10
41	Slinger • Larmier • Tropfing • Arandela Separación • Rondella di separazione • Tropfing • Arandela Separación • Маслольемное кольцо	500100410100	10
24 + 25	Union connector kit 110 mm • Kit de raccord union 110 mm • Anschluß-Stecker 110 mm • Asamblea del conector de la unión 110 mm • Assemblée del connettore del sindacato 110 mm • De assemblage van de unieschakelaar 110 mm • Conjunto do conector da união 110 mm • Фитинг 110 мм	500100150002	2
	Union connector kit 4" ANSI • Kit de raccord union 4" ANSI • Anschluß-Stecker 4" ANSI • Asamblea del conector de la unión 4" ANSI • Assemblée del connettore del sindacato 4" ANSI • de assemblage van de unieschakelaar 4" ANSI • Conjunto do conector da união 4" ANSI • Фитинг 4" ANSI	500100150003	

Pompe Pump

HCP 4000 SERIES PUMPS MOTOR

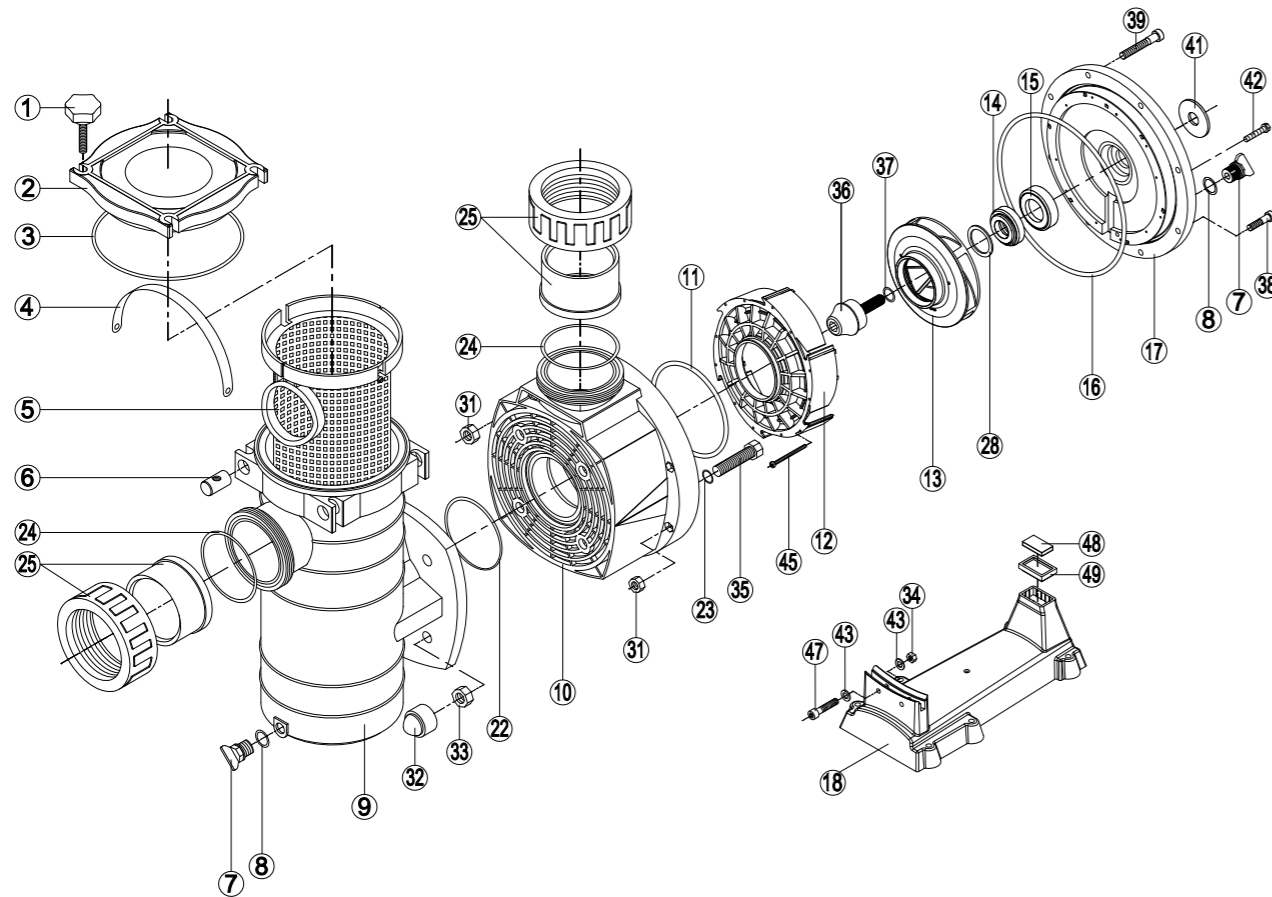


N°	DESCRIPTION ⁽¹⁾	REF./ PART No.	Qty/ Box
1	Motor cover pump side • Bride moteur • Brida motor		
	HCP40553E1 (5,5 HP MEC 100)	505010105000	1
	HCP40653E1 (6,5 HP MEC 100)		
	HCP40553E (5,5 HP MEC 112)		
	HCP40653E (6,5 HP MEC 112)	505010106000	1
	HCP40753E (7,5 HP MEC 112)		
	HCP40753E1 (7,5 HP MEC 112)		
	HCP401003E (10 HP MEC 132)		
HCP401003E1 (10 HP MEC 132)	505010107000	1	
HCP401253E1 (12,5 HP MEC 132)			
2	Motor cover fan side • Capot moteur • Tapa motor		
	HCP40553E1 (5,5 HP MEC 100)	505010205200	1
	HCP40653E1 (6,5 HP MEC 100)		
	HCP40553E (5,5 HP MEC 112)		
	HCP40653E (6,5 HP MEC 112)	505010206200	1
	HCP40753E (7,5 HP MEC 112)		
	HCP40753E1 (7,5 HP MEC 112)		
	HCP401003E (10 HP MEC 132)		
HCP401003E1 (10 HP MEC 132)	505010207200	1	
HCP401253E1 (12,5 HP MEC 132)			

N°	DESCRIPTION ⁽¹⁾	REF./ PART No.	Qty/ Box
3	Fan • Ventilateur • Ventilador		
	HCP40653E (6,5 HP MEC 112)	505010302200	1
	HCP40753E (7,5 HP MEC 112)		
	HCP40553E1 (5,5 HP MEC 100)	505010305200	1
	HCP40653E1 (6,5 HP MEC 100)		
	HCP40553E (5,5 HP MEC 112)	505010306200	1
	HCP40753E1 (7,5 HP MEC 112)		
HCP401003E (10 HP MEC 132)	505010307200	1	
HCP401253E1 (12,5 HP MEC 132)			
4	Fan cover • Couvercle ventilateur • Tapa ventilador		
	HCP40553E1 (5,5 HP MEC 100)	505010405200	1
	HCP40653E1 (6,5 HP MEC 100)		
	HCP40553E (5,5 HP MEC 112)		
	HCP40653E (6,5 HP MEC 112)	505010406200	1
	HCP40753E (7,5 HP MEC 112)		
	HCP40753E1 (7,5 HP MEC 112)		
	HCP401003E (10 HP MEC 132)		
HCP401003E1 (10 HP MEC 132)	505010407200	1	
HCP401253E1 (12,5 HP MEC 132)			
5	Bearings kit • Kit roulements • Kit rodamientos		
	HCP40553E1 (5,5 HP MEC 100)	505010705000	1
	HCP40653E1 (6,5 HP MEC 100)		
	HCP40553E (5,5 HP MEC 112)		
	HCP40653E (6,5 HP MEC 112)	505010706000	1
	HCP40753E (7,5 HP MEC 112)		
	HCP40753E1 (7,5 HP MEC 112)		
	HCP401003E (10 HP MEC 132)		
HCP401003E1 (10 HP MEC 132)	505010707000	1	
HCP401253E1 (12,5 HP MEC 132)			
6	Connection box • Boîte de connexion • Caja de conexiones		
	HCP40553E1 (5,5 HP MEC 100)	505006000606	1
	HCP40653E1 (6,5 HP MEC 100)		
	HCP40553E (5,5 HP MEC 112)		
	HCP40653E (6,5 HP MEC 112)		
	HCP40753E (7,5 HP MEC 112)		
	HCP40753E1 (7,5 HP MEC 112)	505006000607	1
	HCP401003E (10 HP MEC 132)		
HCP401003E1 (10 HP MEC 132)			
HCP401253E1 (12,5 HP MEC 132)			
Complete motor • Moteur complet • Motor completo	HCP4000 - KAN 510 Three phase motor • Moteur tri • Motor trifásico / T2	505000521000	1
	HCP4000 - KAN 510 Three phase motor • Moteur tri • Motor trifásico / T2 IE3	505053521000	1
	HCP4000 - KAN 610 Three phase motor • Moteur tri • Motor trifásico / T2	505000522000	1
	HCP4000 - KAN 610 Three phase motor • Moteur tri • Motor trifásico / T2 IE3	505053522000	1
	HCP4000 - KAN 760 Three phase motor • Moteur tri • Motor trifásico / T2	505000622000	1
	HCP4000 - KAN 760 Three phase motor • Moteur tri • Motor trifásico / T2 IE3	505053622000	1
	HCP4000 - KAN 1020 Three phase motor • Moteur tri • Motor trifásico / T2	505000722000	1
	HCP4000 - KAN 1020 Three phase motor • Moteur tri • Motor trifásico / T2 IE3	505053722000	1
	HCP4000 - KAN 1270 Three phase motor • Moteur tri • Motor trifásico / T2	505000723100	1

Pompe Pump

HCP4200

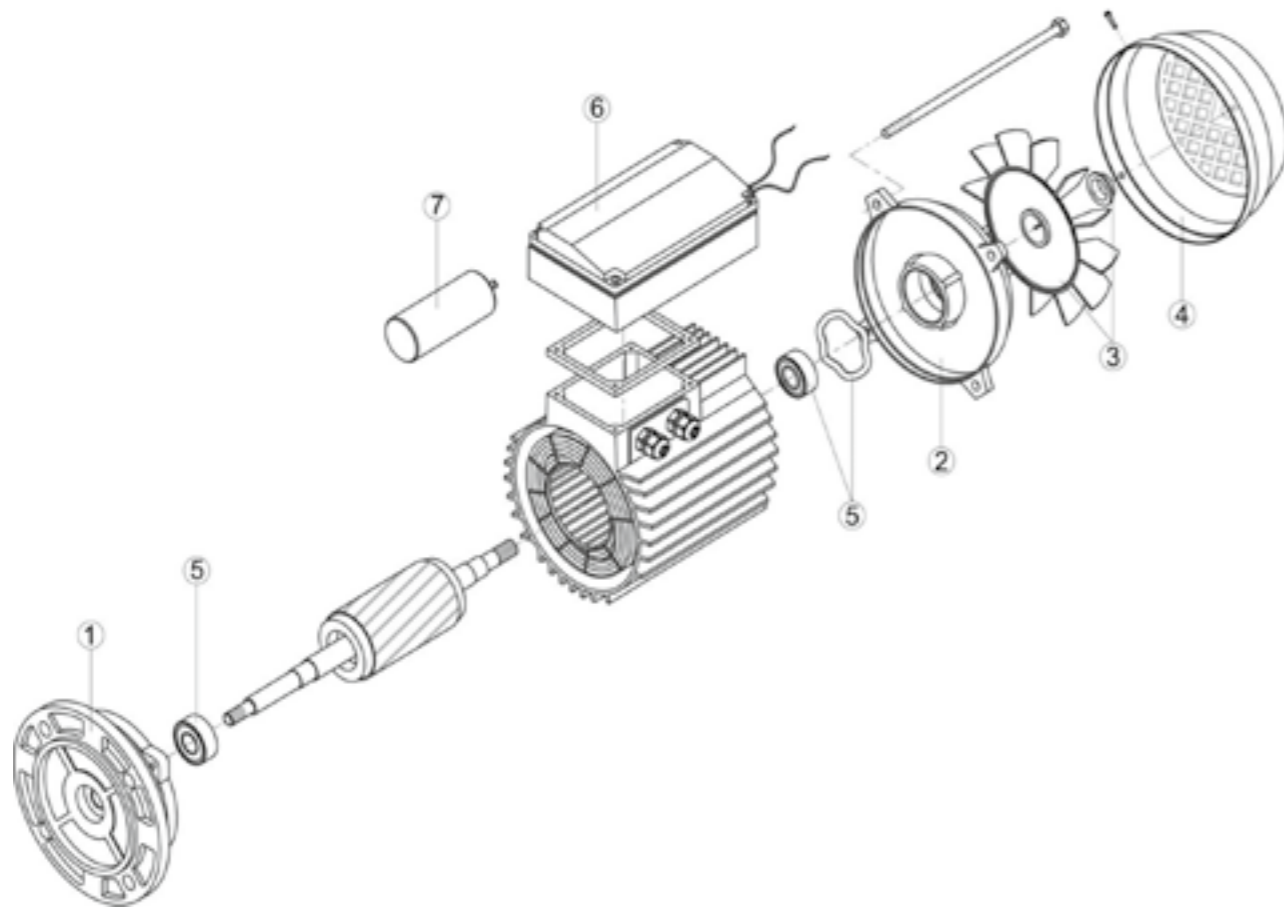


N°	DESCRIPTION (1)	REF./ PART No.	Qty/ Box
1 + 6	Swivel nut + Hand knob • Ecrou rotule + Vis papillon • Gewindezapfen + Flügelschraube • Rótula + Tornillo mariposa • Perno girevole + Manopola di chiusura • Wartel noot + Schroef viender • Tuerca de giro + Parafuso borboleta • Комплект втулок и винтов	500100010004	4
2 + 3	Strainer cover • Couverture de préfiltre • Deckel • Tapa de prefiltro • Coperchio prefiltro • Zeef dekking • Tampa do filtro • Крышка префильтра	500100020006	1
3	Strainer cover O-Ring • Joint torique • O-Ring • Junta tórica • Guarnizione O'ring • De O-ring van de zeefdekking • O-Ring de tampa do filtro • Уплотнительное кольцо	500100110006	10
3 8 11 16 22 24	Set of gaskets • Pack de joints • Satz Dichtungen • Juego de juntas • Set di guarnizioni • Set van pakkingen • Conjunto de juntas • Комплект прокладок	500131160900	1 2 1 1 1 2
4 + 5	Strainer basket • Panier de préfiltre • Filterkorb • Cesto filtrante • Cestino prefiltro • Zeef mand • Cesta do filtro • Корзина префильтра	500100030006	1
6	Swivel nut • Ecrou rotule • Gewindezapfen • Rótula • Perno girevole • Wartel noot • Tuerca de giro • Комплект втулок	500100160001	10
7 + 8	Drain Plug • Bouchon de vidange • Ablasschraube • Tapón de vaciado • Tappo di spurgo • Afvoerkanaal stop • Plugue de dreño • Комплект сливных пробок	500100000000	10
9	Strainer • Préfiltre • Vorfilter • Prefiltro • Prefiltro • Préfiltre • Préfiltre • Корпус насоса	500100140001	1
10	Pump Housing • Corps de pompe • Pumpengehäuse • Cuerpo bomba • Corpo pompa • Lichaam van pomp • Corpo de bomba • Корпус насоса	500100100007	1
11	Diffuser gasket • Joint de diffuseur • Dichtung • Junta de difusor • Guarnizione diffusore • Verbindingsstuk van verspreider • Junta de difusor • Прокладка	500100120004	10
12 45	Diffuser • Diffuseur • Leitapparat • Difusor • Diffusore • Verspreide • Difusor • Диффузор	500100060007	1 12
13 + 28 + 36 + 37	Impeller • Turbine • Laufrad • Turbina • Girante • Turbine • Turbina • Крыльчатка HCP4255 HCP4275 HCP42100	500100070025 500100070026 500100070027	1 1 1
14 + 15	Seal assembly • Obturateur mécanique • Motorhalterung • Cierre mecánico • Tenuta meccanica • Verbindings assemblage • Conjunto de selo • Сальник в сборе	500114150300	1
16	Housing gasket • Joint de corps • Dichtung • Junta • Guarnizione corpo • Huisvestings pakking • Gaxeta da carcaça • Прокладка	500100130004	10
17	Seal plate • Plateau d'étanchéité • Flansch • Plato de cierre • Supporto di fissaggio • Verbindings plaat • Placa do selo • Фланец	500100080005	1
18 + 48 + 49	Motor support • Support de pompe • Socketteil • Soporte bomba • Supporto pompa • Opzettende steun • Suporte de montagem • Фланец электродвигателя		
18 48 49	HCP4255	500100090002	1 1 1
18 48 49	HCP4275/HCP42100	500100090003	1 1 1
23 + 35 31 32 + 33 34 38 39 42 + 43 47	Screw set • Sachet de vis • Schrauben • Kit de tornillos • Set viti di fissaggio • Zakje van schroeven • Saquinho de tornillos • Комплект шурупов	500139420500	4 8 4 2 6 2 4 2
36 + 37	Impeller screw • Vis de turbine • Turbinenschraube • Tornillo de turbina • Vite di turbina • Schroef van turbine • Tornillos de turbina • Комплект винтов	500100190001	10
41	Slinger • Larmier • Trofing • Arandela Separación • Rondella di separazione • Trofing • Arandela Separación • Маслосъемное кольцо	500100410100	10
24 + 25	Union connector kit 110 mm • Kit de raccord union 110 mm • Anschluß-Stecker 110 mm • Asamblea del conector de la unión 110 mm • Assembla del connettore del sindacato 110 mm • De assemblage van de unieschakelaar 110 mm • Conjunto do conector da união 110 mm • Фитинг 110 мм Union connector kit 4" ANSI • Kit de raccord union 4" ANSI • Anschluß-Stecker 4" ANSI • Asamblea del conector de la unión 4" ANSI • Assembla del connettore del sindacato 4" ANSI • de assemblage van de unieschakelaar 4" ANSI • Conjunto do conector da união 4" ANSI • Фитинг 4" ANSI	500100150002 500100150003	2 2

Pompe

Pump

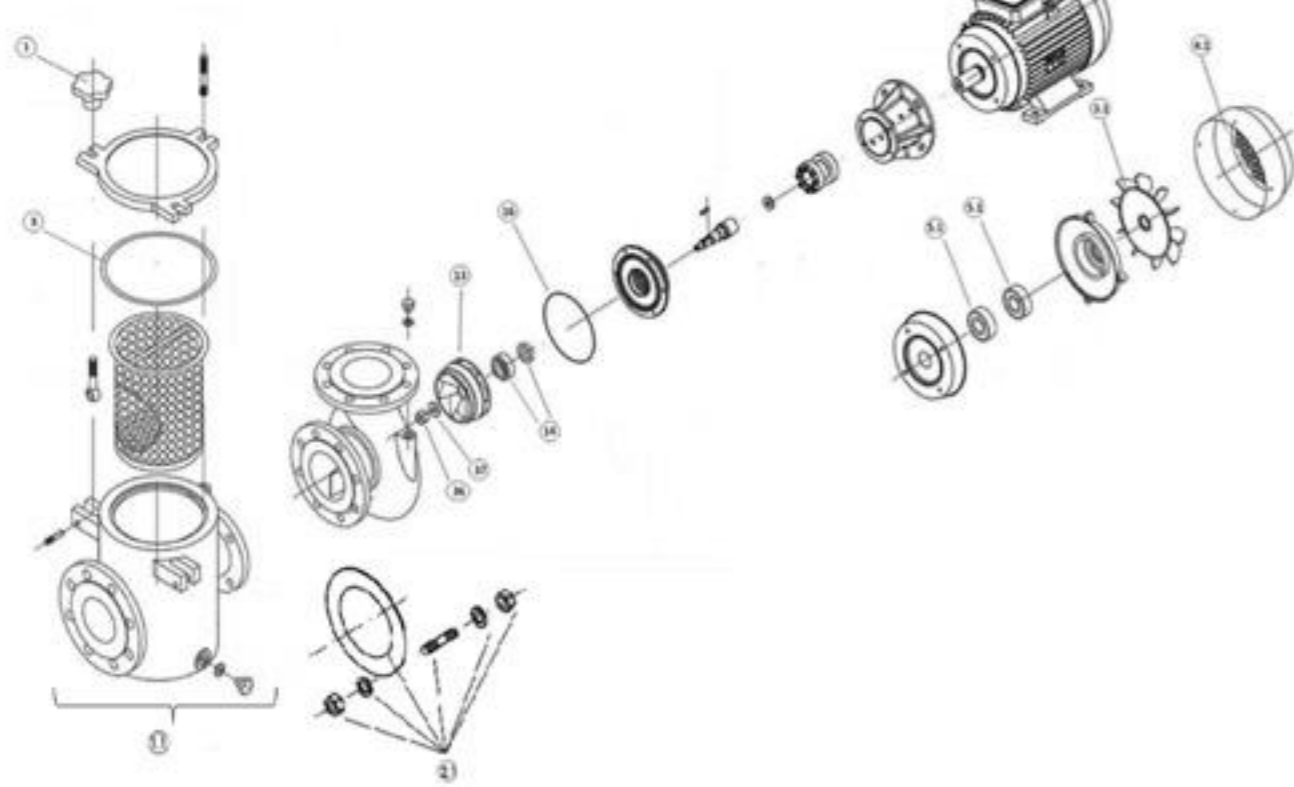
HCP 4200 SERIES PUMPS MOTOR



N°	DESCRIPTION ⁽¹⁾	REF./ PART No.	Qty/ Box
1	Motor cover pump side • Bride moteur • Brida motor		
	HCP42553E (5,5 HP MEC 112)	505010106000	1
	HCP42753E (7,5 HP MEC 132)	505010107000	1
	HCP421003E (10 HP MEC 132)		
2	Motor cover fan side • Capot moteur • Tapa motor		
	HCP42553E (5,5 HP MEC 112)	505010206200	1
	HCP42753E (7,5 HP MEC 132)	505010207200	1
	HCP421003E (10 HP MEC 132)		
3	Fan • Ventilateur • Ventilador		
	HCP42553E(5,5 HP MEC 112)		
	HCP421003E (10 HP MEC 132)	505010303300	1
	HCP42753E (7,5 HP MEC 132)		
4	Fan cover • Couvercle ventilateur • Tapa ventilador		
	HCP42553E - IE3, BLUE (5,5 HP MEC 112)	505010406200	1
	HCP42753E - IE2-IE3, BLUE (7,5 HP MEC 132)	505010407200	1
	HCP421003E - IE2, SHORT, BLUE (10 HP MEC 132)	505010407200	1
	HCP421003E - IE3, LONG, BLUE (10 HP MEC132)	505010418200	1
5	Bearings kit • Kit roulements • Kit rodamientos		
	HCP42553E (5,5 HP MEC 112)	505010706000	1
	HCP42753E (7,5 HP MEC 132)	505010707000	1
	HCP421003E (10 HP MEC 132)		
6	Connection box • Boite de connexion • Caja de conexiones		
	HCP42553E (5,5 HP MEC 112)		
	HCP42753E (7,5 HP MEC 132)	505006000607	1
	HCP421003E (10 HP MEC 132)		
6	Complete motor • Moteur complet • Motor completo		
	KAL 500 Three phase motor • Moteur tri • Motor trifásico / T2 IE2 1500 RPM	505000621000	1
	KAL 750 Three phase motor • Moteur tri • Motor trifásico / T2 IE2 1500 RPM	505000721000	1
	KAL 1000 Three phase motor • Moteur tri • Motor trifásico / T2 IE2 1500 RPM	505000722100	1
	HCP42553E Three phase motor • Moteur tri • Motor trifásico /T2 IE3 1500 RPM	505053920000	1
	HCP42753E Three phase motor • Moteur tri • Motor trifásico /T2 IE3 1500 RPM	505053910100	1
	HCP421003E Three phase motor • Moteur tri • Motor trifásico /T2 IE3 1500 RPM	505053910200	1

Pompe Pump

HCP5000 - 2.900 rpm

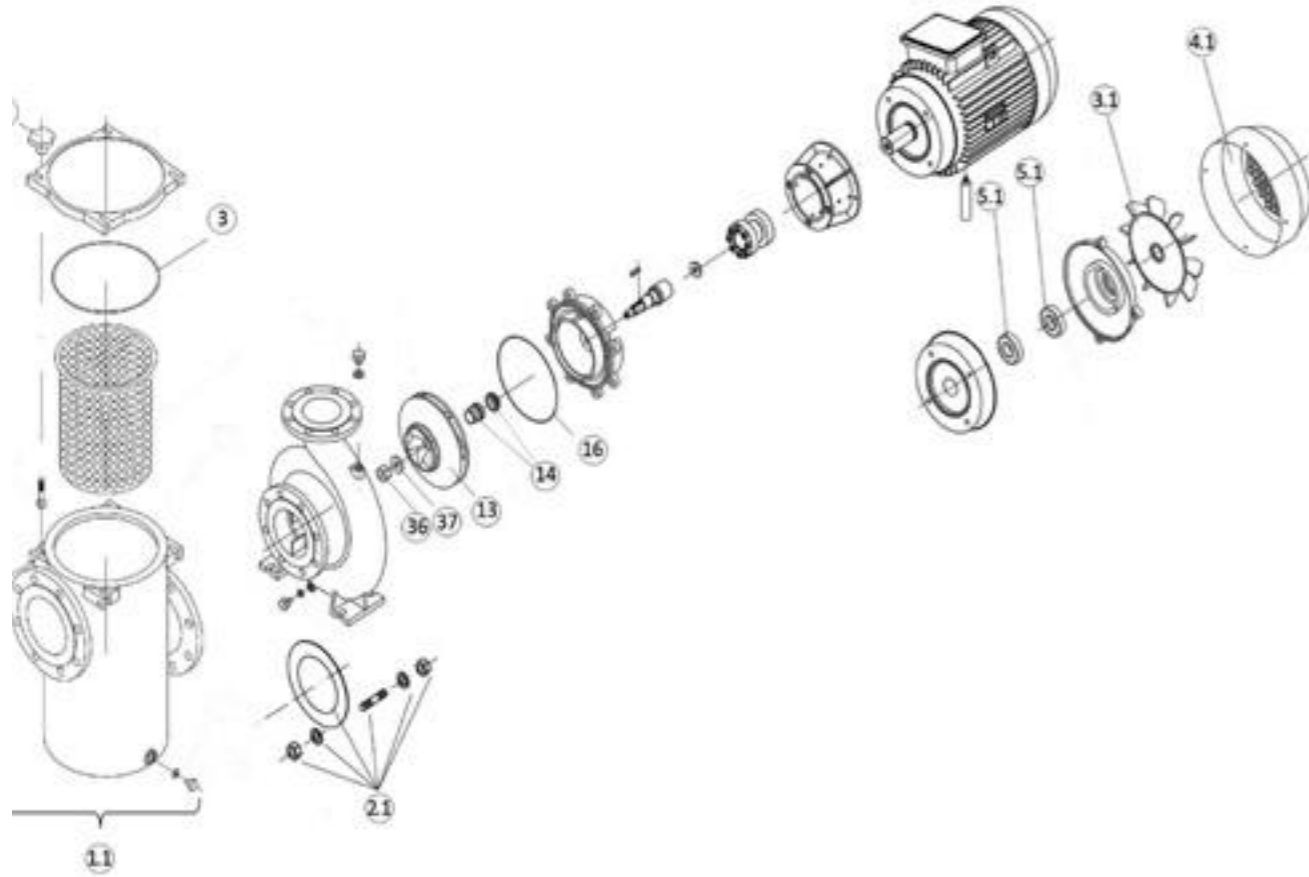


HP	V	IE1	IE3
2	230/400	HCP5023E124	HCP5023E24
3	230/400	HCP5033E124	HCP5033E24
4	230/400	HCP5043E124	HCP5043E24
5,5	230/400	HCP50553E124	HCP50553E24
5,5	400/700	HCP50553E17	HCP50553E7
7,5	400/700	HCP50753E17	HCP50753E7
10	400/700	HCP50103E17	HCP50103E7
12,5	400/700	HCP501253E17	HCP501253E7

N°	DESCRIPTION ⁽¹⁾	REF./ PART No.	Qty/ Box	
1.1	Complete basket strainer • Préfiltre complet • Prefiltro completo	13520700002	1	
	2 & 3 hp (230/400V)	13531000002	1	
	4 & 5,5 hp (230/400V)	13541000002	1	
	5,5, 7,5, 10 & 12,5 hp (400/700V)			
2.1	Coupling kit • kit de couplément • kit de acoplamiento	1KIT0500000	1	
	2 & 3 hp (230/400V)	1KIT1000000	1	
4	Hand knob • Vis papillon • Tornillo mariposa	4060410R	4	
3	Strainer cover O-Ring • Joint couvercle préfiltre • Junta tapa prefiltro	4051810R	6	
		4051710R	6	
13	Bronze Impeller • Turbine en bronze • Turbina de bronce	2111039	1	
		2 hp (230/400V 50Hz)	2111038	1
		3 hp (230/400V 50Hz)	2293022	1
		4 hp (230/400V 50Hz)	2293021	1
		5,5 hp (230/400V 50Hz)	2292824	1
		5,5 hp (400/700V 50Hz)	2292823	1
		7,5 hp (400/700V 50Hz)	2292822	1
		10 hp (400/700V 50Hz)	2292821	1
36	Impeller nut • Écrou turbine • Tuerca turbina	4211430	1	
		4211450	1	
37	Impeller washer • Rondelle turbine • Arandela turbina	4201450	1	
14	Mechanical seal • Garniture mécanique • Cierre mecánico	2342513E	1	
16	Pump housing seal • Joint de corps • Junta cuerpo bomba	4051510R	2	
3.1	Fan • Ventilateur • Ventilador	4641410	1	
		2 hp (230/400V)	4641511	1
		3 & 4 hp (230/400V)	4641510	1
		5,5 hp (230 / 400 / 700 V)	4641610	1
4.1	Fan cover • Couvercle ventilateur • Tapa ventilador	3560401	1	
		2 hp (230/400V)	3560313	1
		3 & 4 hp (230/400V)	3560410	1
		5,5 hp (230 / 400 / 700 V)	3560611	1
5.1	Bearings • Roulements • Rodamientos	4541410	1	
		2 hp (230/400V)	4541510	1
		3 & 4 hp (230/400V)	4542010	1
		5,5 hp (230 / 400 / 700 V)	4542110	1
5.1	7,5, 10 & 12,5 hp (400/700V)			

Pompe Pump

HCP5200 - 1.450 rpm



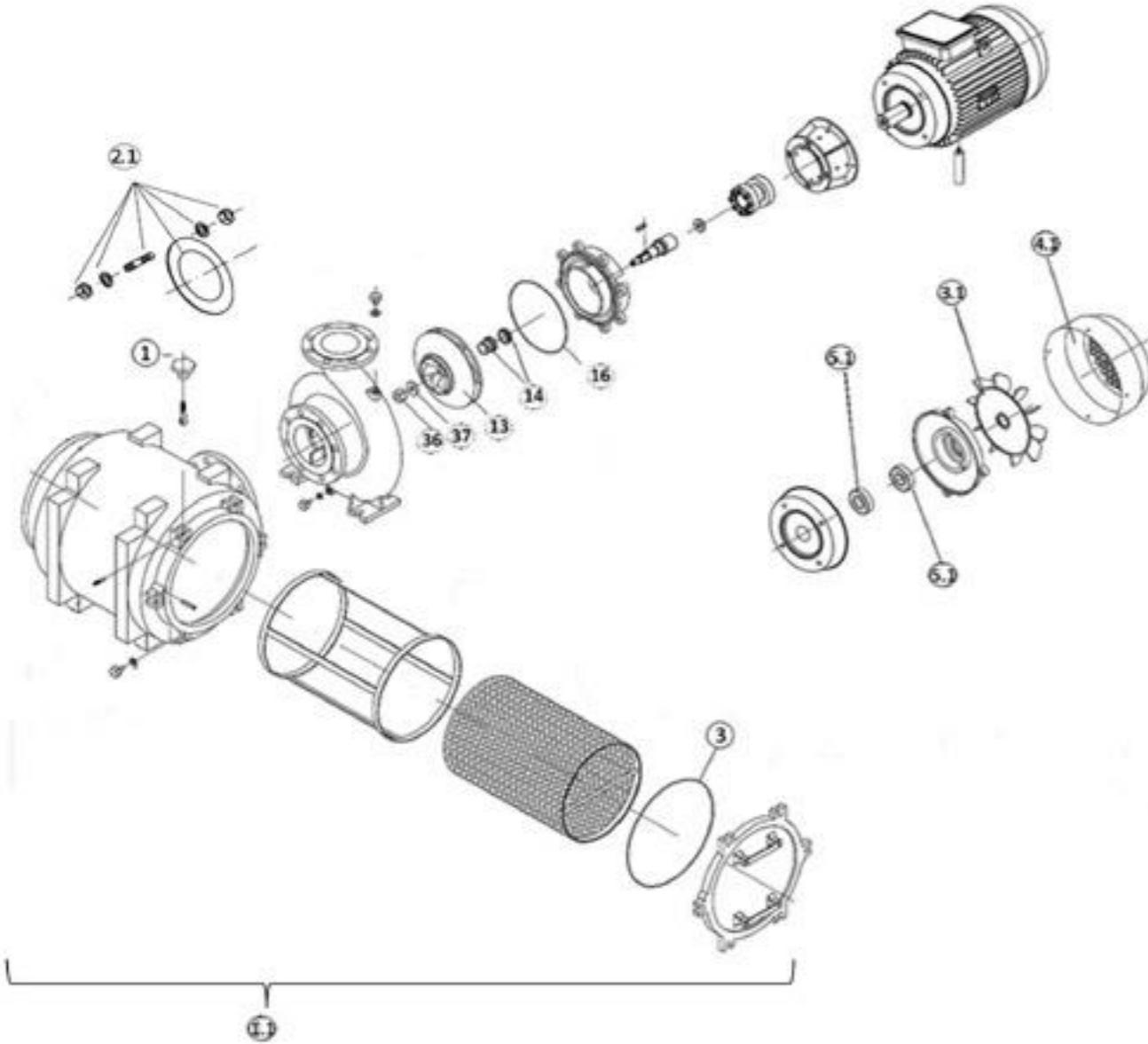
HP	V	IE1	IE3
2	230/400	HCP5223E124	HCP5223E24
3	230/400	HCP5233E124	HCP5233E24
4	230/400	HCP5243E124	HCP5243E24
5,5	230/400	HCP5253E17	HCP5253E7
7,5	400/700	HCP5273E17	HCP5273E7
10	400/700	HCP52103E17	HCP52103E7
12,5	400/700	HCP521253E17	HCP521253E7
15	400/700	HCP52153E17	HCP52153E7
10	400/700	HCP62103E17	HCP62103E7
12,5	400/700	HCP621253E17	HCP621253E7
15	400/700	HCP62153E17	HCP62153E7

N°	DESCRIPTION ⁽¹⁾	REF./ PART No.	Qty/ Box
1.1	Complete basket strainer • Préfiltre complet • Prefiltro completo 2 & 3 hp (230/400V) 4 hp (230/400 V) & 5,5 hp (400 / 700V) 7,5 & 10 hp (400/700V) 12,5 & 15 hp (400/700V) 10,12,5 & 15 hp (400/700V)	13530600002	1
		13531000002	1
		13541200002	1
		13551200002	1
		13551500002	1
2.1	Coupling kit • kit de couplement • kit de acoplamiento 2 & 3 hp (230/400V) 4 hp (230/400 V) & 5,5 hp (400 / 700V) 7,5 - 15 hp (400/700V) 10, 12,5 & 15 hp (400/700V)	1KIT0650000	1
		1KIT1000000	1
		1KIT1250000	1
		1KIT1500000	1
1	Hand knob • Vis papillon • Tornillo mariposa 2 - 15 hp (All items, todas las referencias, toutes les références) 10, 12,5 & 15 hp (400/700V)	4060410R	4
		4060510R	4
3	Strainer cover O-Ring • Joint couvercle préfiltre • Junta tapa prefiltro 2,3 & 4 hp (230/400 V) & 5,5 hp (400 / 700V) 7,5 - 15 hp (400/700V) 10, 12,5 & 15 hp (400/700V)	4051810R	6
		4051710R	6
		4051910R	6
13	Bronze Impeller • Turbine en bronze • Turbina de bronze 2 hp (230/400V 50Hz) 3 hp (230/400V 50Hz) 4 hp (230/400V 50Hz) 5,5 hp (400/700V 50Hz) 7,5 hp (400/700V 50Hz) 10 hp (400/700V 50Hz) 12,5 hp (400/700V 50Hz) 15 hp (400/700V 50Hz) 10 hp (400/700V 50Hz) 12,5 hp (400/700V 50Hz) 15 hp (400/700V 50Hz)	2290826	1
		2290825	1
		2293522	1
		2293521	1
		2293422	1
		2293421	1
		2292922	1
		2292921	1
		2292228	1
		2292225	1
		2292223	1
36	Impeller nut • Écrou turbine • Tuerca turbina 2 & 3 hp (230/400V) 4 up to 15 hp (All items, todas las referencias, toutes les références)	4211450	1
		4212250	1
37	Impeller washer • Rondelle turbine • Arandela turbina 2 & 3 hp (230/400V) 4 up to 15 hp (All items, todas las referencias, toutes les références)	4201450	1
		4202250	1
14	Mechanical seal • Garniture mécanique • Cierre mecánico 2 & 3 hp (230/400V) 4 up to 15 hp (All items, todas las referencias, toutes les références)	2342511E	1
		2343510E	1
16	Pump housing seal • Joint de corps • Junta cuerpo bomba	4052710R	2
3.1	Fan • Ventilateur • Ventilador 2 hp (230/400V) 3 & 4 hp (230/400V) 5,5 hp (400/700V) 7,5, 10 & 12,5 hp (400/700V) 15 hp (400/700V)	4641410	1
		4641511	1
		4641512	1
		4641611	1
		4641710	1
4.1	Fan cover • Couvercle ventilateur • Tapa ventilador 2 hp (230/400V) 3 & 4 hp (230/400V) 5,5 hp (400/700V) 7,5, 10 & 12,5 hp (400/700V) 15 hp (400/700V)	3560401	1
		3560313	1
		3560410	1
		3560611	1
		3560511	1
5.1	Bearings • Roulements • Rodamientos 2 hp (230/400V) 3 & 4 hp (230/400V) 5,5 hp (400/700V) 7,5, 10 & 12,5 hp (400/700V) 15 hp (400/700V)	4541410	1
		4541510	1
		4542010	1
		4542110	1
		4542210	1

Pompe

Pump

HCP5200 - 20,25,30,40 HP - 1.450 rpm)



HP	V	IE1	IE3
20	400/700	HCP52203E17	HCP52203E7
25	400/700	HCP52253E17	HCP52253E7
30	400/700	HCP52303E17	HCP52303E7
40	400/700	HCP52403E17	HCP52403E7

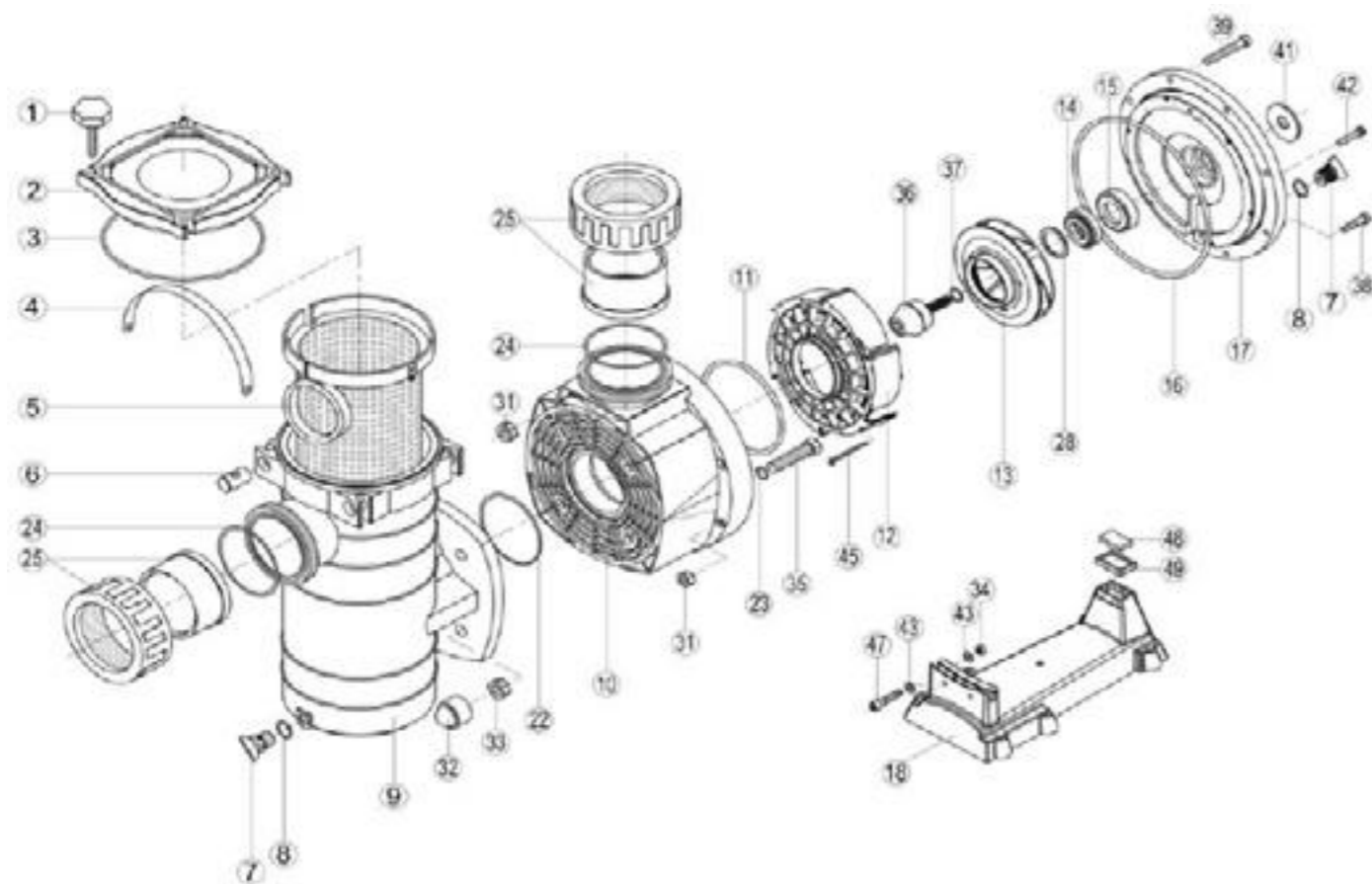
N°	DESCRIPTION (1)	REF./ PART No.	Qty/ Box
1.1	Complete basket strainer • Préfiltre complet • Prefiltro completo 20 & 25 hp (400/700V) 30 & 40 hp (400/700V)	13651500002	1
		13662000002	1
2.1	Complete basket strainer • Préfiltre complet • Prefiltro completo 20 & 25 hp (400/700V) 30 & 40 hp (400/700V)	1KIT1500000	1
		1KIT2000000	1
1	Hand knob • Vis papillon • Tornillo mariposa	4060510R	1
3	Strainer cover O-Ring • Joint couvercle préfiltre • Junta tapa prefiltro	4054610R	1
13	Bronze Impeller • Turbine en bronze • Turbina de bronze 20 hp (400/700V 50Hz) 25hp (400/700V 50Hz) 30 hp (400/700V 50Hz) 40 hp (400/700V 50Hz)	2293222	1
		2293221	1
		2293324	1
		2293323	1
36	Impeller nut • Écrou turbine • Tuerca turbina	4212250	1
37	Impeller washer • Rondelle turbine • Arandela turbina	4202250	1
14	Mechanical seal • Garniture mécanique • Cierre mecánico	2343510E	1
16	Pump housing seal • Joint de corps • Junta cuerpo bomba 20 & 25 (400/700V) 30 & 40 (400/700V)	4052710R	2
		4052711R	2
3.1	Fan • Ventilateur • Ventilador 20 hp (400/700V) 25 & 30 hp (400/700V) 40 hp (400/700V)	4641710	1
		4641711	1
		4641810	1
4.1	Fan cover • Couvercle ventilateur • Tapa ventilador 20 hp (400/700V) 25 & 30 hp (400/700V) 40 hp (400/700V)	3560511	1
		3560711	1
		3560810	1
5.1	Bearings • Roulements • Rodamientos 20 hp (400/700V) 25 & 30 hp (400/700V) 40 hp (400/700V)	4542210	1
		4544010	1
		4544011	1

(1) Description / Description / Bezeichnung / Descripción / Descrizione / Beschrijving / Descrição / Описание

Pompe

Pump

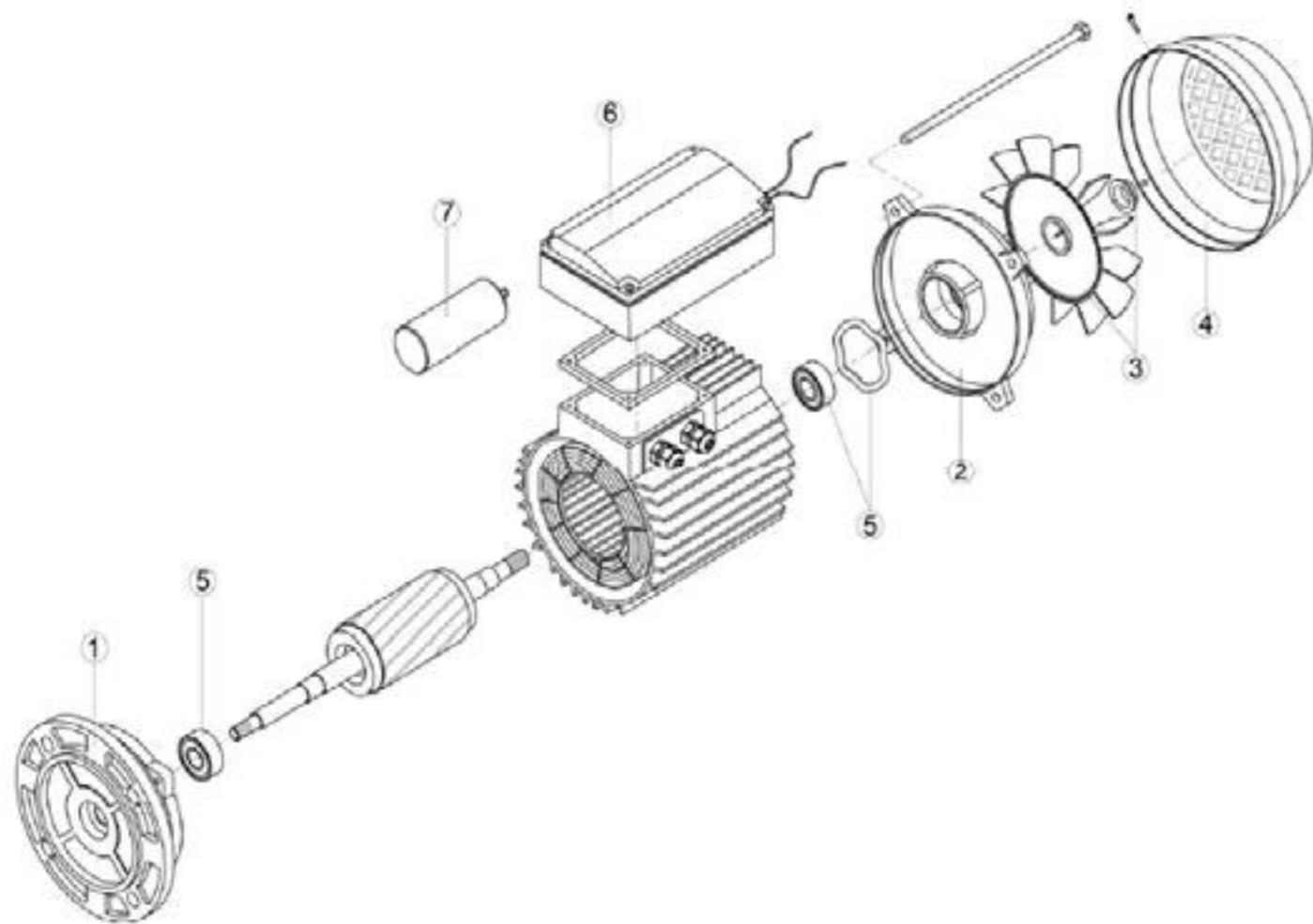
NEOPUMP



N°	DESCRIPTION ⁽¹⁾	REF./ PART No.	Qty/ Box
1 + 6	Swivel nut + Hand knob • Ecrou rotule + Vis papillon • Rótula + Tornillo mariposa	500100010004	4
2 + 3	Strainer cover • Couvercle de préfiltre • Tapa de prefiltro	500100020006	1
3	Strainer cover O-Ring • Joint torique • Junta tórica	500100110006	10
3	Set of gaskets • Pack de joints • Juego de juntas	500131160900	1
8			2
11			1
16			1
22			1
24			2
4 + 5	Strainer basket • Panier de préfiltre • Cesto filtrante	500100030006	1
6	Swivel nut • Ecrou rotule • Rótula	500100160001	10
7 + 8	Drain Plug • Bouchon de vidange • Tapón de vaciado	500100000000	10
9	Strainer • Préfiltre • Prefiltro	500100140005	1
10	Pump Housing • Corps de pompe • Cuerpo bomba	500100100018	1
11	Diffuser gasket • Joint de diffuseur • Junta de difusor	500100120004	10
12	Diffuser • Diffuseur • Difusor	500100060007	1
45			12
13+28+36+37	Impeller • Turbine • Turbina / HCPNP553E24	500100070025	1
13+28+36+37	Impeller • Turbine • Turbina / HCPNP753E7	500100070026	1
13+28+36+37	Impeller • Turbine • Turbina / HCPNP103E7	500100070027	1
14 + 15	Seal assembly • Obturateur mécanique • Cierre mecánico	500114150300	1
16	Housing gasket • Joint de corps • Junta	500100130004	10
17	Seal plate • Plateau d'étanchéité • Plato de cierre	500100080005	1
18 + 48 + 49	Motor support • Support de pompe • Soporte bomba	500100090002	1
18 + 48 + 49	Motor support • Support de pompe • Soporte bomba	500100090003	1
23 + 35	Screw set • Sachet de vis • Kit de tornillos	500139420500	4
31			8
32+33			4
34			2
38			6
39			2
42+43			4
47	2		
36 + 37	Impeller screw • Vis de turbine • Tornillo de turbina	500100190001	10
41	Slinger • Larmier • Arandela Separación	500100410100	10
24 + 25	Union connector kit 110 mm • Kit de raccord union 110 mm • Kit rácor de unión 110 mm	500100150002	2
24 + 25	Union connector kit 4" ANSI • Kit de raccord union 4" ANSI • Kit rácor de unión 4" ANSI	500100150003	2

Pompe Pump

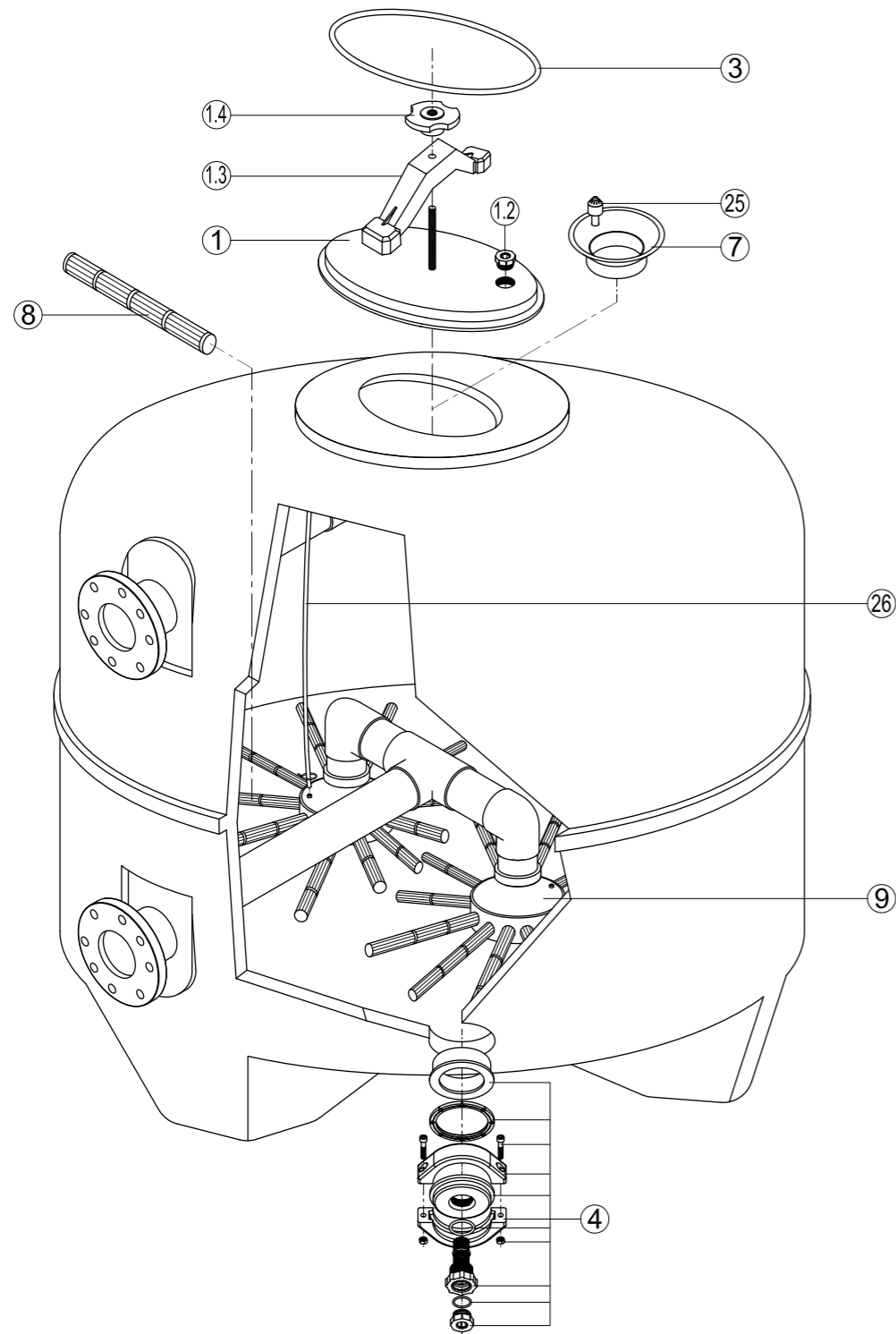
NEOPUMP MOTOR



N°	DESCRIPTION ⁽¹⁾	REF./ PART No.	Qty/ Box
1	Motor cover pump side • Couvercle moteur - Côté pompe • Brida motor / HCPNP553E24	505010106000	1
1	Motor cover pump side • Couvercle moteur - Côté pompe • Brida motor / HCPNP753E7 - HCPNP1003E7	505010107000	1
2	Motor cover fan side • Couvercle moteur, côté ventilateur • Tapa motor / HCPNP553E24	505010206200	1
2	Motor cover fan side • Couvercle moteur, côté ventilateur • Tapa motor/ HCPNP753E7 - HCPNP1003E7	505010207200	1
3	Fan • Ventilateur • Ventilador / HCPNP553E / HCPNP753E - HCPNP1003E	505010303300	1
4	Fan cover • Couvercle du ventilateur • Tapa ventilador / HCPNP553E (Blue)	505010416200	1
4	Fan cover • Couvercle du ventilateur • Tapa ventilador / HCPNP753E (IE2 - IE3) Blue	505010417200	1
4	Fan cover • Couvercle du ventilateur • Tapa ventilador / HCPNP1003E (IE3) Blue long	505010418200	1
5	Bearings kit • Kit roulements • Kit rodamientos / HCPNP553E24	505010706000	1
5	Bearings kit • Kit roulements • Kit rodamientos / HCPNP753E7 -HCPNP1003E7	505010707000	1
6	Connection box • Boîte de connexion • Caja de conexiones HCPNP553E24 - HCPNP753E7 - HCPNP1003E7	505006000607	1
-	Three phase T2 IE3 motor (1500 rpm) • Moteur triphasé T2 IE3 (1500 rpm) • Motor trifásico T2 IE3 (1500 rpm) / HCPNP553E24	505053920000	1
-	Three phase T2 IE3 motor (1500 rpm) • Moteur triphasé T2 IE3 (1500 rpm) • Motor trifásico T2 IE3 (1500 rpm) / HCPNP753E7	505053910100	1
-	Three phase T2 IE3 motor (1500 rpm) • Moteur triphasé T2 IE3 (1500 rpm) • Motor trifásico T2 IE3 (1500 rpm) / HCPNP103E7	505053910200	1

Filtre Filter

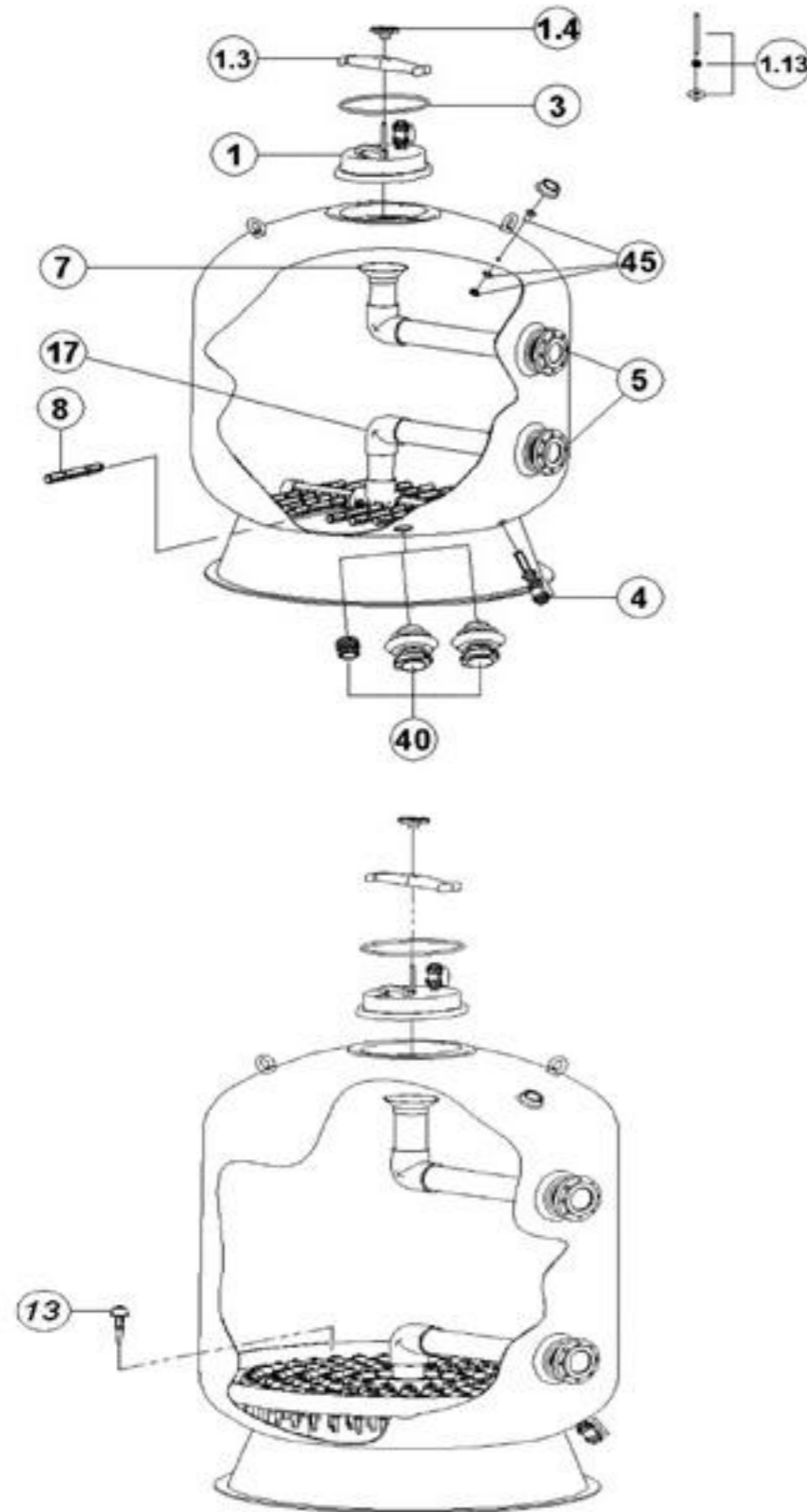
HCF BRASIL SERIES - REF: HCFB



N°	DESCRIPTION (1)	REF./ PART No.	Qty/ Box
1 + 1.2 + 1.3 + 1.4 + 3	Lid • Dôme • Deckel • Domo • Coperchio • Коепел • Tampa • Крышка / grey 429C	500311000106	1
1.2	Manual air relief cap • Purgeur manuel • Entlüftungsschraube • Purgador • Spurgo aria • Handaftapkraan • Purga de ar • Регулируемый воздушный клапан	500321111200	2
1.3	Bridge • Pont • Brücke • Puente • ponte • ponte • brug • мост	500361111301	1
1.4	Threaded knob • Bouton fileté • Gewindeknopf • Pomo roscado • Manopola filettata • Botão roscado • Draaiknop • Резьбовая ручка	500311111401	1
3	Lid O'Ring • Joint torique de dôme • Deckel O'Ring • O'Ring de dôme • Guarnizione O'ring della coperchio • Коепел o'ring • O-Ring de Cúpula • Уплотнительное кольцо	500311000301	2
4	Drain clamp • Bouchon de vidange • Entleerung-stopfen • Tapón de vaciado • Tappo di spurgo • Leegmaakdop • Esvaziamento • Сливная пробка	500311000401	1
7	Diffuser • Diffuseur supérieur • Verteiler • Difusor • Diffusore • Verdeler • Retire o difusor • Диффузор		
	Ø 63 mm	500321000700	1
	Ø 75 mm	500321000701	1
	Ø 90 mm	500321000702	1
	Ø 110 mm	500321000703	1
	Ø 125 mm	500321000704	1
	Ø 140 mm	500321000705	1
Ø 160 mm	500321000706	1	
8	Lateral • Crépine • Verteiler • Crepina • Candeletta • Draadfilters • Ralos • Сепаратор		
	L=110 mm	500321000801	2
	L=170 mm	500201151000	2
	L=210 mm	500321000803	2
	L=270 mm	500201111000	2
	L=320 mm	500201121000	2
	L=380 mm	500201131000	2
	L=420 mm	500201171000	2
L=540 mm	500201141000	2	
L=640 mm	500201181000	2	
9	Lateral holder • Sièges des crépines • Verteilersitz • Asiento de crepinas • Collettore • Draadfilters • Ralos • Крепление сепараторов		
	Ø 63/75 mm	500203010000	1
	Ø 90/110 mm	500203020100	1
25 + 26	Air relief tube • Tube de purge d'air • Entlüftungrohr • Tubo de evacuación de aire • Tubo spurgo aria • Buis van ontluchting • Tubo purge de ar • Трубка воздушного клапана	500321002500	1
	Side LID • Couvercle latéral • RCF10014.11R Tapa Lateral	500413001401	1
	MV3B Circular sight glass • Voyant circulaire • Mirilla circular	500311003000	1

Filtre Filter

HCF FIBERPOOL® SERIES / FH1000 REF: HCFF HCFH



N°	DESCRIPTION (1)	REF./ PART No.	Qty/ Box
1 + 1.3 + 1.4 + 3	Lid • Dôme • Deckel • Domo • Coperchio • Коепел • Tampa • Крышка	500361000103	1
1 + 1.3 + 1.4 + 3	Reinforced Lid • Dôme renforcé • Tapa reforzada	500361000104	1
1 + 1.3 + 1.4 + 3	Lid for industrial bobbin filter, 2'5 - 4 Bar up to 1998 • Dôme pour filtre industriel 2'5 - 4 Bar up to 1998 • Tapa filtro industrial bobinado hasta 1998	500360098200	1
1 + 1.3 + 1.4 + 3	Lid for industrial bobbin filter, 2'5 - 4 Bar up 1998-2006 • Dôme pour filtre industriel 2'5 - 4 bar 1998 - 2006 • Tapa filtro industrial bobinado 1998-2006	500360006200	1
1 + 1.3 + 1.4 + 3	Lid for industrial bobbin filter, 2'5 - 4 Bar 2006-2008 • Dôme pour filtre industriel 2'5 - 4 bar 2006-2008 • Tapa filtro industrial bobinado 2,5 -4 bar 2006-2008	500360008200	1
1 + 1.3 + 1.4 + 3	Lid for industrial bobbin filter, 6 bar • Dôme pour filtre industriel 6 bar • Tapa filtro industrial bobinado 6 bar	500361000105	1
1.3	Bridge • Pont • Brücke • Puente • Ponte • Ponte • Brug • мост	500361111301	1
1.3	Bridge • Pont • Brücke • Puente • Ponte • Ponte • Brug • мост / Aluminium	500361111302	1
1.4	Threaded knob • Bouton fileté • Gewindeknopf • Pomo roscado • Manopola filettata • Botão roscado • Драаикноп • Резьбовая ручка	500311111400	1
1.13	Closing rod kit • Kit de tige de fermeture • Kit esparrago cierre	500361000113	1
3	Lid O'Ring • Joint torique de dôme • Deckel O'Ring • O'Ring de domo • Guarnizione O'ring della coperchio • Коепел o'ring • O-Ring de Cúpula • Уплотнительное кольцо	500361000302	2
4	1" Water drain kit for industrial bobbin filter • Kit de vidange pour filtre industriel • Conjunto desague valvula 1" filtro bobinado industrial	500361000405	1
	Connection Ø63 for filter Ø 1050 • Connexion Ø63 pour filtre Ø 1050 • Salida torn.largos Ø63 p/1050	500361000501	1
	Connection Ø63 for filter 1200-1400 • Connexion Ø63 pour filtre 1200-1400 • Salida torn.largos Ø63 p/1200-1400	500361000502	1
	Connection Ø75 for filter 1050-1200 • Connexion Ø63 pour filtre 1050-1200 • Salida torn.largos Ø63 p/1050-1200	500361000503	1
	Connection Ø75 for filter 1400-1600 • Connexion Ø75 pour filtre 1400-1600 • Salida torn.largos Ø75 p/1400-1600	500361000504	1
	Connection Ø75 for filter 1800-2000 • Connexion Ø75 pour filtre 1800-2000 • Salida torn.largos Ø75 p/1800-2000	500361000505	1
	Connection Ø90 for filter 1050-1200 • Connexion Ø90 pour filtre 1050-1200 • Salida torn.largos Ø90 p/1050-1200	500361000506	1
	Connection Ø90 for filter 1400-1600 • Connexion Ø90 pour filtre 1400-1600 • Salida torn.largos Ø90 p/1400-1600	500361000507	1
	Connection Ø90 for filter 1800-2000 • Connexion Ø90 pour filtre 1800-2000 • Salida torn.largos Ø90 p/1800-2000	500361000508	1
	Connection Ø110 for filter 1400-1600 • Connexion Ø110 pour filtre 1400-1600 • Salida torn.largos Ø110 p/1400-1600	500361000509	1
5	Connection Ø110 for filter 1800-2000 • Connexion Ø110 pour filtre 1800-2000 • Salida torn.largos Ø110 p/1800-2000	500361000510	1
	Connection Ø110 for filter 2350-2500 • Connexion Ø110 pour filtre 2350-2500 • Salida torn.largos Ø110 p/2350-2500	500361000511	1
	Connection Ø125 for filter 1400-1600 • Connexion Ø125 pour filtre 1400-1600 • Salida torn.largos Ø125 p/1400-1600	500361000512	1
	Connection Ø125 for filter 1800-2000 • Connexion Ø125 pour filtre 1800-2000 • Salida torn.largos Ø125 p/1800-2000	500361000513	1
	Connection Ø125 for filter 2350-2500 • Connexion Ø125 pour filtre 2350-2500 • Salida torn.largos Ø125 p/2350-2500	500361000514	1
	Connection Ø140 for filter 1800-2000 • Connexion Ø140 pour filtre 1800-2000 • Salida torn.largos Ø140 p/1800-2000	500361000515	1
	Connection Ø140 for filter 2350-2500 • Connexion Ø140 pour filtre 2350-2500 • Salida torn.largos Ø140 p/2350-2500	500361000516	1
	Connection Ø160 for filter 1800-2000 • Connexion Ø160 pour filtre 1800-2000 • Salida torn.largos Ø160 p/1800-2000	500361000517	1
	Connection Ø160 for filter 2350-2500 • Connexion Ø160 pour filtre 2350-2500 • Salida torn.largos Ø160 p/2350-2500	500361000518	1

Nº	DESCRIPTION (1)	REF./ PART No.	Qty/ Box
7	Diffuser • Diffuseur supérieur • Verteiler • Difusor • Diffusore • Verdeler • Retire o difusor • Диффузор		
	Ø 63 mm	500200070200	1
	Ø 75 mm	500321000701	1
	Ø 90 mm	500321000702	1
	Ø 110 mm	500321000703	1
	Ø 125 mm	500321000704	1
	Ø 140 mm	500321000705	1
	Ø 160 mm	500321000706	1
8	Lateral • Crépine • Verteiler • Crepina • Candeletta • Draadfilters • Ralos • Cenаратор		
	L=170 mm	500201151000	2
	L=210 mm	500321000803	2
	L=270 mm	500201111000	2
	L=320 mm	500201121000	2
	L=380 mm	500201131000	2
	L=420 mm	500201171000	2
	L=540 mm	500201141000	2
8	PVC Lateral (OZONE) • Crépine • Verteiler • Crepina • Candeletta • Draadfilters • Ralos • Cenаратор		
	L=130 mm	500321000850	2
	L=195 mm	500321000851	2
	L=240 mm	500321000852	2
	L=300 mm	500321000853	2
	L=350 mm	500321000854	2
	L=415 mm	500321000855	2
	L=465 mm	500321000856	2
Complete set for bobbin filters previous to 01/01/2001. Ensemble complet pour filtre bobinnés avant 2001. Para montajes anteriores a 01/01/2001, se suministrarán colectores completos.			
13	Nozzle lenght 140 mm (40 x 0,2 mm) • Longueur Crépine 140 mm (40 x 0,2 mm) • Crepina longitud 140 mm (40 x 0,2 mm)	500311001302	2
	Complete arm collector Ø1050-63 • Colector completo Ø1050-63	500361171006	1
	Complete arm collector Ø1050-75 • Colector completo Ø1050-75	500361171007	1
	Complete arm collector Ø1050-90 • Colector completo Ø1050-90	500361171009	1
	Complete arm collector Ø1200-63 • Colector completo Ø1200-63	500361171206	1
	Complete arm collector Ø1200-75 • Colector completo Ø1200-75	500361171207	1
	Complete arm collector Ø1200-90 • Colector completo Ø1200-90	500361171209	1
17	Complete arm collector Ø1400-63 • Colector completo Ø1400-63	500361171406	1
	Complete arm collector Ø1400-75 • Colector completo Ø1400-75	500361171407	1
	Complete arm collector Ø1400-90 • Colector completo Ø1400-90	500361171409	1
	Complete arm collector Ø1400-110 • Colector completo Ø1400-110	500361171411	1
	Complete arm collector Ø1600-75 • Colector completo Ø1600-75	500361171607	1
	Complete arm collector Ø1600-90 • Colector completo Ø1600-90	500361171609	1
	Complete arm collector Ø1600-110 • Colector completo Ø1600-110	500361171611	1

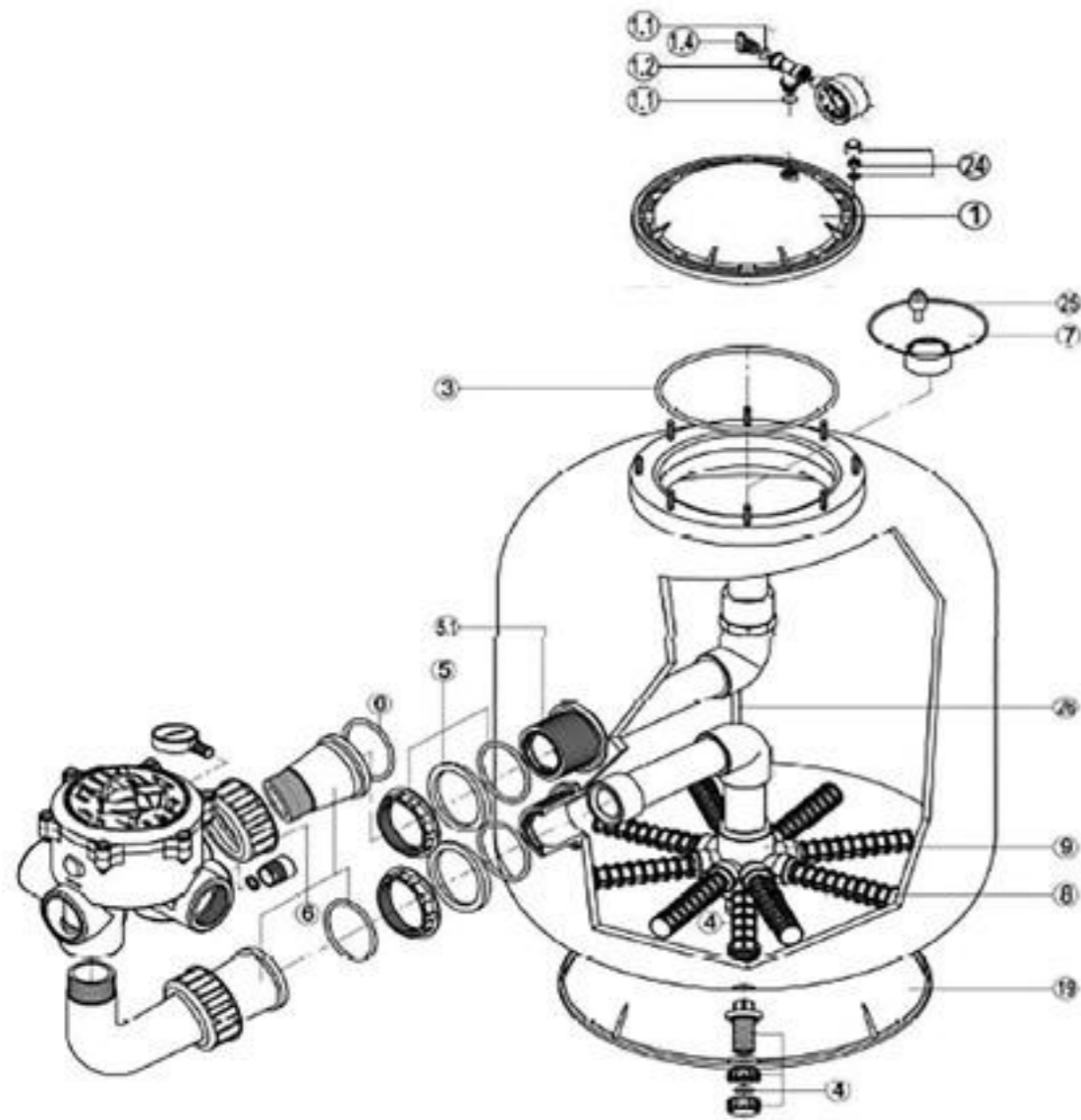
Nº	DESCRIPTION (1)	REF./ PART No.	Qty/ Box	
17	Complete arm collector Ø1600-125 • Colector completo Ø1600-125	500361171612	1	
	Complete arm collector Ø1800-75 • Colector completo Ø1800-75	500361171807	1	
	Complete arm collector Ø1800-90 • Colector completo Ø1800-90	500361171809	1	
	Complete arm collector Ø1800-110 • Colector completo Ø1800-110	500361171811	1	
	Complete arm collector Ø1800-125 • Colector completo Ø1800-125	500361171812	1	
	Complete arm collector Ø1800-140 • Colector completo Ø1800-140	500361171814	1	
	Complete arm collector Ø2000-90 • Colector completo Ø2000-90	500361172009	1	
	Complete arm collector Ø2000-110 • Colector completo Ø2000-110	500361172011	1	
	Complete arm collector Ø2000-125 • Colector completo Ø2000-125	500361172012	1	
	Complete arm collector Ø2000-140 • Colector completo Ø2000-140	500361172014	1	
	Complete arm collector Ø2000-160 • Colector completo Ø2000-160	500361172016	1	
	Complete arm collector Ø2200-110 • Colector completo Ø2200-110	500361172211	1	
	Complete arm collector Ø2200-125 • Colector completo Ø2200-125	500361172212	1	
	Complete arm collector Ø2200-140 • Colector completo Ø2200-140	500361172214	1	
	Complete arm collector Ø2200-160 • Colector completo Ø2200-160	500361172216	1	
	Complete arm collector Ø2200-200 • Colector completo Ø2200-200	500361172220	1	
	Complete arm collector Ø2350-110 • Colector completo Ø2350-110	500361172311	1	
	Complete arm collector Ø2350-125 • Colector completo Ø2350-125	500361172312	1	
	Complete arm collector Ø2350-140 • Colector completo Ø2350-140	500361172314	1	
	Complete arm collector Ø2350-160 • Colector completo Ø2350-160	500361172316	1	
	Complete arm collector Ø2350-200 • Colector completo Ø2350-200	500361172320	1	
	Complete arm collector Ø2500-125 • Colector completo Ø2500-125	500361172512	1	
	Complete arm collector Ø2500-140 • Colector completo Ø2500-140	500361172514	1	
	Complete arm collector Ø2500-160 • Colector completo Ø2500-160	500361172516	1	
	Complete arm collector Ø2500-200 • Colector completo Ø2500-200	500361172520	1	
	Complete arm collector Ø2500-225 • Colector completo Ø2500-225	500361172522	1	
	Complete arm collector Ø3000-140 • Colector completo Ø3000-140	500361173014	1	
	Complete arm collector Ø3000-160 • Colector completo Ø3000-160	500361173016	1	
	Complete arm collector Ø3000-200 • Colector completo Ø3000-200	500361173020	1	
	Complete arm collector Ø3000-225 • Colector completo Ø3000-225	500361173022	1	
	Complete arm collector Ø3000-250 • Colector completo Ø3000-250	500361173025	1	
	All set collectors will be shipped as standard packaged unassembled - mixed unassembled, according structure. Todos los conjuntos colectores se enviarán desmontados - semi montados, dependiendo de su estructura			
	40	Sand drain kit Ø 1050-1600 • Kit de descarga de arena Ø1050-1600	500361004000	1
	40	Sand drain kit Ø 1800-2000 • Kit de descarga de arena Ø1800-2000	500361004001	1
40	Sand drain kit Ø 2350-3000 • Kit de descarga de arena Ø2350-3000	500361004002	1	
45	Tank adapter for pressure gauge commercial filters. (Witness gauge pressure not available as spare part.) • Kit pasamuros manómetro filtros industriales. (Manómetro de presión no disponible como recambio).	500361004500	1	
-	Lid horizontal filter (reinforced) • Rapa filtro horizontal (reforzada).	500361000108	1	
-	Ø90 Sight glass for bobbin filters • mirilla Ø90 para filtros bobinados Ø1050-1200	500361000912	1	
-	Ø90 Sight glass for bobbin filters • mirilla Ø90 para filtros bobinados Ø1400	500361000914	1	
-	Ø125 Sight glass for bobbin filters • mirilla Ø125 para filtros bobinados Ø1600	500361001216	1	
-	Ø125 Sight glass for bobbin filters • mirilla Ø125 para filtros bobinados Ø1800-2000	500361001220	1	
-	Ø125 Sight glass for bobbin filters • mirilla Ø125 para filtros bobinados Ø2350-2500	500361001225	1	

Filtre

Filter

HCF BARCELONA SERIES

REF: HCFE



N°	DESCRIPTION (1)	REF./ PART No.	Qty/ Box
1+3	Transparent Lid+O-ring • Couvercle transparent+Joint torique dôme • Tapa transparente+Junta tórica	500201042000	1
1.1+1.2+1.4	T assembly • Assemblage en T • Conjunto en T	500211120300***	1
1.1+1.4	Drain cap • Tapón purga • Bouchon de vidange	500100000000	10
3	Lid O'Ring • Joint torique de dôme • Deckel O'Ring • O'Ring de domo • Guarnizione O'ring della coperchio • Koepel o'ring • O-Ring de Cúpula • Уплотнительное кольцо	500201001100	5
4	Drain kit Ø 500 - 900 • Kit de vidange Ø 500 - 900 • Kit desague Ø 500 - 900	500200040100	1
	Drain kit Ø 1050 • Kit de vidange Ø 1050 • Kit desague Ø 1050	50361000405	1
	Black Filter union kit • Kit union noir de filtre • Kit salida negra filtro	500200051200	1
	Black oval outlet connection • Connexion de sortie ovale noir • Cuerpo salida oval negra	500200051300	1
	1 ½" Union kit • Kit union 1 1/2" • Kit enlace 1 1/2"	500200061200	1
	2" Union kit • Kit union 2" • Kit enlace 2"	500200061300	1
6	3" union set for BARCELONA Ø 1050-3" • Kit union 3" pour filtre Barcelona Ø1050 • Kit de conexión 3" para BARCELONA Ø 1050-3"	500300060200	1
	3" union set for BARCELONA Ø 1200-3" • Kit union 3" pour filtre Barcelona Ø 1200 • Kit de conexión 3" para BARCELONA Ø 1200-3"	500300060300	1
7	Diffuser Ø 500-600 • Diffuseur supérieur 500-600 • Difusor Ø 500-600	500200070100	1
	Diffuser Ø 750 to 1050 • Diffuseur supérieur Ø 1050 • Difusor Ø 750 a 1050	500200070200	1
8**	Laterals Ø 500 L = 110 • Crépines Ø 500 L = 110 • Brazo colector Ø 500 L=110	500201120000	2
	Laterals Ø 600 L = 150 • Crépines Ø 600 L = 150 • Brazo colector Ø 600 L=150	500201130000	2
8	Laterals Ø 750-900 L = 150 • Crépines Ø 750-900 L = 150 • Brazo colector Ø 750-900	500201151000	2
	Laterals Ø 1050-1200 • Crépines 1050-1200 • Brazo colector Ø 1050-1200	500201111000	2
9*	Collector Ø 500-600 • Collecteur Ø 500-600 • Colector Ø 500-600	500200090100	1
9	Collector Ø 750-1200 • Collecteur Ø 750-1200 • Colector Ø 750-1200	500203020100	1
24	Lid nuts kit • Kit écrous pour couvercle • Kit tuercas tapa	500201001300	8
25 + 26	Air relief kit • Kit de purge • Kit de purga	500413002500	1
-	Sand drain kit for Ø1050-1200 • Kit vidange sable pour Ø1050-1200 • Kit de descarga arena Ø1050 - 1200	500361004000	1
-	Pressure gauge ø50 1/4" (Back connection) • Manometro ø50 1/4" (Conexión posterior) • Manometre ø50 1/4" (Connexion posterieur) - For Ø 500 to 900	500206000052	1
-	Pressure gauge ø50 1/4" (Radial connection) • Manómetro ø50 1/4" (Conexión radial) • Manomètre ø50 1/4" (Connexion radiale)	500206000051	1

* For filters before March 2017 - Pour les filtres avant mars 2017 - Para filtros anteriores a Marzo 2017:

In case of collector replacement, laterals must be replaced. - En cas de remplacement du collecteur, les crépines doivent être remplacées.
En el caso de substituir el colector, los brazos deben ser substituidos.

** For the correct replacement of laterals, collector must be changed. Pour que les crépines soient correctement remplacées, le collecteur doit être changé.
Para la correcta substitución de los brazos colector, el colector debe ser substituido.

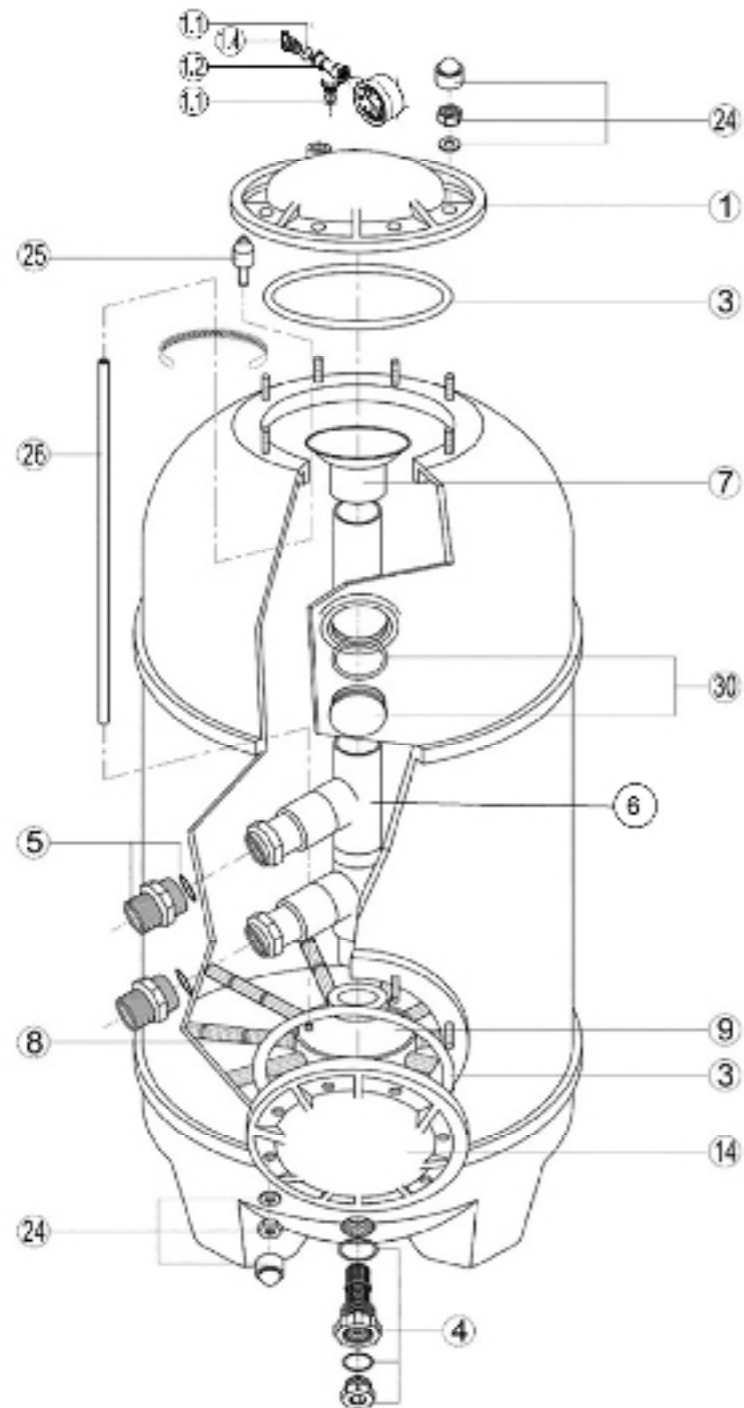
*** For filters with lid before 2023 - Pour filtres avec couvercle avant 2023 - Para filtros con tapa antes de 2023

Filtre

Filter

HCF SAN SEBASTIAN SERIES

REF: HCFS HCFD ARM COLLECTOR



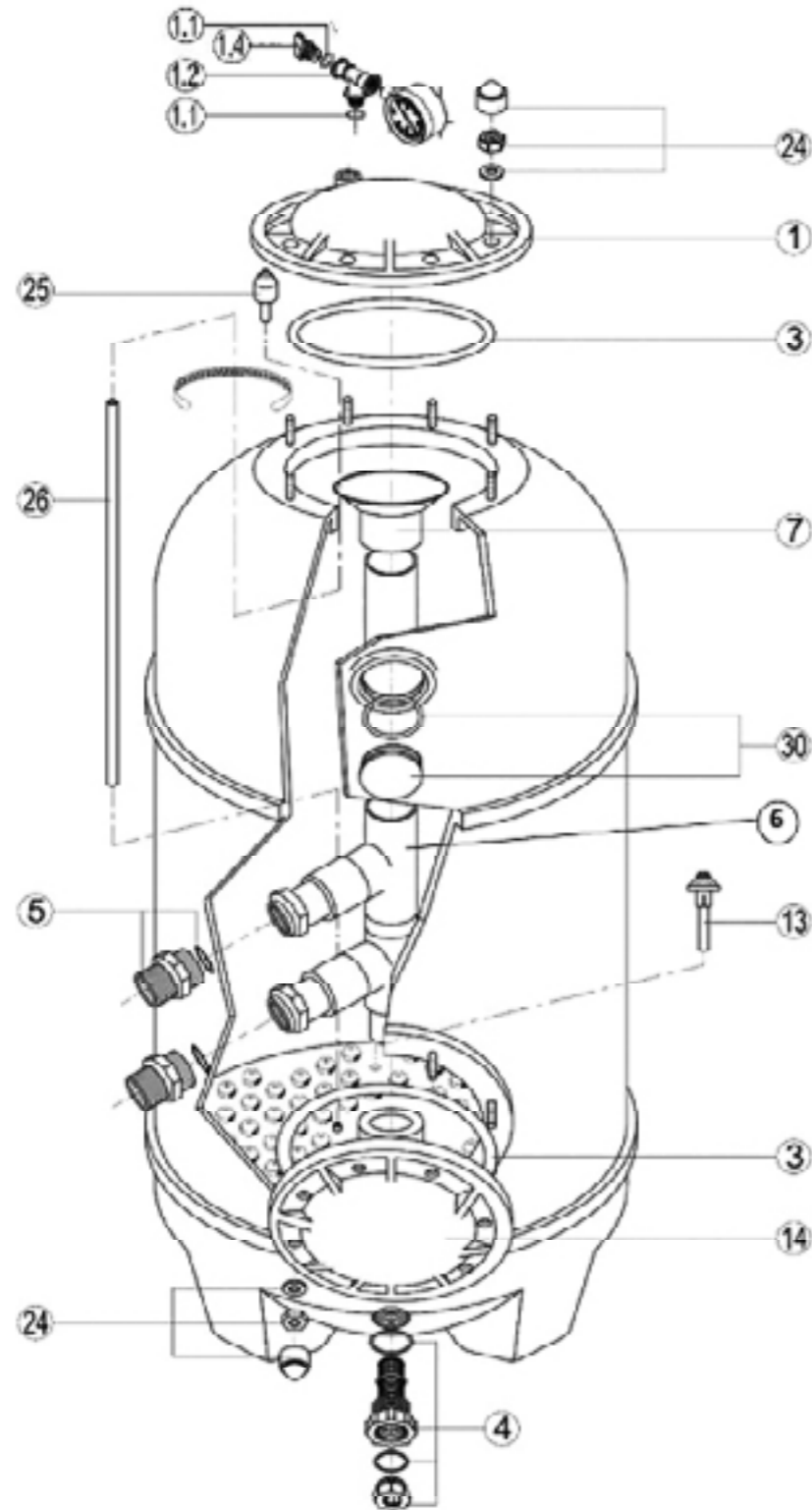
N°	DESCRIPTION ⁽¹⁾	REF./ PART No.	Qty/ Box
1 + 3	Lid • Dôme • Deckel • Domo • Coperchio • Коепел • Tampa • Крышка	500201042000	1
1.1+1.2+1.4	Manual air relief cap • Purgeur manuel • Entlüftungsschraube • Purgador • Spurgo aria • Handaftapkraan • Purga de ar • Регулируемый воздушный клапан	500211120300	1
3	Lid O'Ring • Joint torique de dôme • Deckel O'Ring • O'Ring de domo • Guarnizione O'ring della coperchio • Коепел o'ring • O-Ring de Cúpula • Уплотнительное кольцо	500201001100	5
4	Drain clamp • Bouchon de vidange • Entleerung-stopfen • Tapón de vaciado • Tappo di spurgo • Leegmaakdop • Esvaziamento • Сливная пробка	500413000400	1
5	Black Union connector kit 2" • Kit de raccord union 2" • Anschluß-Stecker 2" • Asamblea del conector de la unión 2" • Assembla del connettore del sindacato 2" • De assemblage van de unieschakelaar 2" • Conjunto do conector da união 2" • Фитинг 2"	500201201100	2
	2" Union kit (Black) • Kit union 2" de couleur noire • Kit enlace 2"(negro)	500200061100	1
7	Diffuser • Diffuseur supérieur • Verteiler • Difusor • Diffusore • Verdeler • Retire o difusor • Диффузор	500200070300	1
	Lateral • Crépine • Verteiler • Crepina • Candeletta • Draadfilters • Ralos • Сепаратор		
8	Ø 640 mm	500201151000	2
	Ø 760 mm	500321000803	2
	Ø 900 mm	500201111000	2
9	Lateral holder Ø 63-75 • Sièges des crépines Ø 63-75 • Verteilersitz Ø 63-75 • Asiento de crepinas Ø 63-75 • Collettore Ø 63-75 • Draadfilters Ø 63-75 • Ralos Ø 63-75 • Крепление сепараторов Ø 63-75	500203010000	1
14 + 3	Lateral lid • Couvercle latéral • Seitlicher Deckel • Tapa lateral • Coperchio laterale • Zij deksel • Tampa lateral • Боковая крышка	500411051402	1
24	Lid nut kit • Kit d'écrou de couvercle • Deckelmutter-Kit • Kit tuercas tapa • Kit di dadi di copertura • Dekselmoerkit • Kit de porca de tampa • Комплект гайки крышки	500201001300	8
25 + 26	Air relief tube • Tube de purge d'air • Entlüftungrohr • Tubo de evacuación de aire • Tubo spurgo aria • Buis van ontluchting • Tubo purge de ar • Трубка воздушного клапана	500413002500	1
30	Viewer • Voyant • Betrachter • Visor • Mirino • Zoeker • Visualizador • видеоискатель	500311003000	1
-	Set pipes and fitting • Set tuyaux et raccord • Conjunto tubos y accesorios...	500411110000	1
-	Glycerin pressure gauge Ø63 1/4" • Manomètre à glycérine Ø63 1/4" • Manómetro glicerina Ø63 1/4"	210100606300	1

Filtre

Filter

HCF SAN SEBASTIAN SERIES

REF: HCFS HCFD NOZZLE PLATE

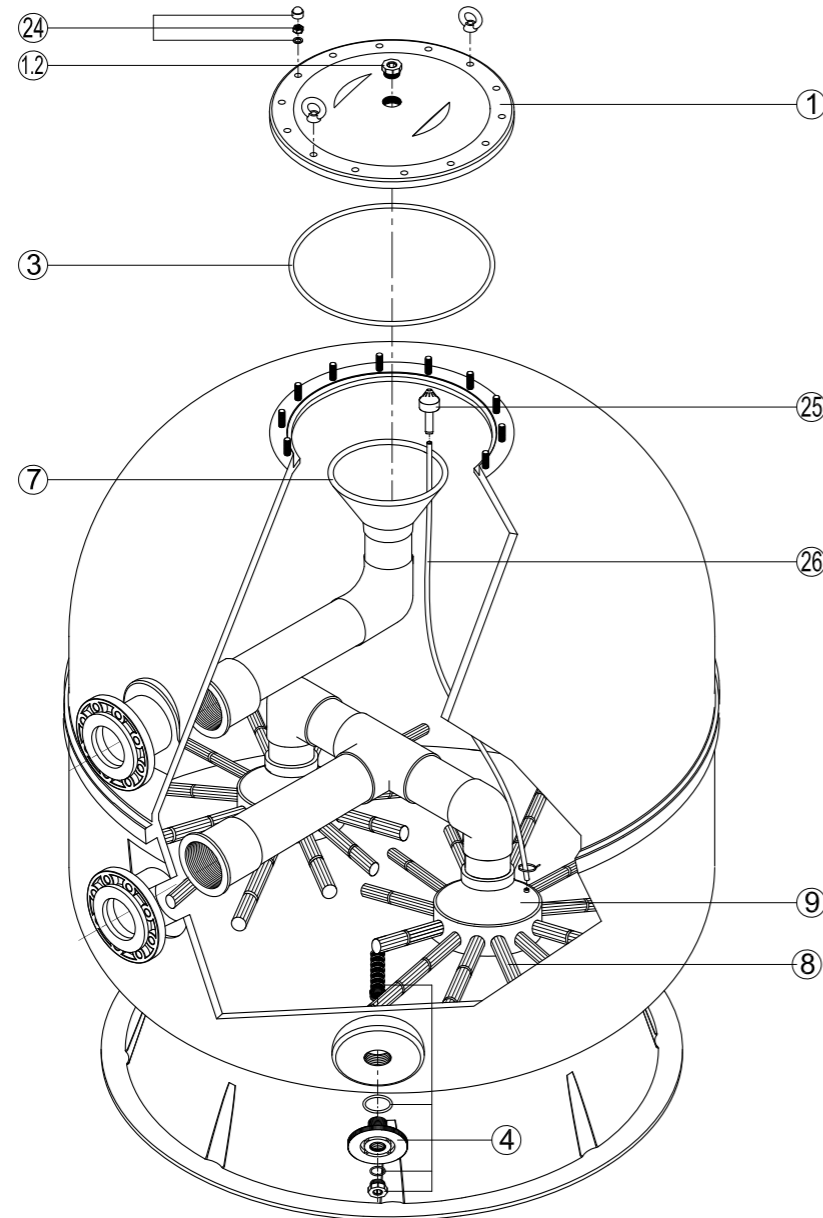


N°	DESCRIPTION ⁽¹⁾	REF./ PART No.	Qty/ Box
1 + 3	Lid • Dôme • Deckel • Tapa • Coperchio • Кюепел • Tampa • Крышка	500201042000	1
1.1+1.2+1.4	Manual air relief cap • Purgeur manuel • Entlüftungsschraube • Purgador • Spurgo aria • Handaftapkraan • Purga de ar • Регулируемый воздушный клапан	500211120300	1
3	Lid O'Ring • Joint torique de dôme • Deckel O'Ring • O'Ring de domo • Guarnizione O'ring della coperchio • Кюепел o'ring • O-Ring de Cúpula • Уплотнительное кольцо	500201001100	5
4	Drain clamp • Bouchon de vidange • Entleerung-stopfen • Tapón de vaciado • Tappo di spurgo • Leegmaakdop • Esvaziamento • Сливная пробка	500413000400	1
5	Union connector kit 2" • Kit de raccord union 2" • Anschluß-Stecker 2" • Asamblea del conector de la unión 2" • Asmblea del conettore del sindacato 2" • De assemblage van de unieschakelaar 2" • Conjunto do conector da união 2" • Фитинг 2"	500201201100	2
	2" Union kit (Black) - 2" kit union couleur noire - Kit enlace 2" negro	500200061100	1
7	Diffuser • Diffuseur supérieur • Verteiler • Difusor • Diffusore • Verdeler • Retire o difusor • Диффузор	500200070300	1
13	Nozzle L= 80 mm • Crépine L= 80 mm • Verteiler L= 80 mm • Crépine L= 80 mm • Candeletta L= 80 mm • Draadfilters L= 80 mm • Ralos L= 80 mm • Сепаратор L= 80 mm	500413001300	2
14 + 3	Lateral lid • Couvercle latéral • Seitlicher Deckel • Tapa lateral • Coperchio laterale • Zij deksel • Tampa lateral • Боковая крышка	500411051402	1
24	Lid nut kit • Kit d'écrou de couvercle • Deckelmutter-Kit • Kit tuercas tapa • Kit di dadi di copertura • Dekselmoerkit • Kit de porca de tampa • Комплект гайки крышки	500201001300	8
25 + 26	Air relief tube • Tube de purge d'air • Entlüftungrohr • Tubo de evacuación de aire • Tubo spurgo aria • Buis van ontluchting • Tubo purge de ar • Трубка воздушного клапана	500413002500	1
30	Viewer • Voyant • Betrachter • Visor • Mirino • Zoeker • Visualizador • видоискатель	500311003000	1
-	Set pipes and fitting • Set tuyaux et raccord • Conjunto tubos y accesorios...	500411110000	1
-	Glycerin pressure gauge Ø63 1/4" • Manomètre à glycérine Ø63 1/4" • Manómetro glicerina Ø63 1/4"	210100606300	1

Filtre

Filter

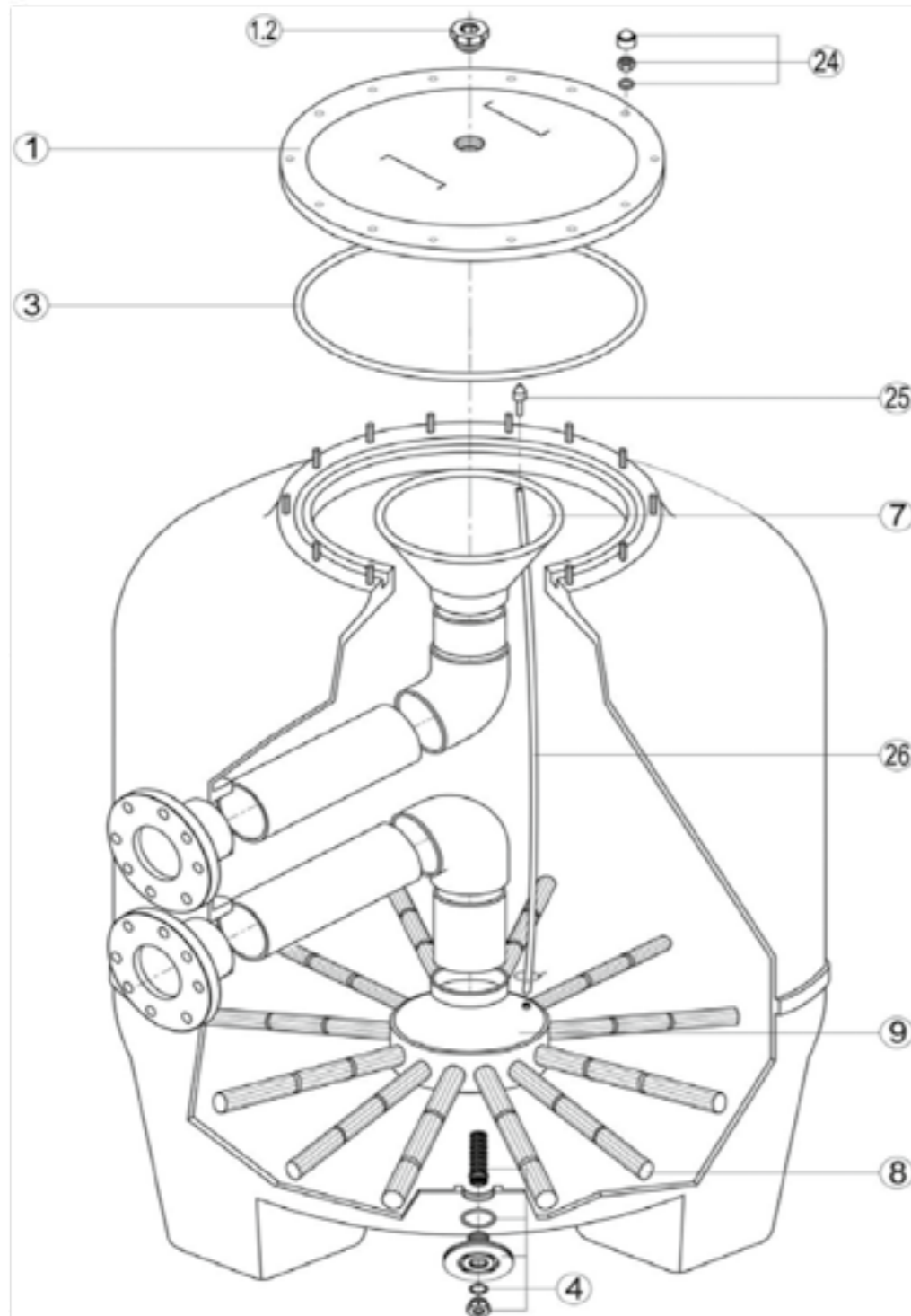
HCF ARTIK SERIES - REF: HCFA



N°	DESCRIPTION ⁽¹⁾	REF./ PART No.	Qty/ Box
1+ 1.2 + 3	Lid • Dôme • Deckel • Domo • Coperchio • Коепел • Tampa • Крышка	500321000101	1
1.2	Manual air relief cap • Purgeur manuel • Entlüftungsschraube • Purgador • Spurgo aria • Handaftapkraan • Purga de ar • Регулируемый воздушный клапан	500321111200	2
3	Lid O'Ring • Joint torique de dôme • Deckel O'Ring • O'Ring de domo • Guarnizione O'ring della coperchio • Коепел o'ring • O-Ring de Cúpula • Уплотнительное кольцо	500201031100	2
4	Drain clamp • Bouchon de vidange • Entleerung-stopfen • Tapón de vaciado • Tappo di spurgo • Leegmaakdop • Esvaziamento • Сливная пробка	500202011000	1
	Diffuser • Diffuseur supérieur • Verteiler • Difusor • Diffusore • Verdeler • Retire o difusor • Диффузор		
	Ø 63 mm	500321000700	1
	Ø 75 mm	500321000701	1
7	Ø 90 mm	500321000702	1
	Ø 110 mm	500321000703	1
	Ø 125 mm	500321000704	1
	Ø 140 mm	500321000705	1
	Ø 160 mm	500321000706	1
	Lateral • Crépine • Verteiler • Crepina • Candeletta • Draadfilters • Ralos • Сепаратор		
	L=110 mm	500321000801	2
	L=170 mm	500201151000	2
	L=210 mm	500321000803	2
	L=270 mm	500201111000	2
8	L=320 mm	500201121000	2
	L=380 mm	500201131000	2
	L=420 mm	500201171000	2
	L=540 mm	500201141000	2
	L=640 mm	500201181000	2
	Lateral holder • Sièges des crépines • Verteilersitz • Asiento de crepinas • Collettore • Draadfilters • Ralos • Крепление сепараторов		
9	Ø 63/75 mm	500203010000	1
	Ø 90/110 mm	500203020100	1
24	Lid nut kit • Kit d'écrou de couvercle • Deckelmutter-Kit • Kit tuercas tapa • Kit di dadi di copertura • Dekselmoerkit • Kit de porca de tampa • Комплект гайки крышки	500321002400	14
25 + 26	Air relief tube • Tube de purge d'air • Entlüftungsrohr • Tubo de evacuación de aire • Tubo spurgo aria • Buis van ontluchting • Tubo purge de ar • Трубка воздушного клапана	500321002500	1

Filtre Filter

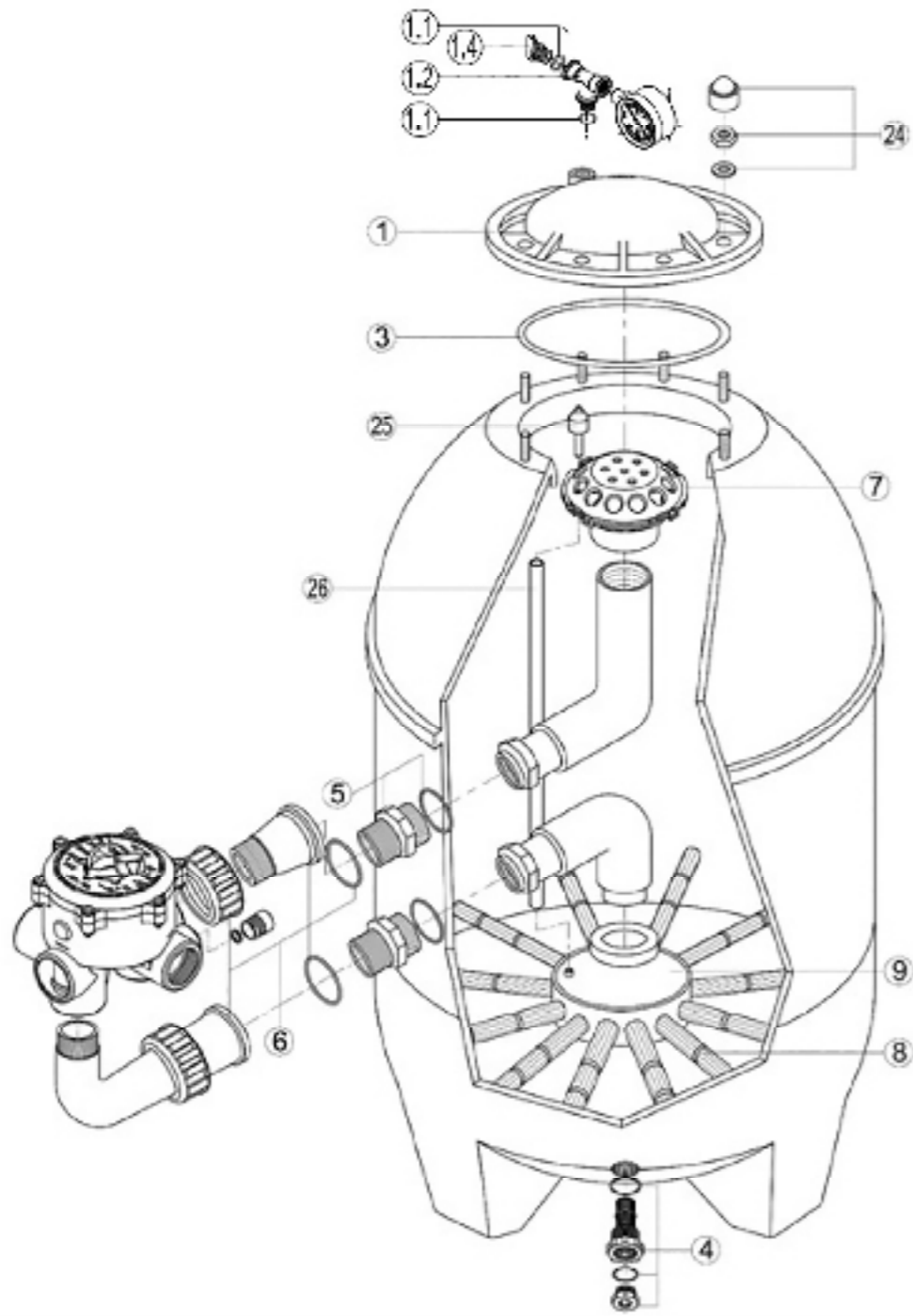
HCF MALAGA SERIES - REF: HCFM



N°	DESCRIPTION ⁽¹⁾	REF./ PART No.	Qty/ Box
	Lid • Dôme • Deckel • Domo • Coperchio • Коепел • Tampa • Крышка	500321000101	1
1.2	Manual air relief cap • Purgeur manuel • Entlüftungsschraube • Purgador • Spurgo aria • Handaftapkraan • Purga de ar • Регулируемый воздушный клапан	500321111200	2
3	Lid O'Ring • Joint torique de dôme • Deckel O'Ring • O'Ring de domo • Guarnizione O'ring della coperchio • Коепел o'ring • O-Ring de Cúpula • Уплотнительное кольцо	500201031100	2
4	Drain clamp • Bouchon de vidange • Entleerung-stopfen • Tapón de vaciado • Tappo di spurgo • Leegmaakdop • Esvaziamento • Сливная пробка	500202011000	1
	Diffuser • Diffuseur supérieur • Verteiler • Difusor • Diffusore • Verdeler • Retire o difusor • Диффузор		
	Ø 75mm	500321000701	1
	Ø 90mm		
	Ø 110mm	500321000703	1
	Lateral • Crépine • Verteiler • Crepina • Candeletta • Draadfilters • Ralos • Сепаратор		
	Ø 950 mm	500201111000	2
	Ø 1100 mm	500201121000	2
	Ø 1200 mm	500201131000	2
	Ø 1400 mm	500201141000	2
	Lateral holder • Sièges des crépines • Verteilersitz • Asiento de crepinas • Collettore • Draadfilters • Ralos • Крепление сепараторов		
	Ø 950 mm	500203010000	1
	Ø 1100 mm - 1400 mm	500203020100	1
24	Lid nut kit • Kit d'écrou de couvercle • Deckelmutter-Kit • Kit tuercas tapa • Kit di dadi di copertura • Dekselmoerkit • Kit de porca de tampa • Комплект гайки крышки	500321002400	14
25 + 26	Air relief tube • Tube de purge d'air • Entlüftungrohr • Tubo de evacuación de aire • Tubo spurgo aria • Buis van ontluuchting • Tubo purge de ar • Трубка воздушного клапана	500413002500	1

Filtre Filter

HCF ROMA SERIES - REF: HCFC



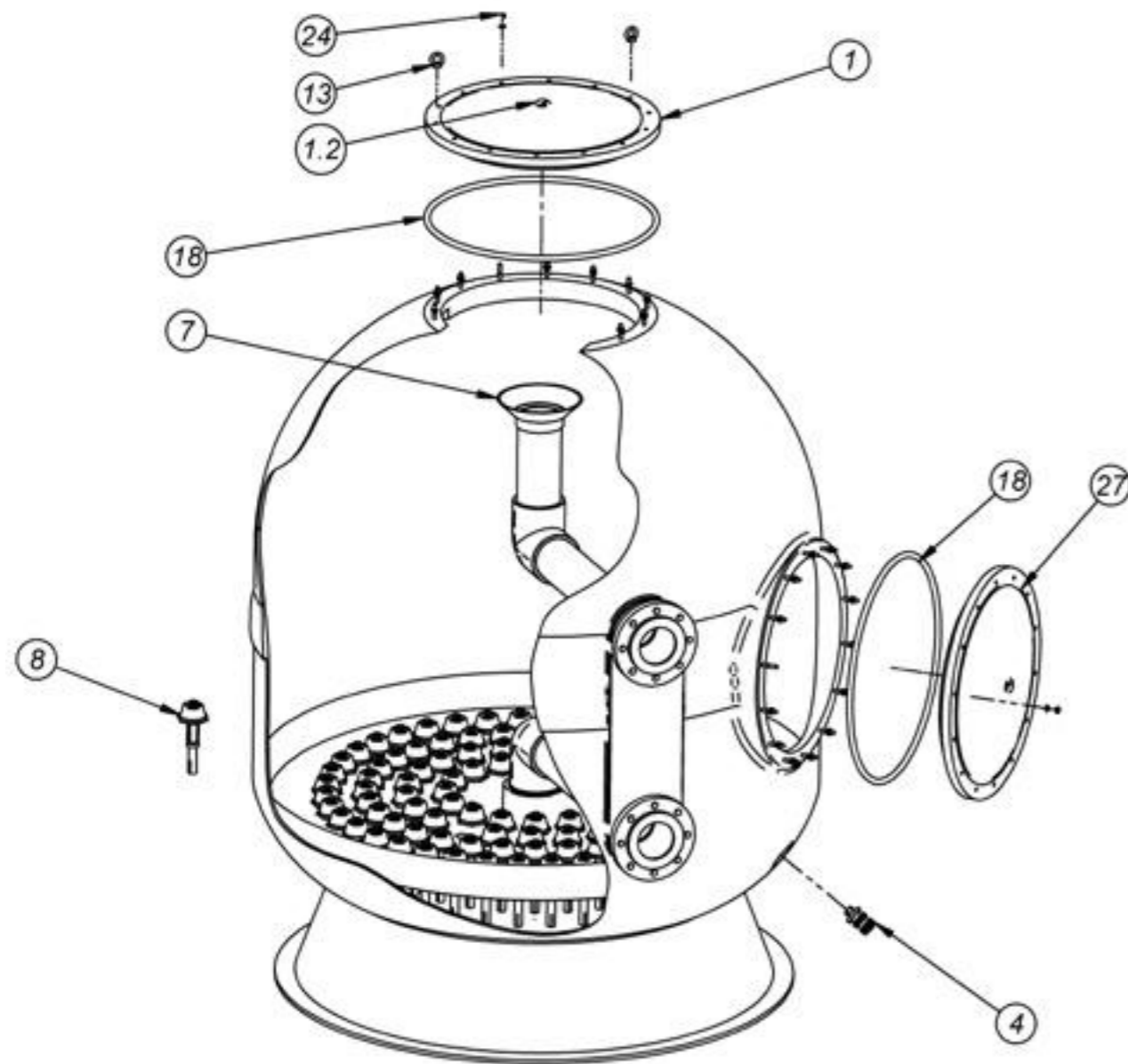
N°	DESCRIPTION ⁽¹⁾	REF./ PART No.	Qty/ Box
1+ 3	Lid • Dôme • Deckel • Domo • Coperchio • Коепел • Tampa • Крышка	500201042000	1
1.1+1.4	Tapón purga • Air relief cap	500100000000	10
1.1+1.2+1.4	Manual air relief cap • Purgeur manuel • Entlüftungsschraube • Purgador • Spurgo aria • Handaftapkraan • Purga de ar • Регулируемый воздушный клапан	500211120300	1
3	Lid O'Ring • Joint torique de dôme • Deckel O'Ring • O'Ring de domo • Guarnizione O'ring della coperchio • Коепел o'ring • O-Ring de Cúpula • Уплотнительное кольцо	500201001100	5
4	Drain clamp • Bouchon de vidange • Entleerung-stopfen • Tapón de vaciado • Tappo di spurgo • Leegmaakdop • Esvaziamento • Сливная пробка	500413000400	1
5	1 1/2" Union Kit (black) • Kit Union 1 1/2" (noir) • Kit raccord enlance 1 1/2" (negro) / Roma	500201201000	2
	2" Union Kit (black) • Kit Union 2" (noir) • Kit raccord enlance 2" (negro) / Roma	500201201100	2
	1 1/2" Bulkhead kit • Kit raccord enlance 1 1/2" From 2019	500201202000	2
6	1 1/2" Union Kit (black) • Kit liaison 1 1/2" (noir) • Kit enlance 1 1/2" (negro) / Roma	500200061000	1
	2" Union Kit (black) • Kit liaison 2" (noir) • Kit enlance 2" (negro) / Roma	500200061100	1
7	1 1/2" Union kit • Kit enlance 1 1/2" From 2019	SPX0719PAKKR	1
	Diffuser • Diffuseur supérieur • Verteiler • Difusor • Diffusore • Verdeler • Retire o difusor • Диффузор	500200070300	1
	Lateral • Crépine • Verteiler • Crepina • Candeletta • Draadfilters • Ralos • Сепаратор		
8	Ø=520 mm	500201120000	2
	Ø=640 mm	500201130000	2
	Ø=800 mm	500201151000	2
9	Colector Ø520-640 • Collecteur Ø520-640 • Colector Ø520-640	500203000000	1
	Colector Ø800 • Collecteur Ø800 • Colector Ø800	500203010000	1
24	Lid nut kit • Kit d'écrou de couvercle • Deckelmutter-Kit • Kit tuercas tapa • Kit di dadi di copertura • Dekselmoerkit • Kit de porca de tampa • Комплект гайки крышки	500201001300	8
25 + 26	Air relief tube • Tube de purge d'air • Entlüftungrohr • Tubo de evacuación de aire • Tubo spurgo aria • Buis van ontlichting • Tubo purge de ar • Трубка воздушного клапана	500413002500	1
	Glycerin pressure gauge Ø 63 1/4" • Manómetro Glicerina Ø63 1/4" • Manomètre à glycérine Ø 63 1/4"	210100606300	1

Filters produced until Dec 2018: for bulkheads and connections to multiport valve 1"5", use together the references 500201201000 + 500200061000
 Filters produced since Jan 2019: for bulkheads and connections to multiport valve 1"5", use together the references 500201202000 + SPX0719PAKKR
 The replacement of the 250112011200 valve with the SP0719SKR-LP Variflo valve implies the change to the new bulkheads and connections, references 500201202000 + SPX0719PAKKR
 Filtros fabricados hasta diciembre 2018: rácores y enlaces a válvula de 6 vías 1"5", usar conjuntamente las referencias 500201201000 + 500200061000
 Filtros fabricados desde enero 2019: rácores y enlaces a válvula 6 vías, usar conjuntamente las referencias 500201202000 + SPX0719PAKKR
 La sustitución de la válvula 25112011200 por la válvula Variflo SP0719SKR-LP implica el cambio a los nuevos rácores y enlaces, referencias 500201202000 + SPX-0719PAKKR

Filtre

Filter

HCF NEW ENZO

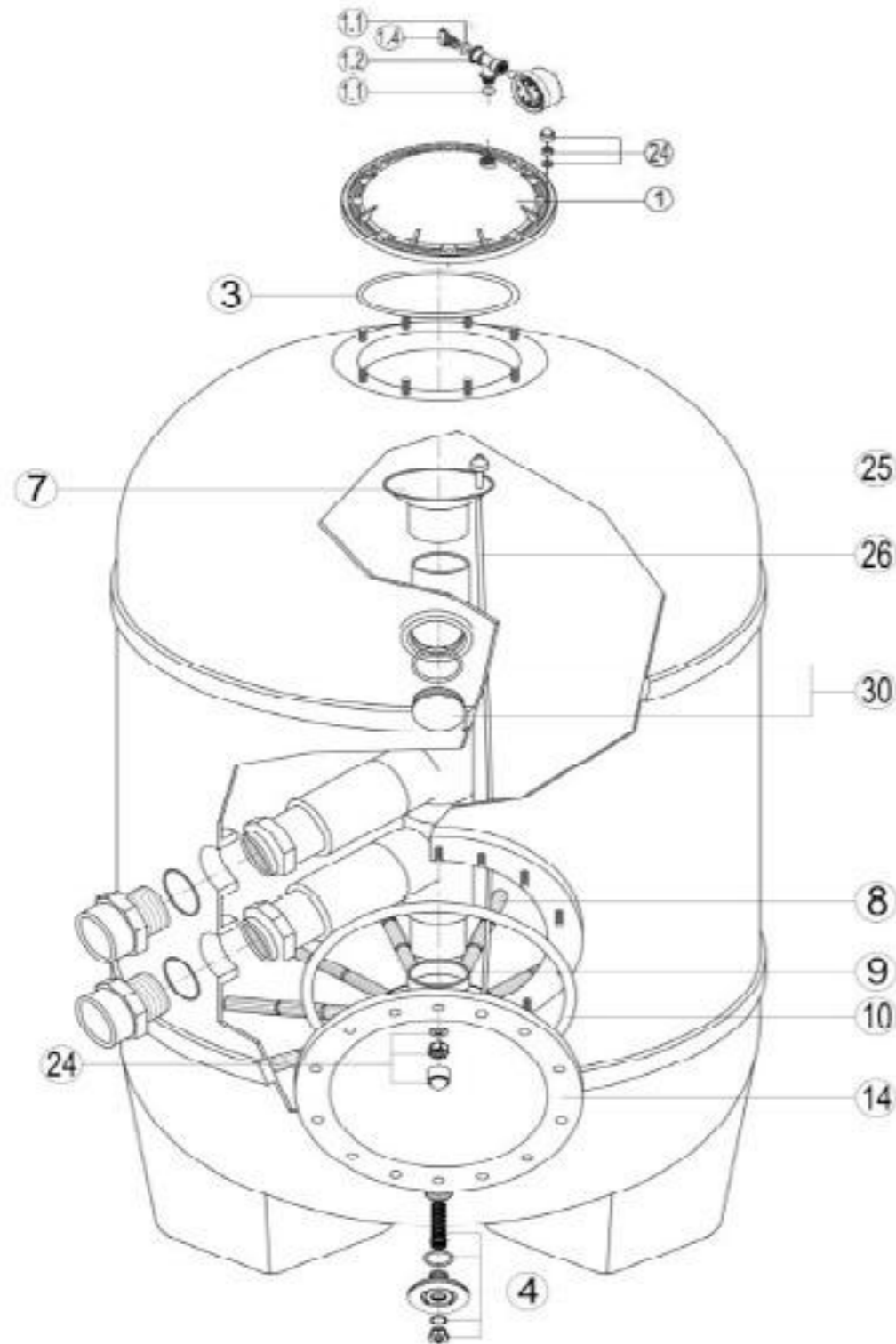


N°	DESCRIPTION ⁽¹⁾	REF./ PART No.	Qty/ Box
1+ 1.2 + 3	Lid-Dôme-Deckel-Domo-Tapa-Coperchio-Корепел-Тампа-крышка	500321000101	1
1.2	Manual Air relief cap-Purgeur -anuel · Entlüftungsschraube · Purgador · Spurgo aria-Handaftapkraan-Purga de ar-ручная пневматическая крышка	500321111200	2
3	Lid O-ring · Joint torique de dôme · Deckel O'Ring · O'Ring de domo · Guarnizione O'Ring della coperchio · Koepel o'ring · Junta de tapa · Крышка уплотнительное кольцо	500201031100	2
4	Drain clamp-Bouchon de vidange-Entleerung-stopfen-Tapón de vaciado-Tappo di spurgo-Leegmaakdop-Esvaziamento · Дренажный зажим	500202011000	1
7	Diffuser-Diffuseur supérieur · Verteiler · Difusor · Diffusore-Verdeler · Retire o difusor-диффузор Ø 63 mm Ø 75 mm Ø 90 mm Ø 110 mm Ø 125 mm Ø 140 mm Ø 160 mm	500321000700 500321000701 500321000702 500321000703 500321000704 500321000705 500321000706	1 1 1 1 1 1 1
8	Nozzle L= 80 mm · Crêpine L= 80 mm · Verteiler L= 80 mm · Crepina L= 80 mm · Candeletta L= 80 mm · Draadfilters L= 80 mm · Ralos L= 80 mm · Сепаратор L= 80 mm	500413001300	2
24	Lid nuts kit-Kit d'écrou de couvercle-Deckelmutter-Kit-Kit de tuercas tapa · Kit di dadi di copertura-Dekselmoerkit-Kit de porca de tampa-Комплект гайки крышки	500321002400	14
25 + 26	Air relief tube-Tube de purge d'air-Entlüftungsrohr-Tubo de purga de aire-Tubo spurgo aria-Buis van ontluchting-Tubo purge de ar-Трубка воздушного клапана	500321002500	1
27+3	Lateral lid · Couvercle latéral · Seitlicher Deckel · Tapa lateral · Coperchio laterale · Zij deksel · Tapa lateral · Боковая крышка	500413001401	1

Filtre

Filter

HCF ALTEA SERIES REF: HCFG, HCFJ
(with arm collectors / avec collecteur
crépines / con brazos colectores)

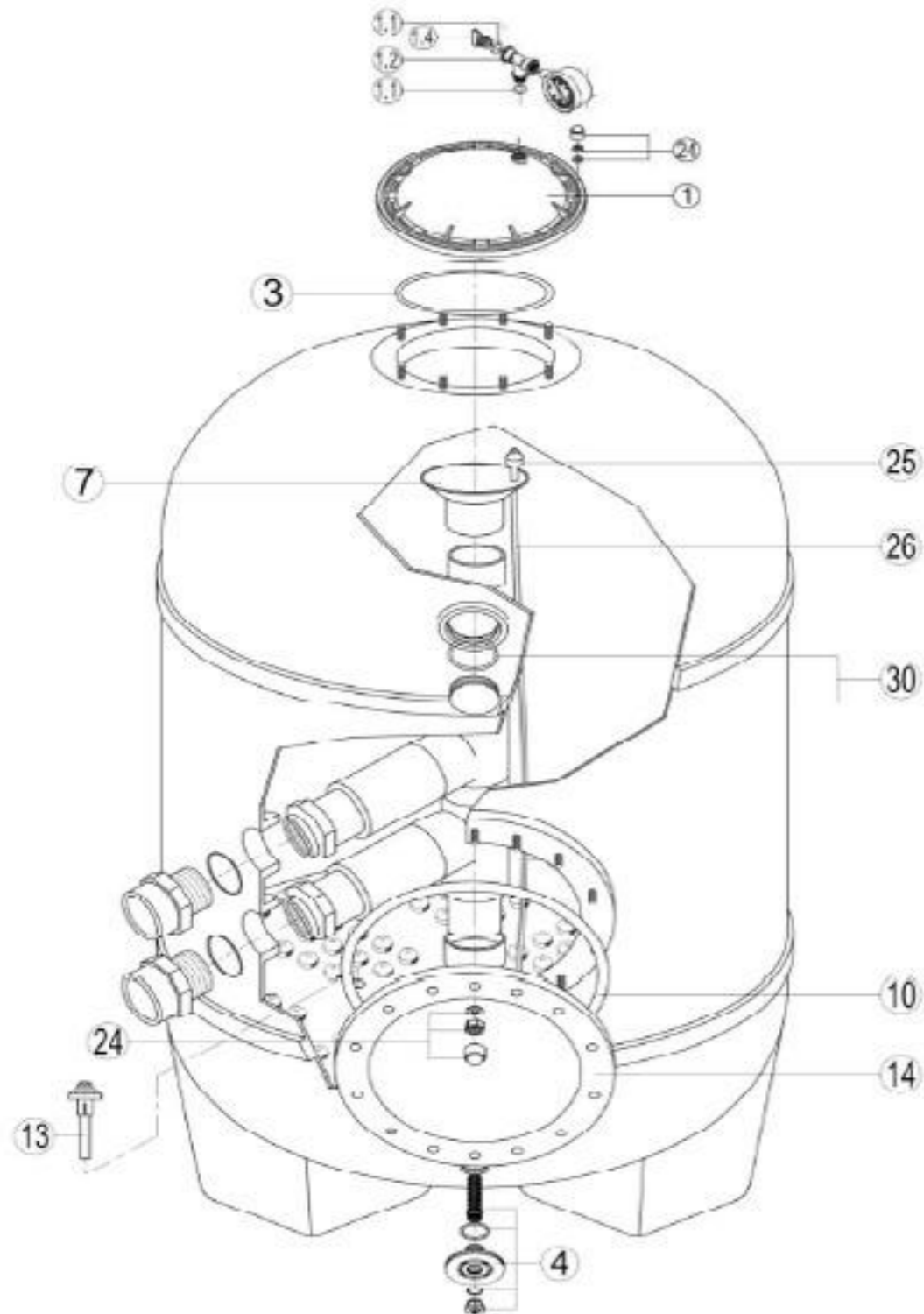


N°	DESCRIPTION ⁽¹⁾	REF./ PART No.	Qty/ Box
1 + 3	Lid • Dome • Deckel • Domo • Coperchio • Кюепел • Tapa • Крышка	500201042000	1
1.1+1.2+.14	Manual air relief cap • Tube de purge d'air • Purgador	500211120300	1
3	Lid O-ring • Joint torique • Junta Tapa	500201001100	5
4	Drain kit • Bouchon de vidange • Conjunto desagüe	500202001000	1
7	Open Diffuser • Diffuseur supérieur • Difusor Abierto / Ø 90 mm	500321000702	1
7	Open Diffuser • Diffuseur supérieur • Difusor Abierto / Ø 110 mm	500321000703	1
*8	Laterals • Crépine • Brazo colector / L= 110 mm	500321000801	2
*8	Laterals • Crépine • Brazo colector / L= 210 mm	500321000803	2
*8	Laterals • Crépine • Brazo colector / L= 320 mm	500201121000	2
*8	Laterals • Crépine • Brazo colector / L= 380 mm	500201131000	2
*8	Laterals • Crépine • Brazo colector / L= 540 mm	500201141000	2
9	Collector • Sièges des crépines • Colector / Ø 90-110	500203020100	1
10	Side Lid O-ring • Joint torique pour couvercle latéral • Junta Tapa lateral	500201031100	2
14 + 10	Side lid • Couvercle latéral + Joint torique • Tapa lateral	500413001401	1
24	Top lid nuts kit • Kit écrous couvercle Top • Kit tuercas tapa superior	500201001300	8
24	Side lid nuts kit • Kit écrous couvercle latéral • Kit tuercas tapa lateral	500321002400	14
25 + 26	Air relief kit • Kit de purge d'air • Kit de purga	500413002500	1
30	Viewer • Voyant • Visor	500311003000	1
-	Glycerin pressure gauge • Manomètre à glycérine • Manómetro Glicerina / Ø 63 1/4"	210100606300	1

Filtre

Filter

HCF ALTEA SERIES REF: HCFG, HCFJ
(with nozzle plate / plancher filtrant /
con placa de crepinas)

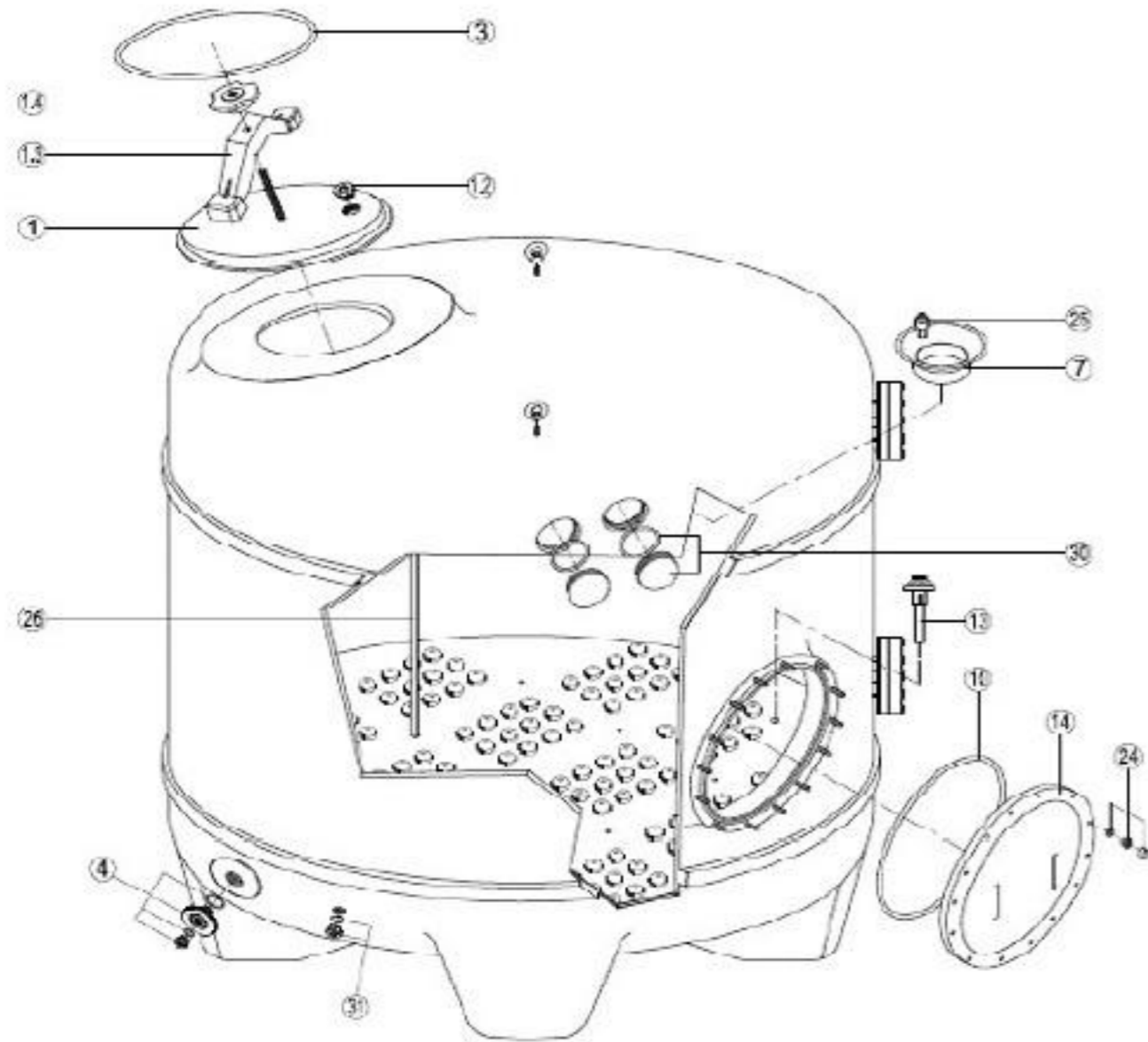


N°	DESCRIPTION ⁽¹⁾	REF./ PART No.	Qty/ Box
1+ 3	Lid • Dome • Deckel • Domo • Coperchio • Кошпел • Tapa • Крышка	500201042000	1
1.1+1.2+1.4	Manual air relief cap • Tube de purge d'air • Purgador	500211120300	1
3	Lid O-ring • Joint torique • Junta Tapa	500201001100	5
4	Drain kit • Bouchon de vidange • Conjunto desagüe	500202001000	1
7	Open Diffuser • Diffuseur supérieur • Difusor Abierto / Ø 90 mm	500321000702	1
7	Open Diffuser • Diffuseur supérieur • Difusor Abierto / Ø 110 mm	500321000703	1
9	Collector • Sièges des crépines • Colector / Ø 90-110	500203020100	1
10	Side Lid O-ring • Joint torique pour couvercle latéral • Junta Tapa lateral	500201031100	2
13	Nozzle • Crépine • Crepina / L= 80 mm	500413001300	2
14 + 10	Side lid • Couvercle latéral + Joint torique • Tapa lateral	500413001401	1
24	Top lid nuts kit • Kit écrous couvercle Top • Kit tuercas tapa superior	500201001300	8
24	Side lid nuts kit • Kit écrous couvercle latéral • Kit tuercas tapa lateral	500321002400	14
25 + 26	Air relief kit • Kit de purge d'air • Kit de purga	500413002500	1
30	Viewer • Voyant • Visor	500311003000	1
-	Glycerin pressure gauge • Manomètre à glycérine • Manómetro Glicerina / Ø 63 1/4"	210100606300	1

Filtre

Filter

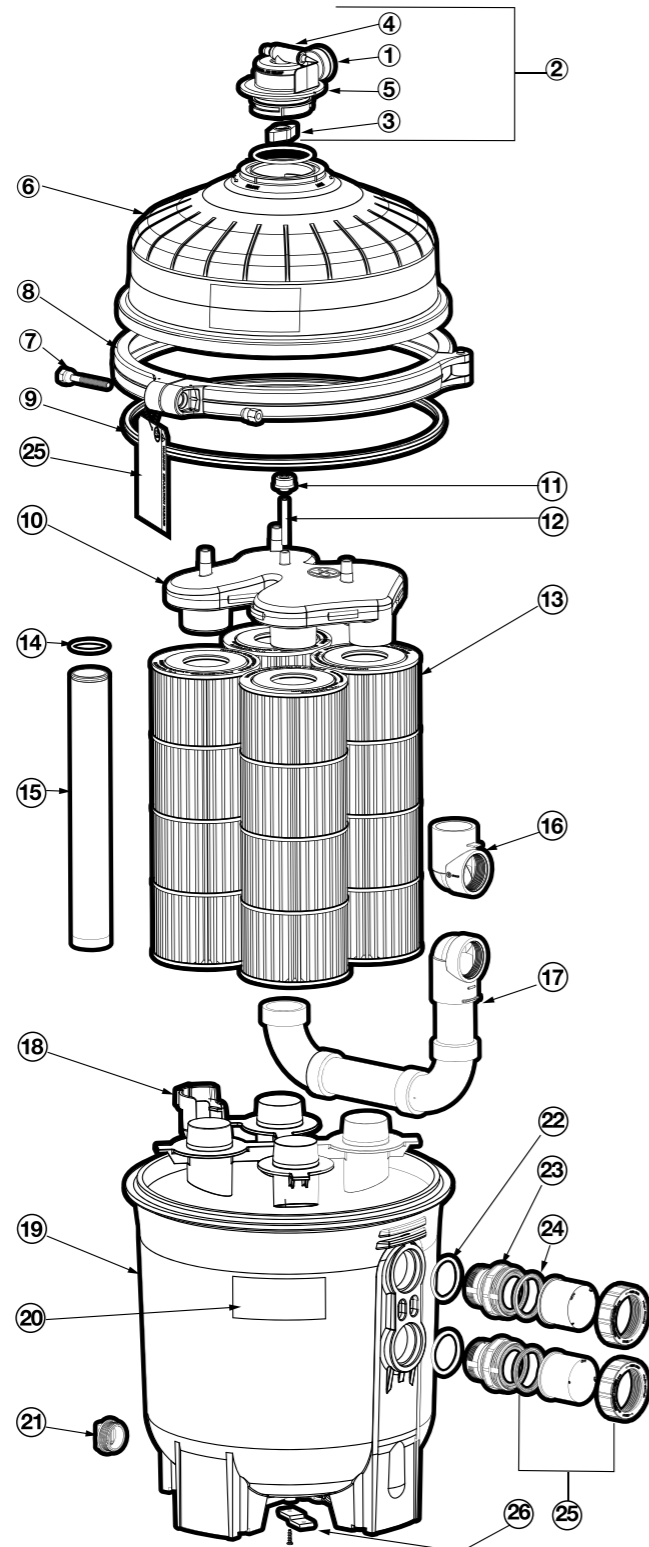
NORDIK SERIES / REF ND



N°	DESCRIPTION ⁽¹⁾	REF./ PART No.	Qty/ Box
1+1.2+1.3+1.4+3	Lid • Dôme • Tapa	500311000106	1
1.2	Air relief cap • Bouchon de purge • Tapón purga	500321111200	2
1.3	Bridge • Pont • Puente	500361111301	1
1.4	Threaded knob • Bouton fileté • Pomo roscado	500311111400	1
3	Lid O-ring • Joint torique de couvercle • Junta Tapa	500311000301	2
4	rain kit • Bouchon de vidange • Conjunto desagüe	500202011000	1
7	Open Diffuser • Diffuseur supérieur • Difusor Abierto / Ø 110 mm	500321000703	1
7	Open Diffuser • Diffuseur supérieur • Difusor Abierto / Ø 125 mm	500321000704	1
7	Open Diffuser • Diffuseur supérieur • Difusor Abierto / Ø 140 mm	500321000705	1
7	Open Diffuser • Diffuseur supérieur • Difusor Abierto / Ø 160 mm	500321000706	1
10	Side Lid O-ring • Joint torique de couvercle latéral • Junta Tapa lateral	500201031100	2
13	Nozzle • Crépine • Crepina / L= 140 mm	500311001301	2
14 + 10	Side lid • Couvercle latéral • Tapa lateral	500413001401	1
24	Lid nuts kit • Kit écrous couvercle • Kit tuercas tapa	500321002400	14
25 + 26	Air relief kit • Kit de purge d'air • Kit de purga	500413002500	1
30	Viewer • Voyant • Visor	500311003000	1
31	Cap 2" • Bouchon 2" • Tapón 2"	500415003100	2

Filtre Filter

SWIMCLEAR™ - REF: HCF7030CE

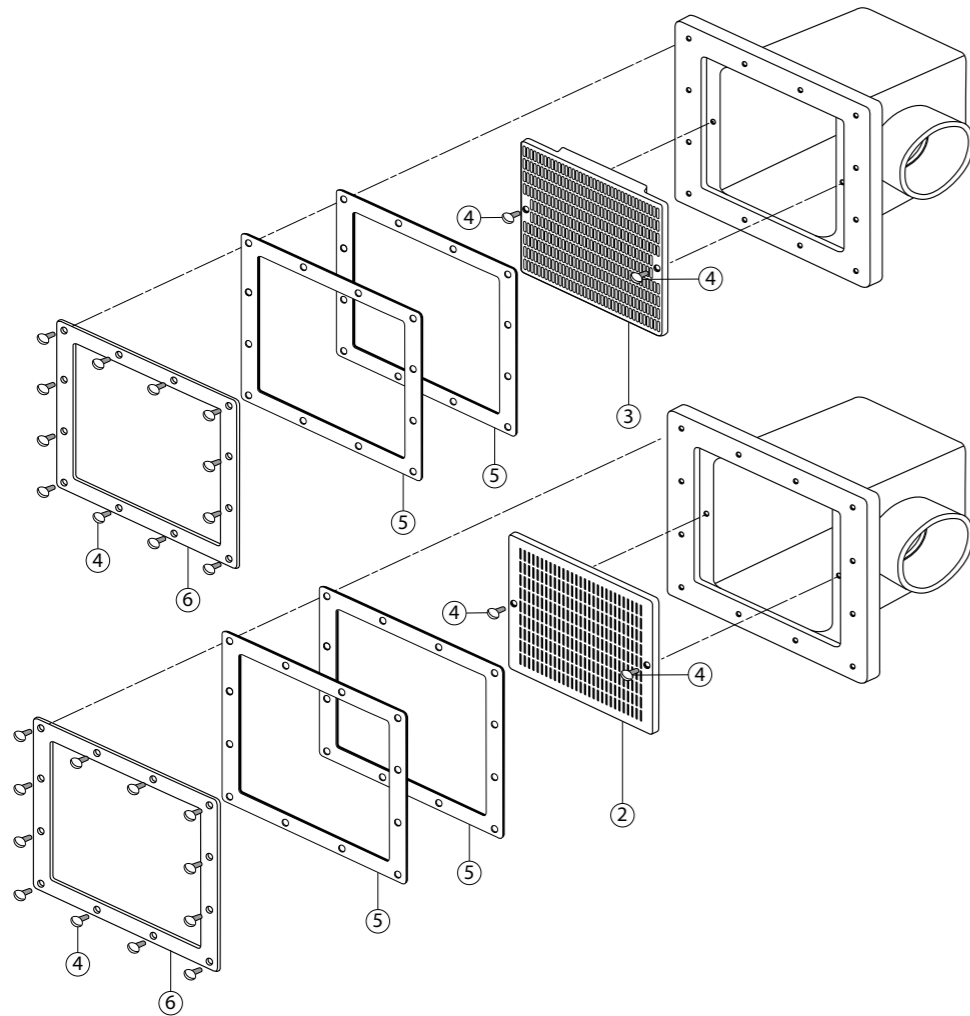


N°	DESCRIPTION (1)	REF./ PART No.	Qty/ Box
1	Manomètre • Pressure Gauge • Manometer • Manómetro • Manometro • Manometer • Manómetro • Манометр	ECX2712B1	1
2	Joint torique (x2) • O-Ring Kit (x2) • O-Ring (x2) • Junta tórica (x2) • Guarnizione o'ring (x2) • O-ring (x2) • Junta tórica (x2) • Уплотнительное кольцо (x2)	DEX2420Z8A	1
3	Ecrou d'adaptateur • Air Relief Valve Nut • Adaptermutter • Tuerca de adaptador • Dado dell'adattatore • Moer verloopstuk • Tuerca de adaptador • Адаптер	CCX1000N	1
4	Ensemble purgeur avec joint torique • Manual Air Relief with O-Ring • Entlüftersatz mit Ringdichtung • Conjunto de purgador con junta tórica • Complessivo spurgatore con O-ring • Ontluchter met O-ring • Conjunto purgador con junta tórica • Воздушный клапан с уплотнительным кольцом	CCX1000V	1
5	Purgeur d'air manuel • Manual Air Relief Assembly • Ausblasventil • Purgador de aire • Spurgo aria • Ontluchter • Conjunto purgador con junta tórica • Регулируемый воздушный клапан	DEX2420MAR2	1
6	Tête de filtre + Cerclage • Upper Filter Body + Clamp • Filterkopf + Umreifung • Cabeza de filtro + Zunchado • Coperchio del filtro + Fascetta • Het hoofd + De assemblage van de klem • Cabeça do filtro + Conjunto da braçadeira • Крышка + Хомут (HCF7030CE)	DEX7220BTC	1
7	Tige de serrage • Clamp Bolt & Nut • Überwurfmutter • Tuerca de manguito • Dado di chiusura • De nootassemblage van de koker • Conjunto de porca da luva • Гайка распорной втулки	DEX2421J2	1
8	Cerclage • Clamp System • Umreifung • Zunchado • Fascetta di fissaggio • De assemblage van de klem • Conjunto da braçadeira • Хомут	DEX2421JKIT	1
9	Joint torique de corps de filtre • Metal Reinforced Seal • O-Ring Filterkörper • Junta tórica de cuerpo de filtro • Guarnizione O'Ring corpo del filtro • O-ring van het huis • Junta tórica do corpo • Прокладка	DEX2422Z2	1
10	Collecteur supérieur • Top Manifold • Obere Kollektor • Colector superior • Collettore superiore • De hoogste Verzamelleiding van de Collector • Distribuidor Superior Do Coletor • Верхняя коллекторная плита (HCF7030CE)	CX5030C	1
11	Filtre • Air Relief Filter • Filter • Filtro • Filtro • Filter • Filtro • Фильтр	CX3000J1	1
12	Tube de purge d'air • Air Relief Tube • Lüftungsschlauch • Tubo purga aire • Tubo di spurgo aria • De Buis van de Hulp van de lucht • Tubo Do Relevo Do Ar • Трубка воздушного клапана	CX2030Z3	1
13	Cartouche • Cartridge Element • Patrone • Cartucho • Cartuccia • Patroon • Cartucho • Картридж (HCF7030CE)	CX591XRE	4
/	Connecteur Cartouche • Cartridge connector • Cartridge-Anschluss • Conector de cartucho • Connettore cartuccia • Cartridge connector • conector do cartucho • разъем картриджа (HCF7030CE)	CX7020M	1
14	Joint torique de coude • O-Ring • O'Ring • Junta tórica • Guarnizione O'ring • O-ring • Junta tórica • Уплотнительное кольцо	DEX2400Z5	1
15	Tuyau de sortie • Outlet pipe • Auslaufrohr • Tubería de salida • Tubo di scarico • Afvoerpijp • Tubo de saída • выпускная труба (HCF7030CE)	CX3031F10	1
16	Coude d'entrée • Inlet Elbow • Eingangswinkel • Codo de entrada • Gomito di entrata • De Elleboog van de inham • Cotovelo Da Entrada • Верхнее колено (09/2012 -->)	CX3030F	1
17	Tuyau d'entrée • Inlet pipe • Einlaufrohr • Tubo de entrada • Ingresso del tubo • Inlaatpijp • Tubo de entrada • впускная труба (09/2012 -->)	CX3030H	1
18	Collecteur inférieur • Bottom Seal Plate • Unterer Kollektor • Colector inferior • Collettore inferiore • De Verzamelleiding van de Collector van de bodem • Distribuidor Inferior Do Coletor • Нижняя коллекторная плата	CX3030D	1
19	Filtre, Partie inférieure • Lower Filter Body • Filter, Unterteil • Filtro, Parte inferior • Filtro, Parte inferiore • Filter, Binnengedeelte • Filtro, Parte inferior • Корпус фильтра	DEX2420ATC	1
21	Bouchon de vidange avec joint torique • 1 1/2" Drain Plug with O-Ring • Ablassstopfen mit Ringdichtung • Tapón de vaciado con junta tórica • Tappo di scarico con O-ring • Aftapplug met O-ring • Tampa de esvaziamento com junta tórica • Сливная пробка с уплотнительным кольцом	SP1022CBLK	1
22	Joint torique de traversée • O-Ring • O'Ring • Junta tórica • Guarnizione O'ring • O-ring • Junta tórica • Уплотнительное кольцо	SX0220Z2	1
23	Traversée de paroi • Bulkhead Fitting • Durchführung • Pasamuro • Passante • De Montage van het waterdichte schot • Encaixe De Anteparo • Фитинг	CX3035F	1
24	Joint pour raccord union (x2) • Union Gasket (T-seal) (x2) • O-Ring (x2) • Junta tórica (x2) • Guarnizione O'ring (x2) • O'ring Dichtheidsadapter (x2) • Junta tórica de adaptador (x2) • Прокладка (x2)	SPX3200UG	1
25	kit de raccordement (63mm) • Union Connection Kit (63 mm) • Klempnerarbeitsinstallationssatz (63mm) • Kit de la plomeria (63mm) • Corredo dell'impianto idraulico (63mm) • De uitrustung van het loodgieterswerk (63mm) • Jogo do encanamento (63mm) • Соединительный фитинг с контргайкой (63mm)	SP3200UNKIT63	1

Pièces à sceller

White goods

COMMERCIAL DRAIN (355x355)

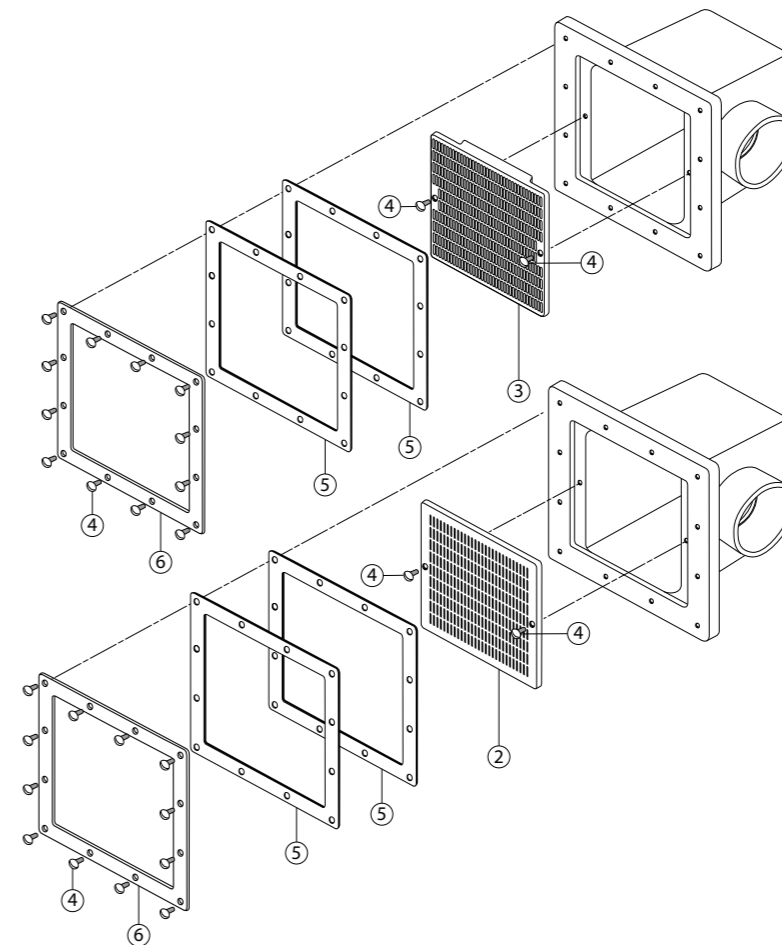


N°	DESCRIPTION ⁽¹⁾	REF./ PART No.	Qty/ Box
2	SIP Grid (AISI 304 L) • Rejilla SIP (AISI 304 L) • Grille SIP (AISI 304 L)	500603000200	1
3	SPP Grid (ABS) • Rejilla SPP (ABS) • Grille SPP (ABS)	500603000300	1
4	Grid screws • Tornillos rejilla • Vis grille	500603000400	2
4	Screws for liner • Tornillos para liner • Vis pour Liner	500603000401	14
5	Gaskets for liner • Juntas para liner • Joints pour Liner	500603000500	2
6	Frame for liner • Marco para liner • Cadre pour Liner	500603000600	1

Pièces à sceller

White goods

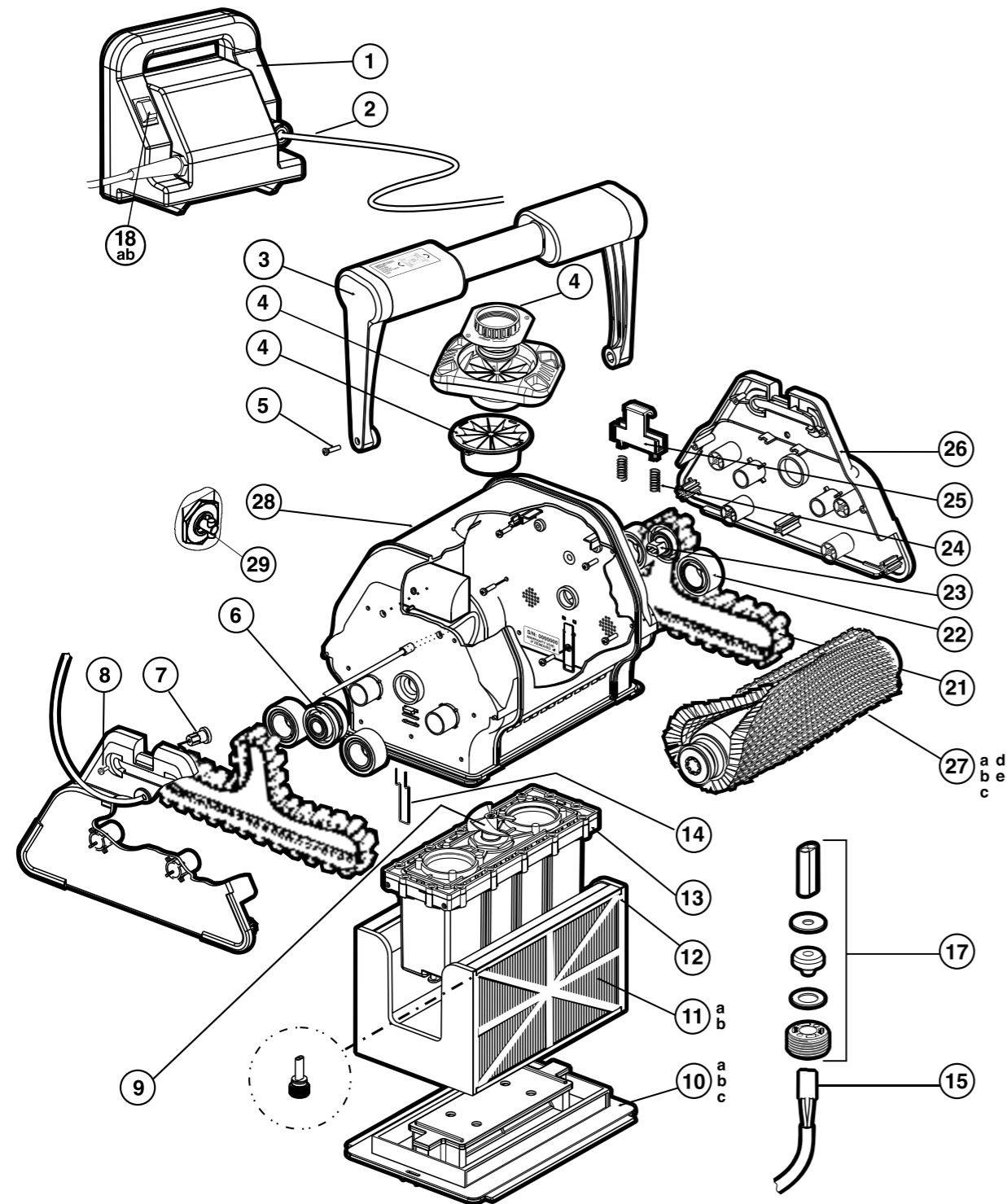
COMMERCIAL DRAIN (512x512)



N°	DESCRIPTION ⁽¹⁾	REF./ PART No.	Qty/ Box
2	SIP Grid (AISI 304 L) • Rejilla SIP (AISI 304 L) • Grille SIP (AISI 304 L)	500604000201	1
3	SPP Grid (ABS) • Rejilla SPP (ABS) • Grille SPP (ABS)	500604000202	1
4	Grid screws • Tornillos rejilla • Vis grille	500603000400	2
4	Screws for liner • Tornillos para liner • Vis pour Liner	500604000402	22
5	Gaskets for liner • Juntas para liner • Joints pour Liner	500604000501	2
6	Frame for liner • Marco para liner • Cadre pour Liner	500604000602	1

Nettoyeur de piscine Cleaner

TIGERSHARK 2



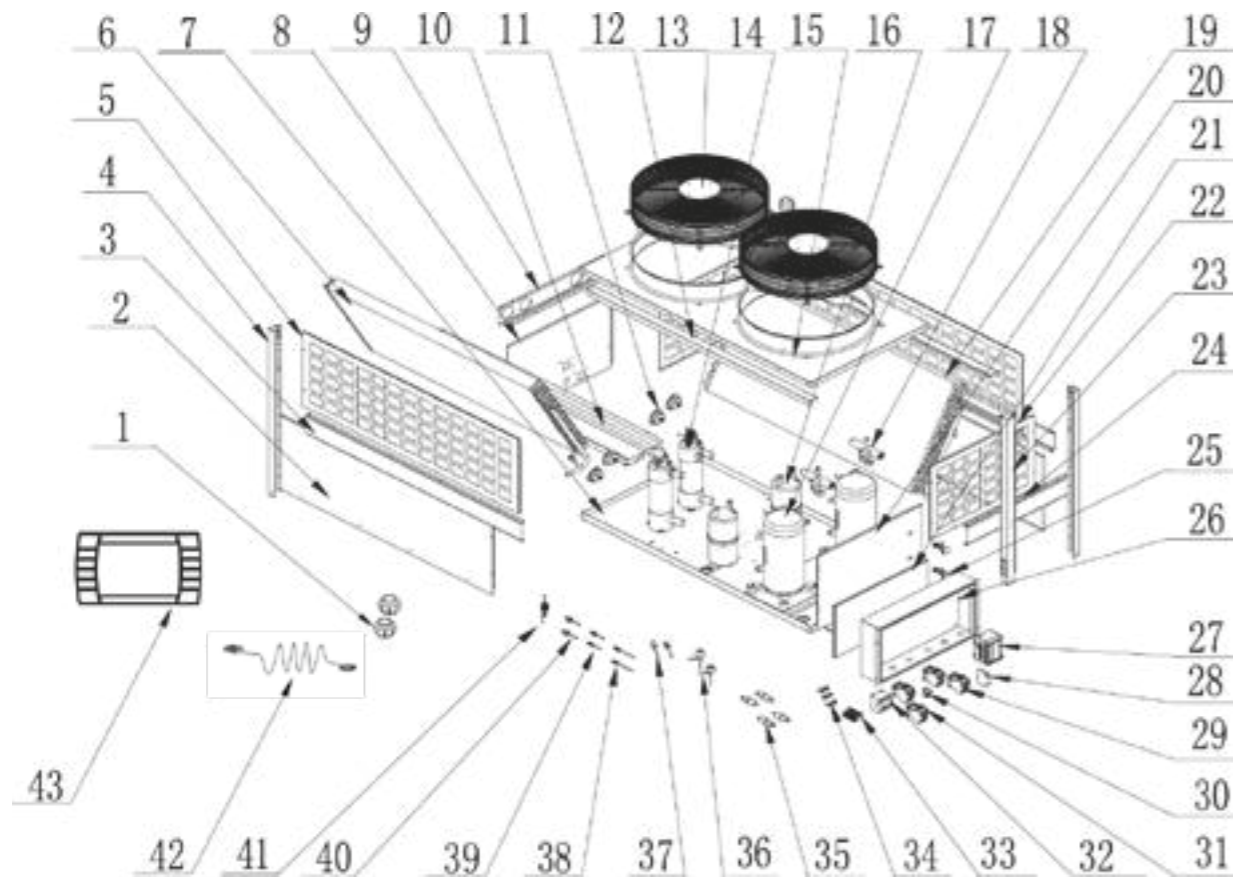
N°	DESCRIPTION (1)	REF./ PART No.
1	Boitier d'alimentation • Power Supply • Versorgungskasten • Caja De Alimentación • Scatola Di Alimentazione • Caixa De Alimentação • Voedingskast • Блок Питания (240V)	RCX97454
/	Disjoncteur • Circuit breaker • Schutzschalter • Cortacircuitos • Interruttore • Disjuntor • Stroomonderbreker • автоматический выключатель (3A)	RCX31013A
/	Connecteur d'alimentation 24V • Power supply connector 24V • Stromversorgungsstecker 24V • Conector de alimentación de 24 V • Connettore di alimentazione 24V • Conector da fonte de alimentação 24V • Voeding connector 24V • Разъем питания 24V	RCX31018
2	Cordon Flottant Std/Qc • Assy-Power Cord, Floating Std/Qc • Stromkabel Floating Std/Qc • Cordon Flotante Std/Qc • Cavo Galleggiante Std/Qc • Cabo Flutuante Std/Qc • Losse Kabel Std/Qc • Подвижный Шнур Std/Bo (30 m)	RCX50110
3	Poignée Complète Bleu • Assy-Handle, Dk Blue • Vollständiger Handgriff Blau • Empuñadura Completa Azul • Maniglia Completa Blu • Punho Completo Azul • Volledig Handvat Blauw • Рукоятка Синего Цвета	RCX76007
4	Venturi complet • Complete Venturi Assembly • Vollständiges Venturi Zusammenbau • Complete Venturi Assembly • Completo Venturi Completo • Conjunto Do Difusor Completo • Volledige Venturi-Eenheid • Трубка Вентури, Полный Комплект	RCX11208
5	Vis M5 X20 Pan Torx Hd T-18-8 • Screw-M4 X 12 Pan, Set Of 5 • Schraube M5x20 Seitenfläche Torx Hd T-18-8 • Tornillo M5 X20 Pan Torx Hd T-18-8 • Vite M5 X20 Pan Torx Hd T-18-8 • Parafuso M5 X20 Pan Torx Hd T-18-8 • M5-Schroef X20 Pan Torx Hd T-18-8 • Болт M5 X 20 Ключ Torx Hd T-18-8	RCX12011
6	Roulement Chenille Int • Roller-Bearing Guide • Kettenlager Innen • Rodamiento Oruga Int • Rullo Cingolato Int • Rolamento Da Lagarta Int • Lager Binnenste Rupsband • Подшипниковая Направляющая, Внутренняя	RCX26001
7 + 24 + 25	Kit glissière de poignée • Handle slide kit • Kit griffgleitschiene • Kit de deslizamiento del asa • Kit di scorrimento della maniglia • Kit de corredeira • Handgreep schuifset • Комплект слайдера с ручкой	RCX14000KIT
8	Vis M4 X12 Pan Torx Hd T-18-8 Aqv • Spring-Bottom Lid • Schraube M4x12 Seitenfläche Torx Hd T-18-8 Aqv • Tornillo M4 X12 Pan Torx Hd T-18-8 Aqv • Vite M4 X12 Pan Torx Hd T-18-8 Aqv • Parafuso M4 X12 Pan Torx Hd T-18-8 Aqv • M4-Schroef X12 Pan Torx Hd T-18-8 Aqv • Болт M4 X 12 Ключ Torx Hd T-18-8 Aqv	RCX12001
9	Turbine avec vis • Impeller with screw • Turbine mit schnecke • Turbina con tornillo • Turbina con vite • Turbina com parafuso • Turbine met schroef • Рабочее колесо с винтом	RCX11000
10a	Couvercle Inferieur Complet • Assy-Bottom Lid • Unterer Deckel Vollständig • Tapa Inferior Completa • Coperchio Inferiore Completo • Tampa Inferior Completa • Compleet Bodemdekseel • Нижняя Крышка	RCX75000-236
10b	Joint Couvercle Inferieur • Gasket-Filter, Bottom Lid • Dichtung Unterer Deckel • Junta Tapa Inferior • Guarnizione Coperchio Inferiore • Junta Da Tampa Inferior • Pakking Bodemdekseel • Замок Нижней Крышки	RCX78005
10c	Clapet Admission Aqv • Flap-Inlet • Einlassklappe Aqv • Válvula Admisión Aqv • Valvola Di Entrata Aqv • Válvula Automática De Admissão Aqv • Toevoerventiel Aqv • Впускная Задвижка Aqv	RCX75005
11a	Eléments filtrant • Filter Cartridge Refill Set • Filterkartusche Nachfüllset • Juego de repuesto de cartucho de filtro • Set di ricarica per cartuccia filtro • Conjunto de recarga do cartucho filtrante • Navulset voor filterpatroon • Фильтрующий картридж	RCX70101PAK2
11b	Eléments filtrant (printemps) • Filter-spring clean-up set • Filterkartusche Nachfüllset (Frühling) • Juego de repuesto de cartucho de filtro (primavera) • Set di ricarica per cartuccia filtro (Primavera) • Conjunto de recarga do cartucho filtrante (Primavera) • Navulset voor filterpatroon (Spring) • Фильтрующий картридж (Весна)	RCX70103PAK2
12	Elément Filtrant Complet • Assembly-Filter Cartridge • Filterelemente Vollständig • Elemento Filtrante Completo • Elemento Filtrante Completo • Elemento Filtrante Completo • Volledig Filterelement • Фильтр, Полный Комплект	RCX70100
13	Ensemble moteur drive 7h dc • Assy-motor unit, remote 7 hr • Struktur motor antrieb 7h gleichstrom • Conjunto motor drive 7h dc • Unità motore drive 7h dc • Conjunto do motor drive 7h cc	RCX41000DC
14	Clip De Couvercle • Clip-Lid, Set Of 2 • Deckelclip • Clip De Tapa • Molla Coperchio • Grampo De Tampa • Dekselclip • Зажим Крышки	RCX11400
15	Embase de connecteur Molex • Connector Socket Molex • Steckdose Molex • Enchufe conector Molex • Connettore Socket Molex • Suporte de conector Molex • Molex contrastekker • Контактное гнездо Molex	RCX59006
17	Rondelle cable inférieur • Washer Plastic Connector • Wäscherplastikstecker • Arandela de plástico del conector • Connettore rondella in plastica • Conector plástico com anilha • Dichtring plastic connector • Пластмассовая прокладка	RCX59004KIT
18a	Interrupteur d'alimentation • Power Supply switch • Netzschalter • Interruptor De Alimentación • Interruttore di alimentazione • Interruptor de alimentação • Uitknop • Переключатель питания (16A)	RCX31012
18b	Membrane de l'Interrupteur • Switch membrane cover • Schalterabdeckung • Tapa del interruptor • Coprinterruptore • Tampa do interruptor • Klepje • Переключатель крышки	RCX31012A
21	Chenille • Drive track-soft tread • Kette • Oruga • Cingolo • Lagarta • Rupsband • гусеница	RCX23002
22	Roulement chenille ext • Pulley-bearing idler • Kettenlager außen • Rodamiento oruga ext • Rullo cingolato ext • Rolamento da lagarta ext • Lager buitenste rupsband • подшипниковая направляющая, внешняя	RCX26000PAK2
23	Roulement chenille moteur int • Assy-drive bearing pulley • Kettenlager motor innen • Rodamiento oruga motor int • Rullo cingolato motore int • Rolamento da lagarta do motor int • Lager binnenste rupsband motor • подшипниковая направляющая привода, внутренняя	RCX26002
26	Capot Coté Tigershark • Cover Side • Haube Seite Tigershark • Capó Lado Tigershark • Cappuccio Laterale Tigershark • Capó Lateral Tigershark • Behuizing Zijkant Tigershark • Боковой Капот Тигрового Цвета	RCX13200
27a	Brosse picot • Brush-roller t/s, clear • Picotbürste • Cepillo pico • Rullo a spazzola • Escova com saliências • Borstel met stekels • остроконечная щетка	RCX26008
27b	Rouleau + mousse • Tube wheel + foam • Rolle + schaumstoff • Rodillo + espuma • Rullo + schiuma • Rolo + espuma • Rol + schuim • валик + пена	RCX26012
27c	Rouleau tube seul • Tube, Wheel • Rohr, Rad • Cámara, rueda • Cerchione • Tubo, roda • Wielhuis • Корпус валика	RCX26003
27d	Roulement de rouleur • Bearing-Wheel Tube • Rollenlager • Rodamiento de rodillos • Cuscinetto a rullo • Rolamento de rolo • Rollager • Роликовый подшипник	RCX26005S
27e	Vis • Screw-Self Tap Phil Flat #4x3/8 Ss • Schraube • Tornillo • Vite • Parafuso • Schroef • Болт	RCX3406*
28	Corps Tigershark Assemble • Assy - Outer Casing Tigershark • Korpus Tigershark Zusammenbau • Cuerpo Tigershark Ensambladura • Corpo Tigershark • Corpo Tigershark Montado • Monteerdeel Tigershark • Корпус Тигрового Цвета	RCX3406*
29	Ergot d'entraînement • Drive Pin Assembly • Mitnehmerstiftstruktur • Conjunto de pasador de transmisión • Gruppo coppiglia • Conjunto do pino de transmissão • Meeneempeneenheid • Комплектный поводковый палец	RCX40117
/	Incert grande vitesse • high velocity inlet • Hochgeschwindigkeitseinsatz • inserción alta velocidad • Inserto alta velocità • inserção de alta velocidade • hoge snelheid insert • вставка высокая скорость	RCX17000
/	Plaque de retenue de cable • Cable retaining plate • Placa de retencion del cable • Kabelhalteplatte • Piastra di fissaggio del cavo • Kabelhouderplaat • Placa de fixacao do cabo • Пластина для фиксации кабеля	RCX59007
/	Flap drain • Clapet de vidange • Ablassventil • Valvula de drenaje • Valvola di scarico • Valvula de drenagem • Afvoerklap • Сливной клапан	RCX17100

* Dans la limite des stocks disponibles - Limited quantity available - In der Grenze ihres bestandes verfügbar auf diesem artikel - En la limite de cantidades disponibles
Nella limita dei stocchi disponibili - Disponibilidade de stock limitado - количество ограничено

Pompe à chaleur

Heat pump

HCH SERIES HEAT PUMP - REF: HCHVAS43

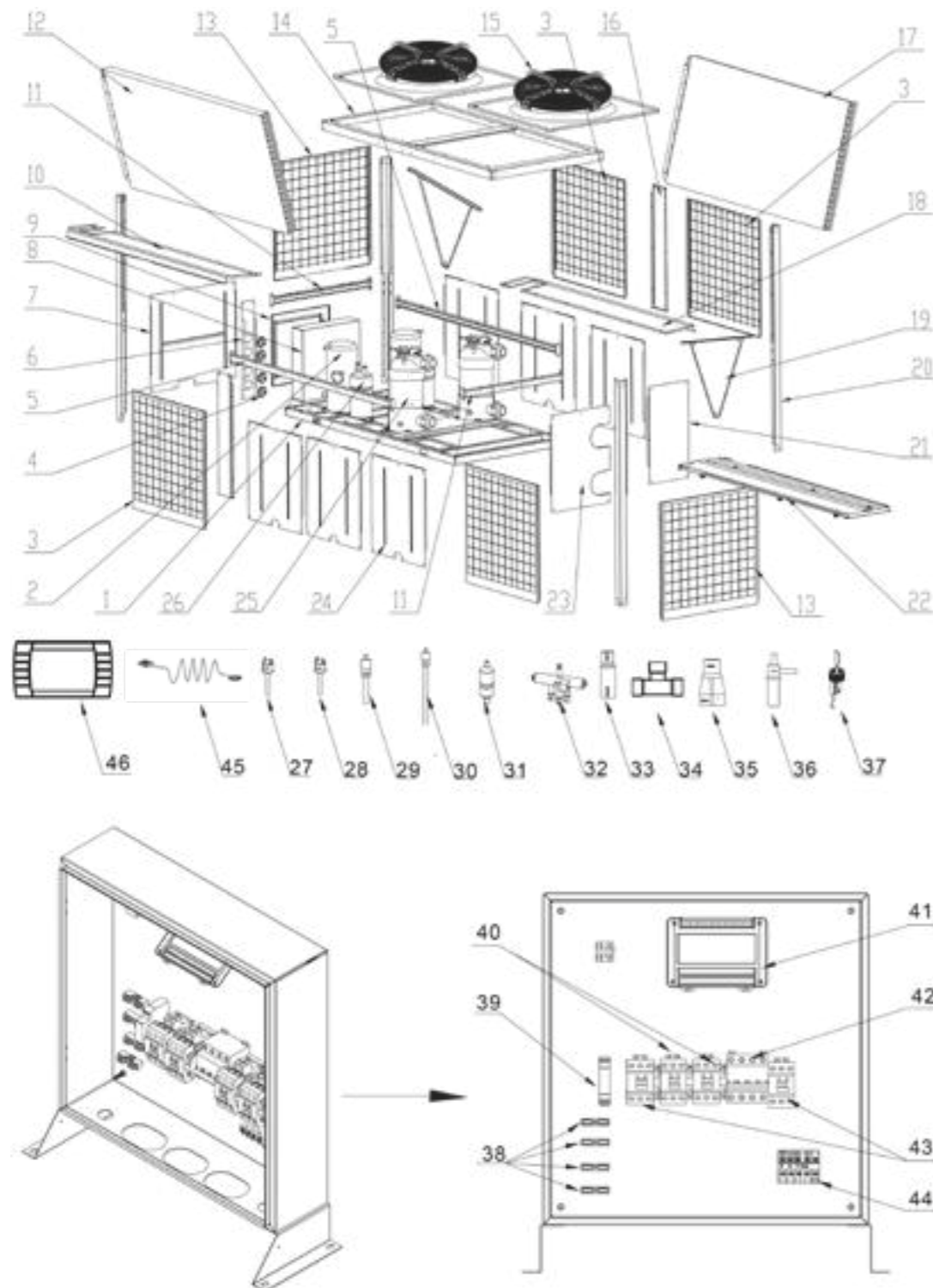


N°	DESCRIPTION (1)	REF./ PART No.
1	Union connector kit 63 mm • Kit de raccord union 63 mm • Anschluß-Stecker 63 mm • Asamblea del conector de la unión 63 mm • Assembla del connettore del sindacato 63 mm • De assemblage van de unieschakelaar 63 mm • Conjunto do conector da união 63 mm • Фитинг 63 мм	HWX20021338
6	Evaporateur à ailette (gauche) • Fin coil (Left) • Flügelevaporator (links) • Evaporador de aleta (izquierda) • Evaporador de aleta (sinistra) • Evaporador de alheta (esquerda) • Verdampfer met lamellen (links) • Пластинчатый испаритель (слева)	HWX32006120012
11	Pressure Gauge • Manomètre • Manometer • Manómetro • Manometro • Manometer • Manómetro • Манометр	HWX20000280004
13	Moteur ventilateur • Fan motor • Gebläsemotor • Motor ventilador • Motor ventilador • Motor ventilador • Ventilatormotor • Мотор вентилятора	HWX20000330160
14	Condenseur Titane PVC • PVC-Titanium condenser • Titan-Kondensator PVC • Condensador de titanio PVC • Condensador de titanio PVC • Condensador Titane PVC • Titatium PVC condensor • Охладитель из ПВХ Titane	HWX32006120015
16	Réservoir de liquide • Liquid tank • Flüssigkeitstank • Depósito de líquido • Serbatoio di liquido • Depósito de líquido • Vloeistofvat • Резервуар для жидкости	HWX35051405
17	Compresseur • Compressor • Kompressor • Compresor • Compresor • Compressor • Compressor • Компрессор	HWX20000110052
18	Vanne 4 voies • 4 ways valve • 4-Wege-Ventil • Válvula 4 vías • Válvula 4 vías • Válvula de 4 vías • 4-wegskraan • 4-х канальный вентиль	HWX20011491
19	Evaporateur à ailette (droit) • Fin coil (Right) • Flügelevaporator (Recht) • Evaporador de aleta (derecho) • Evaporador de aleta (destra) • Evaporador de alheta (certo) • Verdampfer met lamellen (rechts) • Пластинчатый испаритель (правильно)	HWX32006120013
27	Carte électronique PC4001 • PC4001 electric board • Elektronikarte PC4001 • Tarjeta electrónica PC4001 • Scheda elettronica PC4001 • Carta eletrónica PC4001 • Elektronische kaart PC4001 • Электронная PC4001	HWX95005310114
28	Contrôleur de phase • Phase controller • Phasenwächter • Controlador de fase • Sequenzimetro • Controlador de fase • Fase controller • Фазовый контроллер	HWX200036023
29	Contacteur KM1-KM2 • KM1-KM2 switch • Schütz KM1-KM2 • Contacteur KM1-KM2 • Contattore KM1-KM2 • Contator KM1-KM2 • Schakelaar KM1-KM2 • Контактор KM1-KM2	HWX20000360208
30	Relais de puissance K3 • Power relay K3 • Leistungsrelais K3 • Relé de potencia K3 • Relais di potenza K3 • Relé de potência K3 • Vermogensrelais K3 • Реле мощности K3	HWX20000360203
31	Contacteur KM5 • KM5 switch • Schütz KM5 • Contacteur KM5 • Contattore KM5 • Contator KM5 • Schakelaar KM5 • Контактор KM5	HWX20000360207
32	Contacteur de puissance Q • Q Power switch • Leistungsschütz Q • Contacteur de potencia Q • Contattore di potenza Q • Contator de potência Q • Vermogensschakelaar Q • Контактор мощности Q	HWX20003680
33	Bornier de raccordement • Connection terminal block • Anschlussklemme • Regleta de bornes de conexión • Morsettiere di collegamento • Terminal de ligação • Aansluitblok • Соединительная коробка	HWX20000390218
35	Filtre Ø9.7 -Ø9.7 • Filter Ø9.7 -Ø9.7 • Filter Ø9.7 -Ø9.7 • Filtrar Ø9.7 -Ø9.7 • Filtro Ø9.7 -Ø9.7 • Filtro Ø9.7 -Ø9.7 • Filter Ø9.7 -Ø9.7 • Фильтр Ø9.7 -Ø9.7	HWX20041444
36	Détendeur électronique • Electronic expansion valve • Elektronischer Sensor • Descompresor electrónico • Descompresor electrónico • Regulador electrónico • Elektronische drukregelaar • Электронный редуктор	HWX20000140401
37	Pressostat basse pression • Low pressure switch • Niedrigdruckregler • Presostato baja presión • Presostato baja presión • Pressostato baixa pressão • Lagedrukschakelaar • Прессостат низкого давления	HWX20003603
38	Valve Schrader 90mm 1/2" • Schrader 90mm 1/2" • Schrader 90mm 1/2" • Schrader 90mm 1/2" • Schrader 90mm 1/2" • Schrader 90mm 1/2" • Schrader 90mm 1/2" • Шрейдер 90мм 1/2"	HWX20000140153
39	Valve Schrader 40mm 1/2" • Schrader 40mm 1/2" • Schrader 40mm 1/2" • Schrader 40mm 1/2" • Schrader 40mm 1/2" • Schrader 40mm 1/2" • Schrader 40mm 1/2" • Шрейдер 40мм 1/2"	HWX20000140150
40	Pressostat haute pression • High pressure switch • Hochdruckregler • Presostato de alta presión • Presostato de alta presión • Pressostato alta pressão • Hogedrukschakelaar • Прессостат высокого давления	HWX20013605
41	Détecteur de débit d'eau • Flow switch • Sensor des Wasserdurchsatzes • Detector del caudal de agua • Detector del caudal de agua • Detector de débito de água • waterdebit detector • Детектор пропускной способности	HWX200036005
42	DZ200 Rallonge 20m • DZ200 20m Extension cable • DZ200 Verlängerung 20 m • DZ200 Alargador de 20 m • DZ200 Prolunga 20m • DZ200 Extensão 20m • DZ200 verlengsnoer 20 m • DZ200 Удлинитель 20 м	HWX20003447
43	Contrôleur DZ200 • DZ200 controller • Regler DZ200 • Controlador DZ200 • Controller DZ200 • Controlador DZ200 • Regelaar DZ200 • Контроллер DZ200	HWX95005310193

Pompe à chaleur

Heat pump

HCH SERIES HEAT PUMP - REF: HCHVAS95



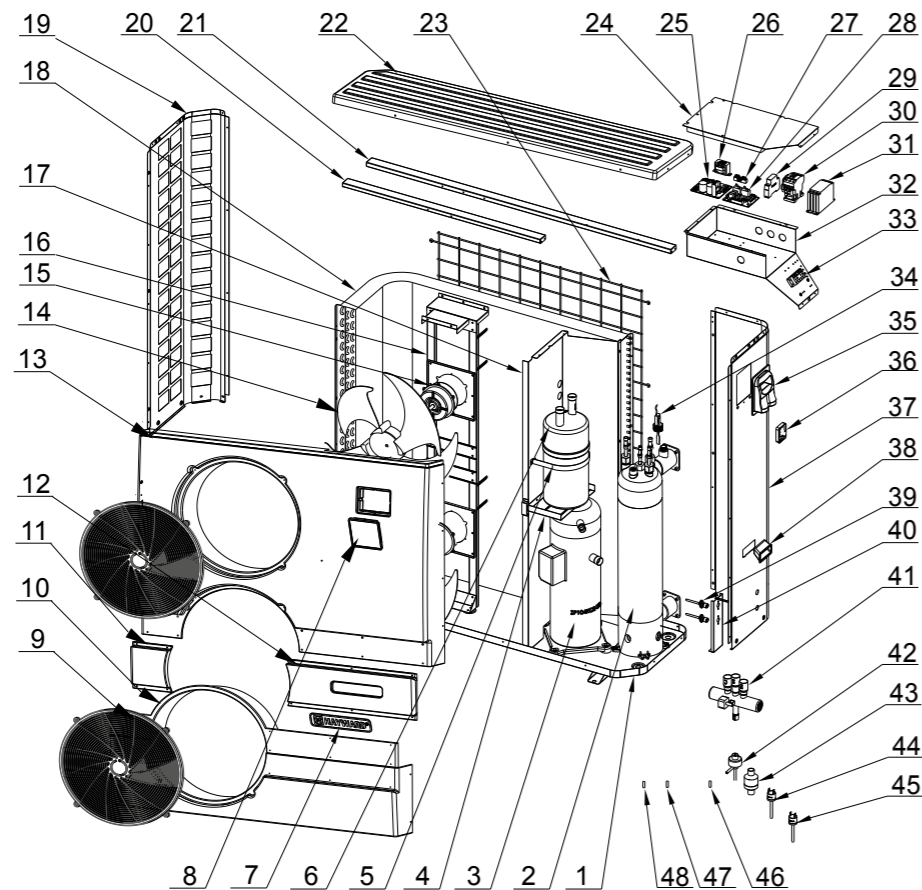
N°	DESCRIPTION ⁽¹⁾	REF/ PART No.
2	Compresseur • Compressor • Kompressor • Compresor • Compresor • Compressor • Compressor • Компрессор	HWX20000110120
4	Pressure Gauge • Manomètre • Manometer • Manómetro • Manometro • Manometer • Manómetro • Манометр	HWX20000280004
12	Evaporateur à ailette (gauche) • Fin coil (Left) • Flügelevaporator (links) • Evaporador de aleta (izquierda) • Evaporador de aleta (sinistra) • Evaporador de alheta (esquerda) • Verdampfer met lamellen (links) • Пластинчатый испаритель (слева)	HWX35007120013
15	Moteur ventilateur • Fan motor • Gebläsemotor • Motor ventilador • Motor ventilador • Motor ventilador • Ventilatormotor • Мотор вентилятора	HWX20000330154
17	Evaporateur à ailette (droit) • Fin coil (Right) • Flügelevaporator (Recht) • Evaporador de aleta (derecho) • Evaporador de aleta (destra) • Evaporador de alheta (certo) • Verdampfer met lamellen (rechts) • Пластинчатый испаритель (правильно)	HWX35007120012
25	Condenseur Titane PVC • PVC-Titanium condenser • Titan-Kondensator PVC • Condensador de titanio PVC • Condensador de titanio PVC • Condensador Titane PVC • Titanium PVC condenser • Охладитель из ПВХ Титане	HWX32007120003
26	Réservoir de liquide • Liquid tank • Flüssigkeitstank • Depósito de líquido • Serbatoio di liquido • Depósito de líquido • Vloeistofvat • Резервуар для жидкости	HWX35141402
27	Pressostat basse pression • Low pressure switch • Niedrigdruckregler • Presostato baja presión • Presostato baja presión • Presostato baixa pressão • Lagedrukschakelaar • Прессостат низкого давления	HWX20003603
28	Pressostat haute pression • High pressure switch • Hochdruckregler • Presostato de alta presión • Presostato de alta presión • Presostato alta pressão • Hogedrukschakelaar • Прессостат высокого давления	HWX20013605
29	Valve Schrader 90mm 1/2" • Schrader 90mm 1/2" • Schrader 90mm 1/2" • Schrader 90mm 1/2" • Schrader 90mm 1/2" • Schrader 90mm 1/2" • Шрейдер 90mm 1/2"	HWX20000140153
30	Valve Schrader 40mm 1/2" • Schrader 40mm 1/2" • Schrader 40mm 1/2" • Schrader 40mm 1/2" • Schrader 40mm 1/2" • Schrader 40mm 1/2" • Шрейдер 40mm 1/2"	HWX20000140150
31	Filtre • Filter • Filter • Filtrar • Filtro • Filtro • Filter • Фильтр	HWX20041455
32	Vanne 4 voies • 4 ways valve • 4-Wege-Ventil • Válvula 4 vías • Válvula 4 vías • Válvula de 4 vías • 4-wegskraan • 4-х канальный вентиль	HWX20011488
33	Manchon • Sleeve • Muffe • Manguito • Manicotto • Manga • Mof • Раструб	HWX20021443
34	T de raccordement • Connection T • T-Anschluss • T de conexión • Raccordo a T • T de ligação • T-koppelstuk • T-соединение	HWX20001449
35	Y de raccordement • Connection Y • Y-Anschluss • Y de conexión • Raccordo a Y • Y de ligação • Y-koppelstuk • Y-соединение	HWX20021441
36	Détendeur électronique • Electronic expansion valve • Elektronischer Sensor • Descompresor electrónico • Descompresor electrónico • Regulador electrónico • Elektronische drukregelaar • Электронный редуктор	HWX20000140338
37	Détecteur de débit d'eau • Flow switch • Sensor des Wasserdurchsatzes • Detector del caudal de agua • Detector del caudal de agua • Detector de débito de água • waterdebit detector • Детектор пропускной способности	HWX200036005
39	Contrôleur de phase • Phase controller • Phasenwächter • Controlador de fase • Sequenzimetro • Controlador de fase • Fase controller • Фазовый контроллер	HWX200036023
40	Contacteur KM1-KM2 • KM1-KM2 switch • Schütz KM1-KM2 • Contactor KM1-KM2 • Contattore KM1-KM2 • Contator KM1-KM2 • Schakelaar KM1-KM2 • Контактор KM1-KM2	HWX20000360209
41	Carte électronique PC4001 • PC4001 electric board • Elektronikkarte PC4001 • Tarjeta electrónica PC4001 • Scheda elettronica PC4001 • Carta eletrónica PC4001 • Elektronische kaart PC4001 • Электронная карта PC4001	HWX95005310114
42	Contacteur de puissance Q • Q Power switch • Leistungsschütz Q • Contactor de potencia Q • Contattore di potenza Q • Contator de potência Q • Vermogensschakelaar Q • Контактор мощности Q	HWX20003682
43	Contacteur KM3-KM5 • KM3-KM5 switch • Schütz KM3-KM5 • Contactor KM3-KM5 • Contattore KM3-KM5 • Contator KM3-KM5 • Schakelaar KM3-KM5 • Контактор KM3-KM5	HWX20000360207
44	Bornier de raccordement • Connection terminal block • Anschlussklemme • Regleta de bornes de conexión • Morsettiere di collegamento • Terminal de ligação • Aansluitblok • Соединительная коробка	HWX20000390218
45	DZ200 Rallonge 20m • DZ200 20m Extension cable • DZ200 Verlängerung 20 m • DZ200 Alargador de 20 m • DZ200 Prolunga 20m • DZ200 Extensão 20m • DZ200 verlengsoer 20 m • DZ200 Удлинитель 20 м	HWX20003447
46	Contrôleur DZ200 • DZ200 controller • Regler DZ200 • Controlador DZ200 • Controller DZ200 • Controlador DZ200 • Regelaar DZ200 • Контроллер DZ200	HWX95005310193

Pompe à chaleur

Heat Pump

ENERGYLINE PRO TOUTE SAISON

ALL SEASON ENP10TAS



N°	DESCRIPTION (1)	REF./ PART No.
1	Fond • Bottom panel • Boden • Fondo • Fondo • Fundo • Achtergrond • Дно	HWX32005210049
2	Condenseur Titane PVC • PVC-Titanium condenser • Titan-Kondensator PVC • Condensador de titanio PVC • Condensador de titanio PVC • Condensador Titane PVC • Titatium PVC condenser • Охладитель из ПВХ Titane	HWX32005120009
3	Compresseur • Compressor • Kompressor • Compresor • Compresor • Compressor • Compressor • Компрессор	HWX20000110153
4	Support Réservoir liquide • Liquid tank support • Flüssigkeitstankhalterung • Soporte depósito líquido • Supporto Serbatoio liquido • Suporte de reservatório líquido • Steun waterreservoir • Плита резервуара для жидкости	HWX32027210011
5	Flange Clamps • Collier de serrage • Spanning • Abrazadera • Fascetta di fassaggio • Klembeugel • Colar serrage • Хомут	HWX32027210013
6	Réservoir de liquide • Liquid tank • Flüssigkeitstank • Depósito de líquido • Serbatoio di liquido • Depósito de líquido • Vloeistofvat • Резервуар для жидкости	HWX35141402
7	Logo Hayward® • Hayward® Logo • Logo de Hayward® • Logo di Hayward® • Logotipo de Hayward® • Hayward® logo • оготип Хейворда®	HWX20000230596
8	Régulateur LED • LED controller • LED-Regler • Regulador LED • Regulador LED • Regulador LED • LED regelaar • Регулятор с жидкокристаллическим дисплеем	HWX95005010018
9	Grille de protection ventilateur • Fan protection grille • Schutzgitter des Gebläses • Rejilla de protección del ventilador • Rejilla de protección del ventilador • Greilha de protecção do ventilador • Beschermrooster ventilator • Защитная сетка вентилятора	HWX32020220001
10	Panneau avant inférieur • Lower front panel • Untere Frontplatte • Panel delantero inferior • Pannelo anteriore inferiore • Painel frontal inferior • Paneel voorkant onder • Нижняя передняя панель	HWX32005220002
11	Panneau décoratif gauche • Left decorative panel • Dekorative Platte links • Panel decorativo izquierdo • Pannelo decorativo sinistro • Painel decorativo esquerdo • Decoratief paneel links • Левая декоративная панель	HWX32005220005
12	Panneau décoratif droit • Right decorative panel • Dekorative Platte rechts • Panel decorativo derecho • Pannelo decorativo destro • Painel decorativo direito • Decoratief paneel rechts • Правая декоративная панель	HWX32005220004
13	Panneau avant supérieur • Upper front panel • Obere Frontplatte • Panel delantero superior • Pannelo anteriore superiore • Painel frontal superior • Paneel voorkant boven • Верхняя передняя панель	HWX32005220001
14	Helice ventilateur • Fan blade • Gebläsepropeller • Hélice ventilador • Hélice ventilador • Hélice ventilador • Ventilatorschroef • Винт вентилятора	HWX20000270025

N°	DESCRIPTION (1)	REF./ PART No.
15	Moteur ventilateur • Fan motor • Gebläsemotor • Motor ventilador • Motor ventilador • Motor ventilador • Ventilatormotor • Мотор вентилятора	HWX20000330361
16	Support Moteur • Fan motor bracket • Motorträger • Soporte Motor • Soporte Motor • Soporte Motor • Motorsteun • Опора Мотора	HWX32005210058
17	Panneau de séparation • Center wall • Trennplatte • Panel de separación • Panel de separación • Painel de separação • Scheidingspaneel • Разделительная панель	HWX32005210065
18	Evaporateur à ailette • Fin coil • Flügeleparator • Evaporador de aleta • Evaporador de aleta • Evaporador de alheta • Verdamper met lamellen • Пластинчатый испаритель	HWX32005120008
19	Panneau gauche • Left panel • Linke Platte • Panel izquierda • Pannelo sinistra • Painel esquerdo • Linkerpaneel • Левая панель	HWX32005210051
20	Raidisseur Avant • Front stiffener • Vorne Versteifung • Refuerzo frontal • Riforno anteriore • Reforço frontal • Voorzijde verstijver • Передняя опора	HWX32005220055
21	Raidisseur Arrière • Rear stiffener • Rück Versteifung • Refuerzo trasero • Riforno posteriore • Reforço traseiro • Achterzijde verstijver • Задняя жесткости	HWX32005210056
22	Panneau supérieur • Top cover • Obere Platte • Panel superior • Panel superior • Painel superior • Bovenpaneel • Верхняя панель	HWX32005220003
23	Grille évaporateur • Evaporator grid • Grid-Verdampfer • Evaporador cuadrícula • Griglia evaporatore • Grade evaporador • Grid verdampfer • Сетка испаритель	HWX32005210063
24	Panneau de protection électrique • Electrical box cover • Stromschutzplatte • Panel de protección eléctrica • Panel de protección eléctrica • Painel de protecção eléctrica • Elektrisch beschermpaneel • Защитная панель электроотсека	HWX32005210053
25	Inverter PCB • Carte Inverter • Inverter PCB • Inverter PCB • Inverter PCB • Inverter PCB • Inverter PCB • Inverter PCB	HWX950531024107
26	Transformateur 230V~/12V~ • Transformer 230V~/12V~ • Transformator 230V~/12V~ • Transformador 230V~/12V~ • Transformador 230V~/12V~ • Transformador 230V~/12V~ • Transformador 230V~/12V~ • Трансформатор 230 В~/12 В~	HWX200037003
27	Bornier 2 connexions • Terminal block 2 connections • Klemmleiste mit 2 Anschlüssen • Borna de 2 conexiones • Borna de 2 conexiones • Terminal de 2 ligações • Aansluitblok met 2 aansluitingen • Клеммная колодка на 2 контактов	HWX20003909
28	Carte électronique • PCB board • Elektronikarte • Tarjeta electrónica • Tarjeta electrónica • Placa electrónica • PCB • Электронная плата	HWX950531014516
29	Contrôleur de phase • Phase controller • Phasenwächter • Controlador de fase • Sequenzimetro • Controlador de fase • Fase controller • Фазовый контроллер	HWX200036023
30	Contacteur Compresseur • Compressor contactor • Kompressorschütz • Contactor Compresor • Contattore Compresore • Contactor Compressor • Contactor Compressor • Контактор Компрессора	HWX20000360209
31	Smart Starter • Smart Starter • Smart Starter • Smart Starter • Smart Starter • Smart Starter • Smart Starter • Интеллектуальная система запуска	HWX20000360092
32	Coffret électrique • Electrical box cover • Stromkasten • Armario eléctrico • Armario eléctrico • Bastidor eléctrico • Elektrische behuizing • Электрощкаф	HWX32005210054
33	Bornier 5 connexions • Terminal block 5 connections • Klemmleiste mit 5 Anschlüssen • Borna de 5 conexiones • Borna de 5 conexiones • Terminal de 5 ligações • Aansluitblok met 5 aansluitingen • Клеммная колодка на 5 контактов	HWX20000390180
34	Détecteur de débit d'eau • Flow switch • Sensor des Wasserdurchsatzes • Detector del caudal de agua • Detector del caudal de agua • Detector de débito de água • waterdebit detector • Детектор пропускной способности	HWX200036005
35	Trappe d'accès électrique • Protection cover • Stromanschlussklappe • Trampilla de acceso eléctrico • Trampilla de acceso eléctrico • Alçarpão de acesso eléctrico • Elektrisch toegangsluik • Лючок доступа к электроконтактам	HWX32009220032
37	Panneau droit • Right panel • Rechte Platte • Panel derecho • Pannelo destro • Painel direito • Rechterpaneel • Правая панель	HWX32020210002
38	Handle • Poignée • Handgriff • Maneta • Maniglia • Handgreep • Punhado • Рычаг	HWX32008220037
39	Valve Schrader • Schrader • Schrader • Schrader • Schrader • Schrader • Schrader • Шрейдер	HWX20000140353
40	Plaque Support prises HP/BP • HP/LP terminal support plate • Trägerplatte Hochdruck-/Niederdruckanschluss • Placa soporte tomas AP/BP • Piastra Supporto prese HP/LP • Placa de suporte tomadas HP/LP • Steunplaat stekkers HS/LS • Опорная плата вводов высокого/низкого давления	HWX32019210038
41	Vanne 4 voies • 4 ways valve • 4-Wege-Ventil • Válvula 4 vías • Válvula 4 vías • Válvula de 4 vías • 4-wegskraan • 4-х канальный вентиль	HWX20011488
42	Détendeur électronique • Electronic expansion valve • Elektronischer Sensor • Descompresor electrónico • Descompresor electrónico • Regulador electrónico • Elektronische drukregelaar • Электронный редуктор	HWX20000140338
43	Filtre • Filter • Filter • Filtrar • Filtro • Filtro • Filter • Фильтр	HWX20041455
44	Pressostat basse pression • Low pressure switch • Niedrigdruckregler • Presostato baja presión • Presostato baja presión • Pressóstato baixa pressão • Lagedrukschakelaar • Прессостат низкого давления	HWX20003603
45	Pressostat haute pression • High pressure switch • Hochdruckregler • Presostato de alta presión • Presostato de alta presión • Pressóstato alta pressão • Hogedrukschakelaar • Прессостат высокого давления	HWX20013605
46/47	Sonde température • Temperature sensor • Temperatursensor • Sonda de temperatura • Sonda de temperatura • Sonda temperatura • Temperatuursensor • датчик температуры	HWX20003242
48	Sonde température (50kΩ) • Temperature sensor (50kΩ) • Temperatursensor (50kΩ) • Sonda de temperatura (50kΩ) • Sonda de temperatura (50kΩ) • Sonda temperatura (50kΩ) • Temperatuursensor (50kΩ) • датчик температуры (50kΩ)	HWX20003223
/	Couverture d'hivernage • Winter cover • Winterabdeckung • Cubierta de invierno • Copertura invernale • Cobertura de inverno • Winterkleed • зимний брезентовый чехол	HWX20000240208
/	Résistance de carter • Crankcase heater • Ölsumpheizung • Resistencia del cárter • Resistenza carter • Aquecedor do cárter • Carterverwarming • нагреватель картера	HWX20003214

Note

A series of horizontal dotted lines for writing notes.