

S2

SMALL PUMP FOR OUTSTANDING RESULTS!



CLASSIC LINE

3 YEARS OF WARRANTY

- ➔ Exceptional performance, one of the best in its category
- ➔ Ideal for small pools and above-ground pools up to 68 m³
- ➔ Prefilter size: 1.1L



Easy access to the pre-filter through the quarter turn cover



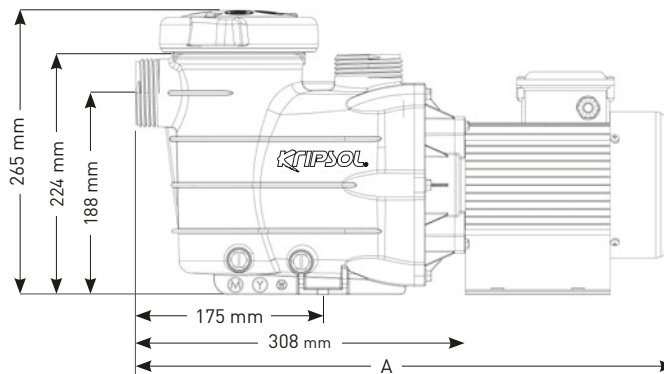
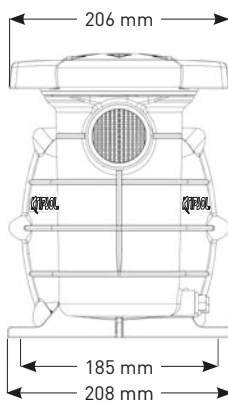
Drainage caps to make wintering easier



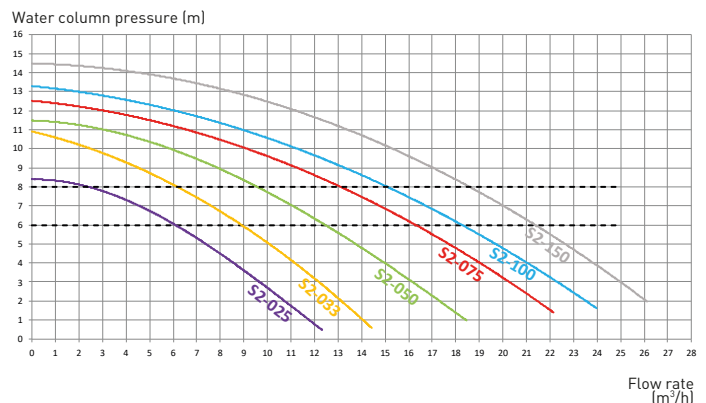
50 mm outlet and ø 32/38 mm fluted adapters

	Code	Type HP	P2 (W) ¹	P1 (W) ²	Amps (A) ³	Total Length A (mm)	Flow rate (m ³ /h)*	Weight (kg)	qty/pallet	
SINGLE PHASE	S2-025ME2	0.25	235	360	1.6	504	6.5	7.9	32	IE2 ✓
	S2-033ME2	0.33	330	460	2	504	6.26	7.9	32	IE2 ✓
	S2-050ME2	0.5	440	580	2.6	504	9.71	8.8	32	IE2 ✓
	S2-075ME2	0.75	585	730	3.2	504	13	9.8	32	IE2 ✓
	S2-100ME2	1	690	860	3.8	504	15	9.8	32	IE2 ✓
	S2-150ME2	1.5	860	1050	4.6	540	18.75	12.3	32	IE2 ✓

¹ Nominal power of the motor P2 (W) ² P1 Max (W) (Maximum consumption of the pump) ³ Amps at P1 Max (A)
 *8 m water column pressure (Please note that 0.25 HP info it is 6 mcw.) M.O.Q. : 1



Technical Specifications	
Max. water temp.	35°C
Adapter	50 and 32/38 mm
Mechanical seal	AISI 304, suitable for salt water
Motor specifications	Class F, IP55, 50Hz, 2 Poles
Housing/impeller/strainer/lid	PP+GF/PP0(Noryl®) / BRASS/PC



KRIPSOL