

# PowerFlo II

YEARS OF WARRANTY



## SMALL PUMP FOR OUTSTANDING RESULTS!

- Pump designed for small pools and/or above ground pools
- Exceptional performance, one of the best in its category
- Recommended for pools up to 68 m<sup>3</sup>\*

\* Calculation based on 6 hours turnover



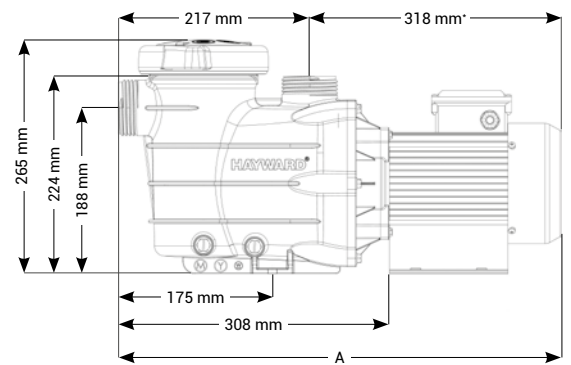
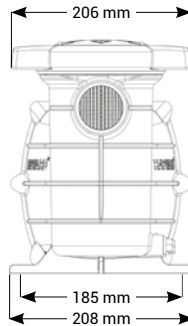
Easy access to the pre-filter through the quarter turn cover



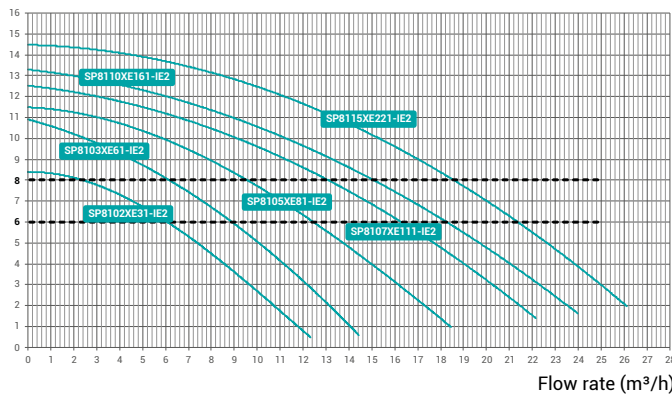
Drainage caps to make wintering easier



50 mm outlet or ø 32/38 mm fluted adapters



Column of water (m)



### Technical Specifications

Max. water temp.	35°C
Adapter	32/38 mm
Mechanical seal	AISI 304S, compatible with salt treatment (salt chlorinator)
Motor specifications	Class F, IP55, 50 Hz, 2 Poles
Housing/impeller/strainer/lid	PP+GF/PPO(Noryl®)+BRASS/PC
Prefilter basket size	1.1 L

Type HP	Total length A (mm)	Weight (kg)	Adaptors (mm)	Flow rate*	P1 Max (W) (Maximum consumption of the pump)	Nominal power of the motor P2 (W)	Amps at P1 Max (A)	Quantity per pallet	Item		
POWERFLO II	0.25	504	7.9	50 and 32/38	6.15 m <sup>3</sup> /h**	360	235	1.6	32	SP8102XE31E2	IE2 ✓
	0.33	504	7.9	50 and 32/38	6.26 m <sup>3</sup> /h	460	330	2	32	SP8103XE61E2	IE2 ✓
	0.5	504	8.8	50 and 32/38	9.71 m <sup>3</sup> /h	580	440	2.6	32	SP8105XE81E2	IE2 ✓
	3/4	504	9.8	50 and 32/38	13 m <sup>3</sup> /h	730	585	3.2	32	SP8107XE111E2	IE2 ✓
	1	504	9.8	50 and 32/38	15 m <sup>3</sup> /h	860	690	3.8	32	SP8110XE161E2	IE2 ✓
	1.5	540	12.3	50 and 32/38	18.75 m <sup>3</sup> /h	1050	860	4.6	32	SP8115XE221E2	IE2 ✓

\* At 8 m water column pressure  
\*\* At 6 m water column pressure