

# KRIPSOL®



# CATALOG

THE PROFESSIONAL SOLUTION FOR RESIDENTIAL POOLS



PUMPS



FILTERS



WHITE GOODS  
AND LIGHTING



CLEANERS



HEAT  
PUMPS



SALT  
CHLORINATOR



POOL SURROUNDING  
EQUIPMENT





# PREFACE

*My Fellow Professionals,*

*It is with pleasure that I introduce our Kripsol® 2024 catalogue for the upcoming season. The health context of the pandemic has made all industry stakeholders aware of the need to support local production capacity, to be responsive and continue to serve our customers in all circumstances. That is our strength.*

*I am delighted to remind you that our products are designed for the European market, and that our factories are located in Europe.*

*Kripsol® brand products have been on the market for decades, being recognized as high end, best-in-class reliable and by its simplicity simple of installation and use. Most specifically the brand's expertise in filtration is clearly identified by all Pool Professionals in Europe.. We have been designing and manufacturing filters that function in perfect harmony with our pumps for over 30 years.*

*For this new season, we wanted to present you a comprehensive range of filter technologies. As a result, we are proud to introduce the new S1 Series laminated filter range..*

*Also, for this 2024 season our bobbin wound filters range will feature a transparent lid. Please note that their name has also changed and it is now called BK1 Series.*

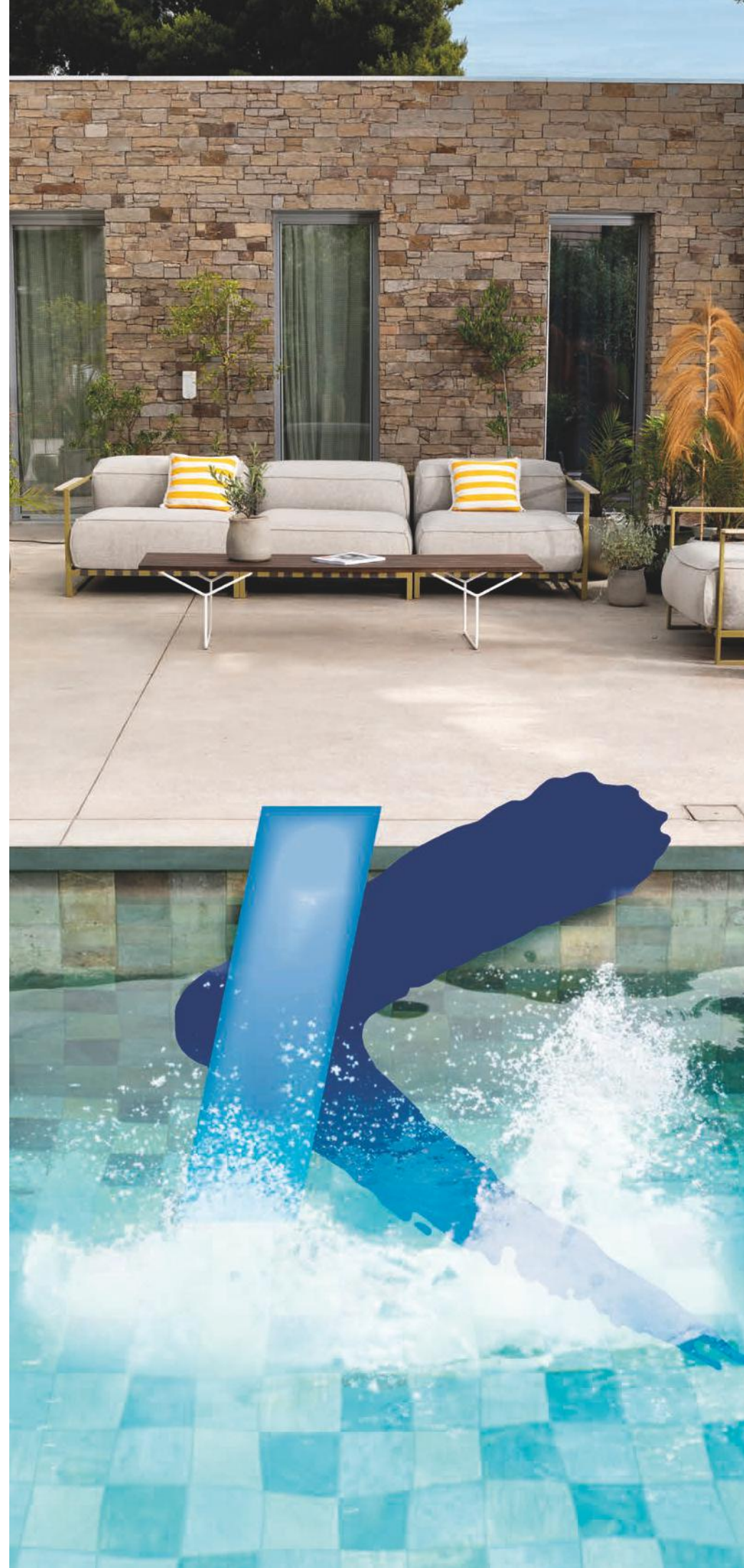
*Our range of pumps is still as exhaustive and reliable as ever. Discover or rediscover our carefully dedicated range: a simple, convenient selection, offering unbeatable quality and value.*

*You're bound to find the product you need in our catalogue, regardless of your customers' configuration, needs, and budget. Clearly, our constant priority is to satisfy our customers' expectations.*

*We will be delighted to have the opportunity to personally introduce to you our range of products and innovations at the upcoming trade shows.*

Fernando Blasco  
VP, General Manager Europe & RoW

SPARE PARTS CATALOG  
**AVAILABLE ON OUR WEBSITE!**



KRIPSOL®  
02

PUMPS  
ELECTRICAL  
BOXES  
12

FILTERS  
40

WHITE GOODS  
AND LIGHTS  
52

CLEANERS  
64

HEATING  
66

SANITIZATION  
70

POOL SURROUNDING  
EQUIPMENT  
78

PVC ACCESSORIES  
92

CONDITIONS  
OF SALE  
98

# SALES ORGANIZATION

KRIPSOL® is present throughout the European territory with a strong commercial and technical team of 50 dedicated people.

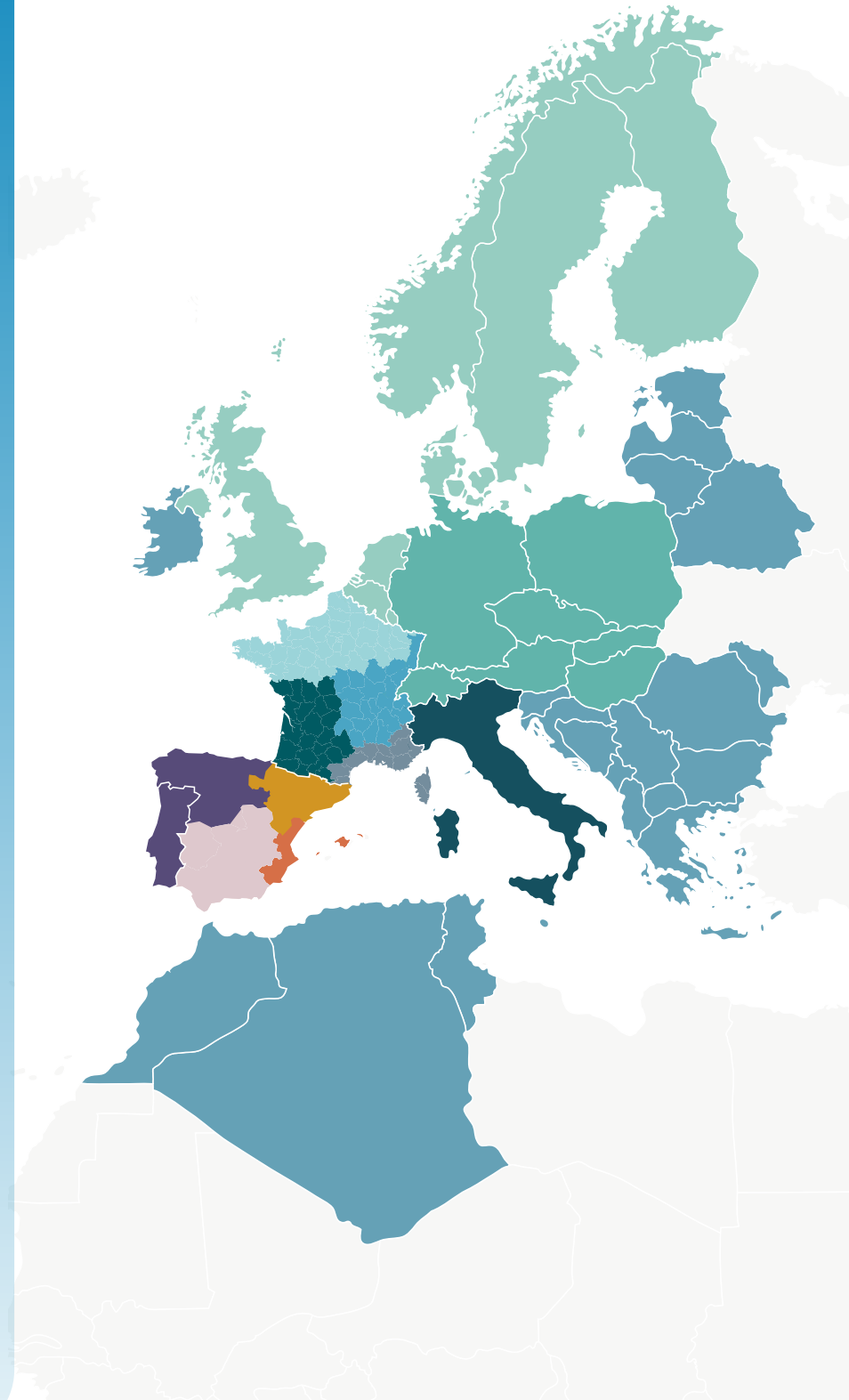
**JOIN US AND FOLLOW US ON OUR SOCIAL NETWORK**



**TO CONTACT OUR CUSTOMER SALES SERVICE:**

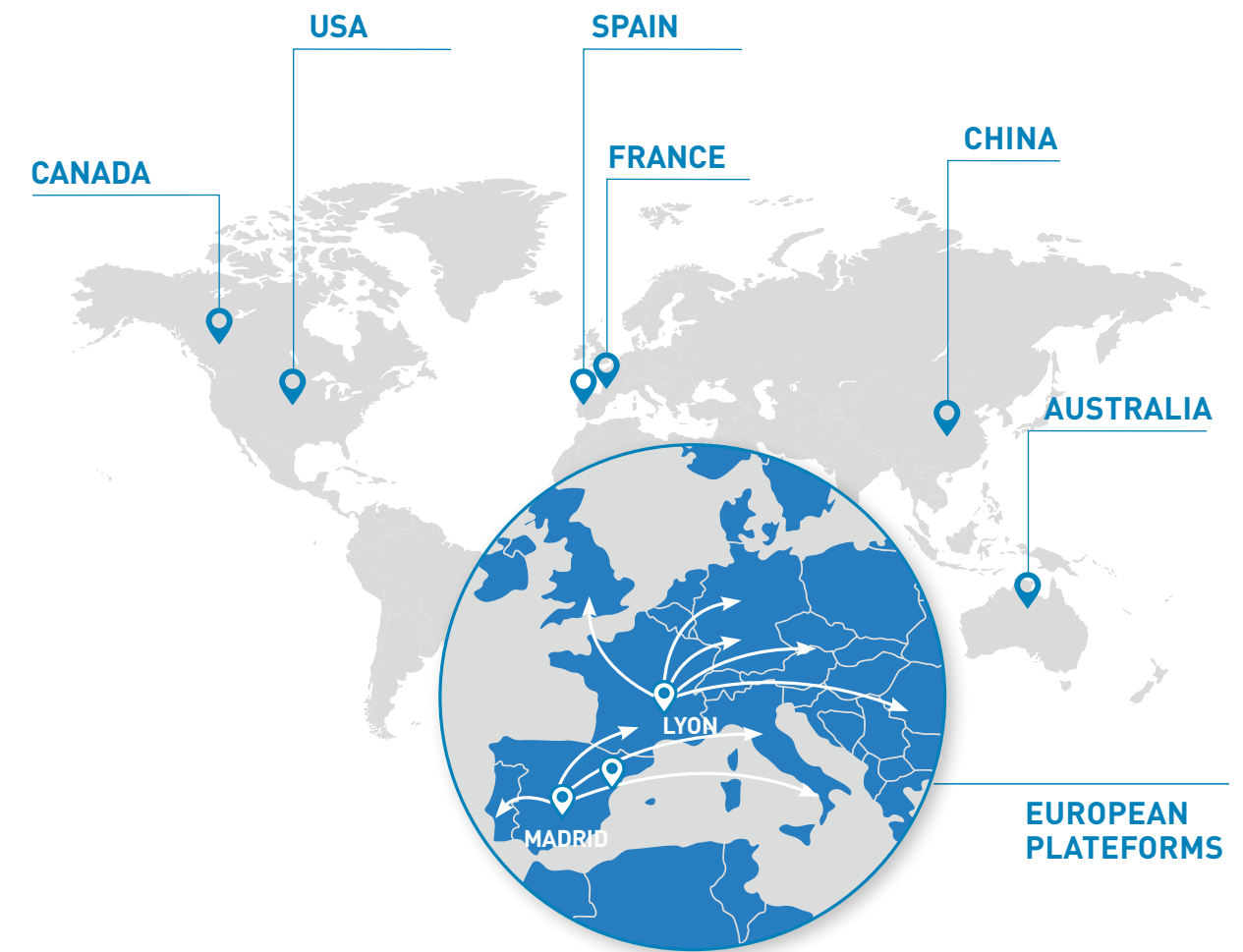


[eu-customerservice@hayward.com](mailto:eu-customerservice@hayward.com)



# KRIPSOL® A GLOBAL PLAYER

A WORLDWIDE PRESENCE



TOP OF THE LINE, KRIPSOL® SERVICES AND PRO-LINE RANGE

**1 Complete equipment set:** variable speed pump, filter, salt chlorinator, cleaner and heat pump.

**2 More free time:** the comfort of a smart pool with the KLX Control System. Enjoy the summer to the fullest!

**3 Near to our clients:** manufacturing, sales network and after-sales service all in Europe.



# KRIPSOL®, THE PROFESSIONAL SOLUTION FOR RESIDENTIAL POOLS

TWO RANGES DESIGNED FOR POOL PROFESSIONALS AND TRADE



## PRO LINE

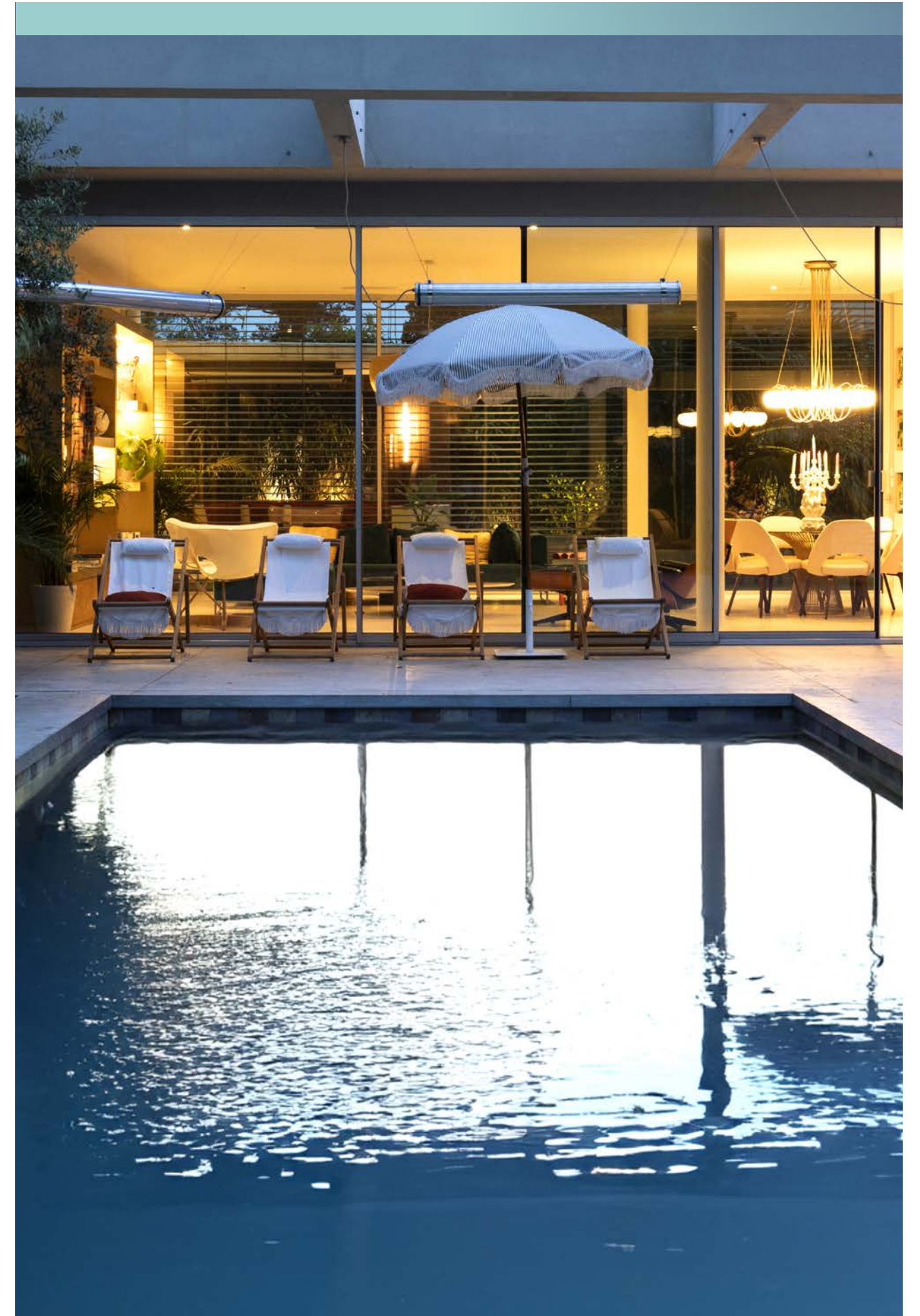
Get the best out of your pool with the **Pro-Line Range:**

- Latest technology
- High added value products
- Recommended for professionals

## CLASSIC LINE

More than 30 years of experience with **proven product performance and reliability.**

The best possible value for money for your pool equipment.





# OUR GLOBAL OFFER

Kripsol® provides a comprehensive and connected solution: a full range designed for pool professionals. Products that are designed to function individually, but above all to operate in collaboration with each other.

When **the pump KSE** is combined with the capacities of **the GV injected filter**, crystal-clear water is produced, and significant savings are made in water and electricity consumption. Our flat led projectors will illuminate your pool.

Besides this, connectivity of the **KLX Control System salt chlorinator** allows basic pool functions such as filtration or lighting to be controlled from a tablet or smartphone.

If the **I-Komfort full inverter heat pump** and the **Atlantis Evo electric cleaner** are added to this equipment, the pool can be used all year round and maintenance is far simpler.

**Kripsol® range, the strength of a global offer.**



# KRIPSOL®



PUMPS



ELECTRICAL CABINETS



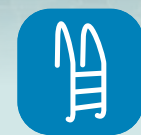
FILTERS



WHITE GOODS



LIGHTS



POOL SURROUNDING EQUIPMENT



WATER TREATMENT



CLEANER



HEAT PUMP

FILTRATION SYSTEMS  
THE STRENGTH OF A GLOBAL OFFER FOR

COMFORT EQUIPMENT  
RESIDENTIAL POOLS AND IN GROUND POOLS



# WEBSITE

Discover our website with an attractive design and new features:

Search engine • Product comparison • Articles for pool owners • FAQ

kripsol-pool.com



Join us on our website

## PRODUCTS

Discover all our offer by product families and our technologies.



## ONLINE CONFIGURATOR

Heat pump configurator available.



## IDEAS AND TIPS

All the latest trends, innovations, advice and tips to help you make your pool project a success.



## DOCUMENTATION

Access all the information on our products. (Catalogues, sell sheets, manuals, brochures).



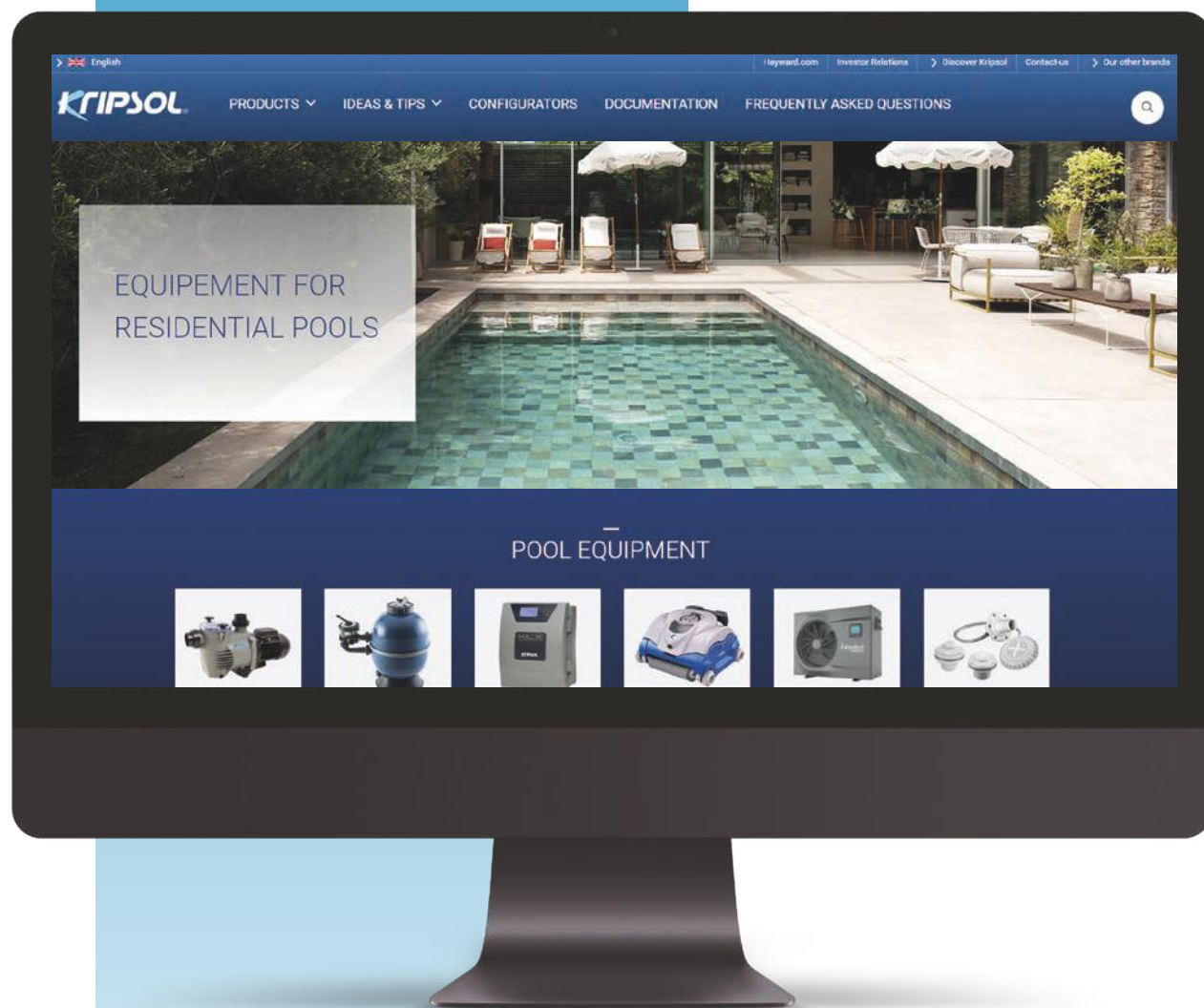
## SOCIAL NETWORKS

Discover our news, our product focus, our promotions...



## FAQ

Find all the answers to frequently asked questions by topic.





# DISCOVER OUR NOVELTIES 2024!

## POLYESTER LAMINATED S1 SERIES THE BEST ALTERNATIVE

### FILTER

New Polyester filter strengthened with glass fiber for even greater resistance



- Sand
- Laminated filter
- Residential up to 189 m³
- Side Version
- 4 skus from 10 to 32 m³/h
- Valve included
- Stability
- Resistant
- Bolted cover



# NEW DISCOVER OUR NEW TOOLS TO CHOOSE THE RIGHT FILTER AND PUMP!

## HOW TO CHOOSE THE RIGHT PUMP?

Please refer to the page 14



## HOW TO CHOOSE THE RIGHT FILTER?

Please refer to the page 40



## KLB NEW GENERATION SALT CHLORINATOR



### TREATMENT





# THE BEST PRODUCTS FOR SILENT POOL OPERATIONS

It is entirely true to say that today, the KS pump continues to be the pump with the best performance and least noise impact. We propose two models of these pumps, Evo and Original, each one with their own advantages. All our pumps have been designed to function in combination with Kripsol® filters in optimal operation.

The original KSE has an unmatched hydraulic system and is very hard-wearing. The KS Evo is the new, optimised version, even more efficient but equally robust and silent, applicable in the context of new installations and replacements (includes 50/63 mm unions).

Our range also includes variable speed KS EVO and KSE pumps, which provide you with total connectivity via the KLX Control System, and then the Ninfa NK and Ondina OK series for smaller pools. This section also includes blowers, electronic and electrical control panels, and accessories.



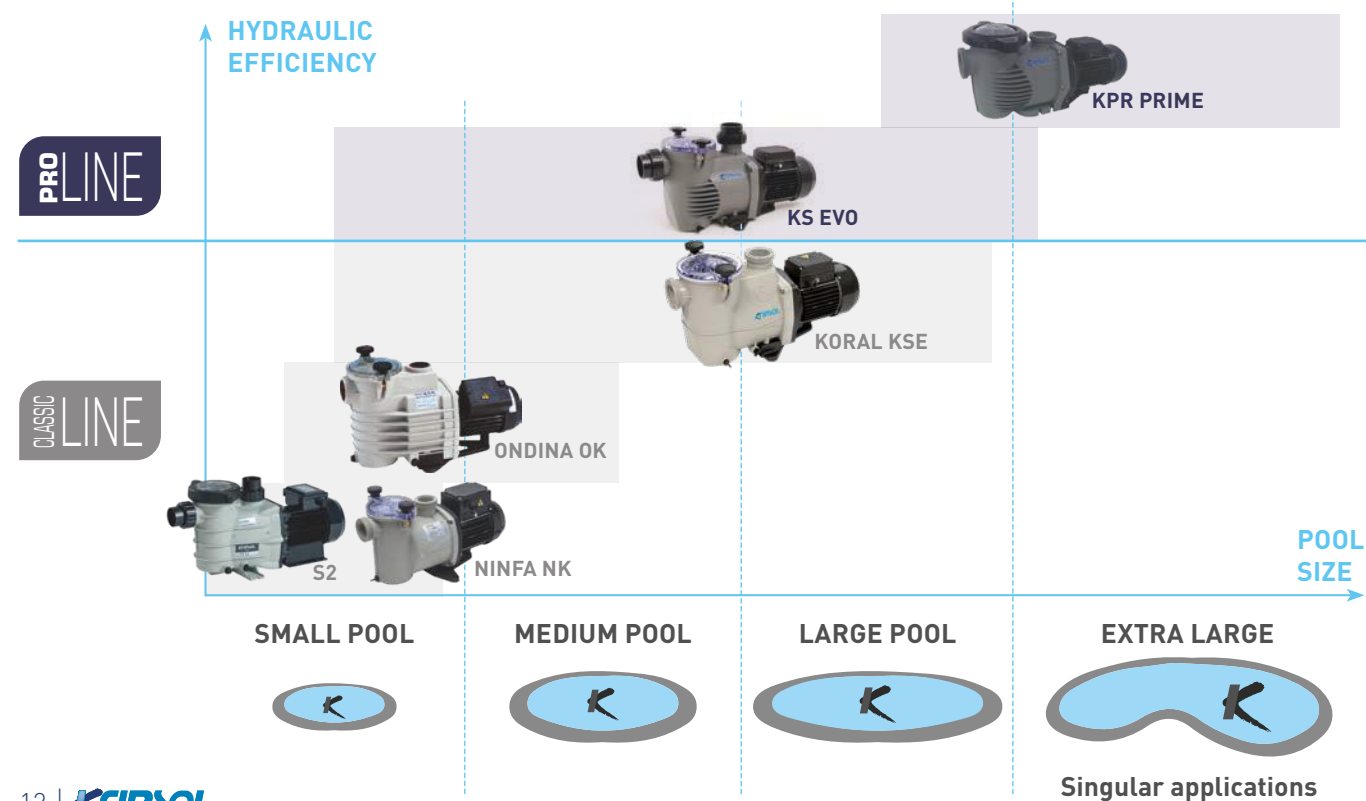
**WARNING** Please note that due to new regulations, we can no longer sell the three-phase models IE1 to European Union countries\*

\* List of European Union countries: Germany, Austria, Belgium, Bulgaria, Cyprus, Croatia, Denmark, Slovakia, Slovenia, Spain, Estonia, Finland, France, Greece, Hungary, Ireland, Italy, Latvia, Lithuania, Luxembourg, Malta, Netherlands, Poland, Portugal, Czech Republic, Romania, Sweden.



# Summary

PUMPS SEGMENTATION	14
WHY CHOOSE A KRIPSOL® VARIABLE SPEED PUMP?	16
KS EVO VS	18
KSE VS 150	19
ENERGY EFFICIENCY REGULATION	21
PRIME-KPR	22
KS EVO	23
KORAL-KSE	24
S2	25
ONDINA-OK	26
NINFA-NK	27
SMART RETROFIT KIT	28
LPRK SMART RETROFIT KIT	29
MPRK SMART RETROFIT KIT	29
NIGER-KNG	30
KARPA-KA	31
ELECTRICAL CABINETS	32
K-POWER	32
K-POWER CONNECT	36
ACCESSORIES	37



We are also including the electrical cabinets **K-Power** and **K-Power Connect** and their accessories in this chapter. Ensure you add the right finishing touch to your purchase of a pump and lights for your pool by supplementing them with an electrical panel. (they include 2 programmable timers for filtration and 1 programmable timer for lighting).



FIND THE SEGMENTATION OF ALL OUR PUMPS FOR A MORE GLOBAL AND EFFECTIVE VISION!





# HOW TO CHOOSE THE RIGHT PUMP?



## VARIABLE SPEED PUMPS

### KS EVO VS >



Residential Pool  
126 m<sup>3</sup>



Variable Speed  
600-3000 rpm



1.5 HP



Flow range  
21 @ 3000 rpm



Hydraulic Fittings  
ø 50 and ø 50 and 63mm  
depending on the models



Type of lid  
Moth



-



Prefilter size  
3.5L



Low



Permanent  
Magnet Motor

### KSE VS >



Residential Pool  
126 m<sup>3</sup>



Variable Speed  
600-3000 rpm



1.5 HP



Flow range  
21 @ 3000 rpm



Hydraulic Fittings  
ø 50 and ø 50 and 63mm  
depending on the models



Type of lid  
Moth



-



Prefilter size  
3.5L



Low



Permanent  
Magnet Motor



## STANDARD PUMPS

### KPR >



Residential Pool  
270 m<sup>3</sup>



Single Speed



2.5 - 3 HP 2.5 - 3.5 HP



Flow range  
30-45



Hydraulic Fittings  
ø 75mm



Type of lid  
Twist-Lock



Max head 2.5HP  
23 mcw



Prefilter size  
4.2L

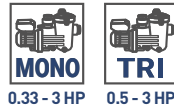
### KS EVO >



Residential Pool  
198 m<sup>3</sup>



Single Speed



0.33 - 3 HP 0.5 - 3 HP



Flow range  
4.8-33



Hydraulic Fittings  
≤ 1HP: ø 50mm  
> 1HP: ø 63mm



Type of lid  
Moth



Max head 1HP  
17.1 mcw



Prefilter size  
3.5L

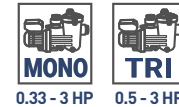
### KSE >



Residential Pool  
198 m<sup>3</sup>



Single Speed



0.33 - 3 HP 0.5 - 3 HP



Flow range  
4.8-29.5



Hydraulic Fittings  
≤ 1HP: ø 50mm  
> 1HP: ø 63mm



Type of lid  
Moth



Max head 1HP  
17.1 mcw



Prefilter size  
3.5L

### S2 >



Residential Pool  
68 m<sup>3</sup>



Single Speed



0.25 - 1.5 HP



Flow range  
4.7-17



Hydraulic Fittings  
ø 50 and adapter 32/38



Type of lid  
Screwed with handle



Max head 1HP  
15.5 mcw



Prefilter size  
1.1L

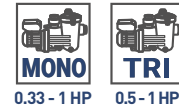
### ONDINA OK >



Residential Pool  
75 m<sup>3</sup>



Single Speed



0.33 - 1 HP 0.5 - 1 HP



Flow range  
7.0-17



Hydraulic Fittings  
ø 50 and adapter 32/38



Type of lid  
Moth



Max head 1HP  
14 mcw



Prefilter size  
1.75L

### NINFA NK >



In ground Pool  
35 m<sup>3</sup>



Single Speed



0.25 - 0.5 HP



Flow range  
4-7.5



Hydraulic Fittings  
≤ 1HP: ø 50mm  
> 1HP: ø 63mm



Type of lid  
Moth



Max head 0.5HP  
11 mcw



Prefilter size  
1.25L

### KNG >



For water features  
and spas



Single Speed



0.75 - 2 HP 0.75 - 2 HP



Flow range  
12-26



Hydraulic Fittings  
≤ 1HP: ø 50mm  
> 1HP: ø 63mm



-



Max head 1HP  
15 mcw



-



# WHY CHOOSE A KRIPSOL® VARIABLE SPEED PUMP?

**MORE FLEXIBLE:**  
A multitude of speeds to adapt to all the operating needs of your pool (backwashing, filtration...)



**KRIPSOL®  
VARIABLE SPEED  
PUMPS**

**PERFECT FILTRATION QUALITY AND FEWER CHEMICALS:**  
Low speed filtration improves water quality and reduces the need for chemicals.

**REDUCED ELECTRICITY CONSUMPTION:**  
Low-speed operation with permanent magnet motors. The combination that saves up to 85%\* of electricity!



**KRIPSOL®  
VARIABLE SPEED  
PUMPS**

**QUIETER OPERATION:**  
Quieter filtration solution with the ability to adjust pump speed and operate at slow speed.

**PERMANENT MAGNET MOTOR**

**ENVIRONMENTAL FRIENDLINESS:**

- Do not require any additional power to generate the magnetic field.
- Lower losses compared to other motor types, resulting in reduced energy consumption and lower greenhouse gas emissions.

**HIGH EFFICIENCY:**

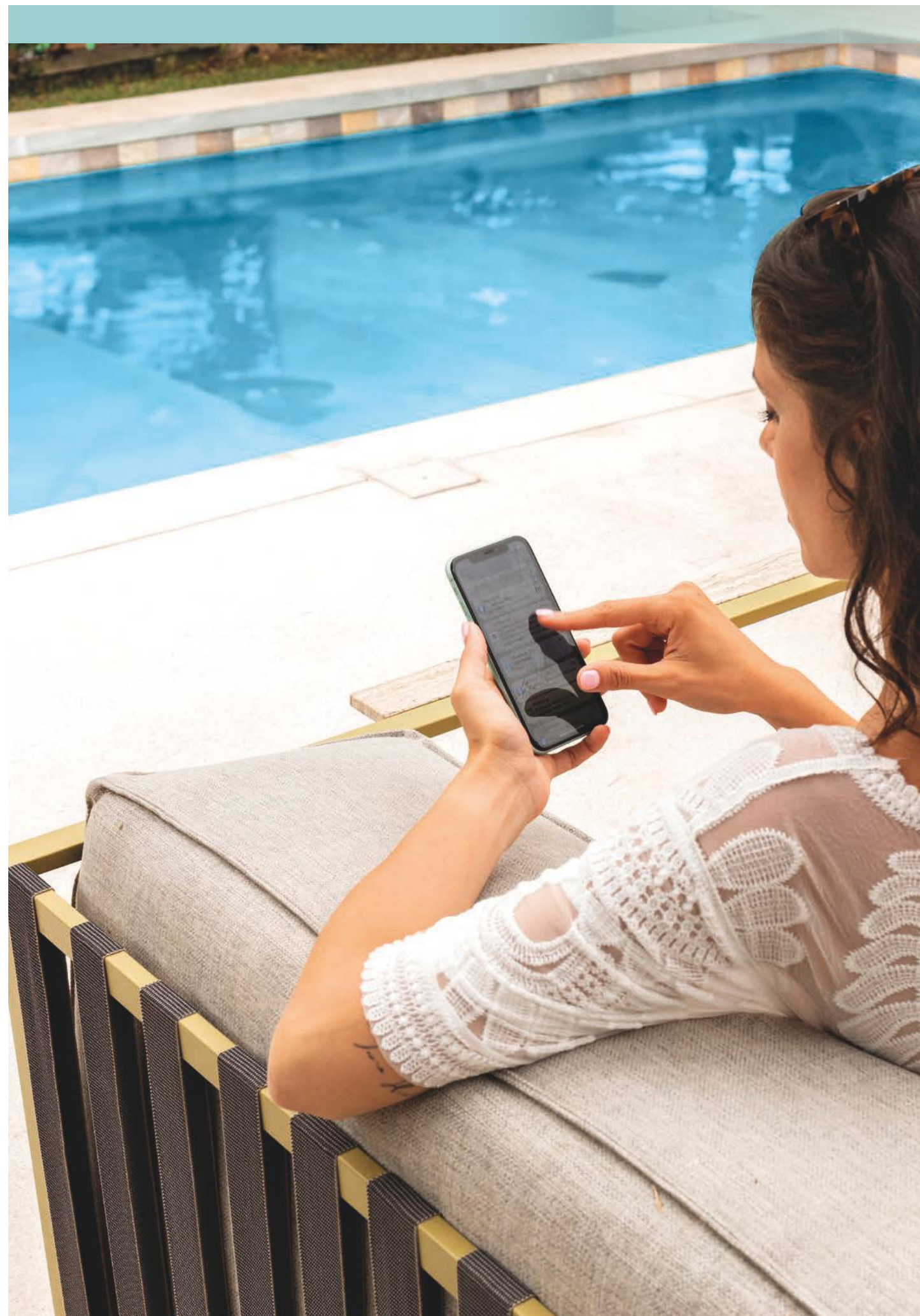
- They can convert a high percentage of the electrical input power into mechanical output power, resulting in reduced energy consumption and lower operating costs.

**HIGHLY RELIABLE AND BETTER LIFESPAN:**

- Lower motor temperatures that extends the life of the mechanical parts.

YOUR KRIPSOL®  
VARIABLE SPEED PUMP  
PAYS FOR ITSELF

**3 AFTER SEASONS**





# KS EVO VS

ENERGY SAVINGS AND VERSATILITY,  
WITH SILENT OPERATION



Union fittings provided, 50 and 63 mm diameter, to fit in any existing installation

- Variable speed: high efficiency for each application, optimised consumption
- 5 programs, 3 preselected speeds
- Super-silent operation
- Wing-nut closing system, rapid access (no tools required)
- Double drain, easy opening (no tools required)
- Simple installation, direct substitute for KSE pumps
- Impeller and diffuser made of Noryl®, very hard-wearing and corrosion-resistant
- Permanent magnet motor
- Automatic "Skimming" function: cleans the surface every 1, 2 or 3 hours
- Usage: for residential pools up to 126 m<sup>3</sup>
- Prefilter size: 3.5L

Code	Ref.	Hp	P2 (W)	P1 (W)	Amps (A)	A (mm)	Flow rate (m <sup>3</sup> /h)*	Weight (kg)	Pack. (mm)	qty/pallet
010925101520	KS Evo VS	1.50	1104	1250	5.9	543	21	15	330 x 255 x 650	25

P1 Input power - P2 Output power \* 10 m water column pressure M.O.Q. :1

**LPRK Smart retrofit kit: use it with the KS EVO VS to replace easily old pumps on existing installations**

SMART RETROFIT KIT

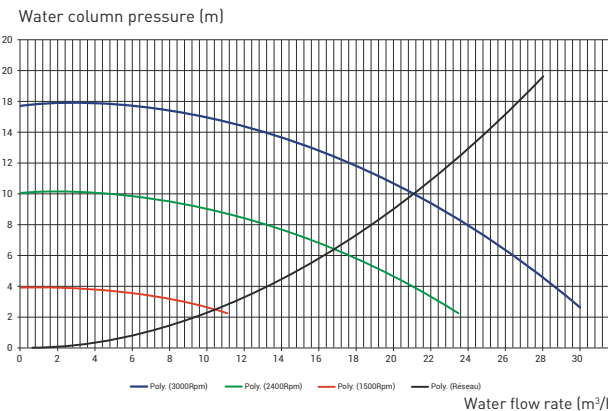
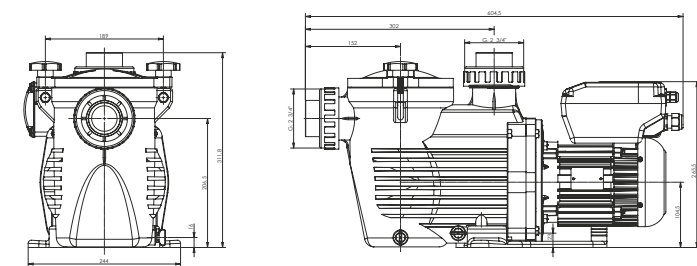
Item	Pumps to replace	Kit content	Kit per box
LPRK	Astral Victoria Plus, Astral Victoria Plus Silent, Saci Winner	Smart Base (1), Fixing screw (3), RC50 (2), O-ring Seal (2)	10

LPRK is valid to retrofit installations Ø50 mm, commonly used for pumps up to 1 HP

Technical Specifications	
Max. water temp. / Max. pressure	50°C / 2,5 bar
Connection (DIN slip included, for others please ask)	Ø 50 - 1 1/2" and Ø 63 - 2" All bodies have a 2" thread, possibility of having ANSI connection
Mechanical seal	AISI 316, suitable for salt water
Motor-drive specifications	Class F, IP55, 50 Hz, single phase
Housing/impeller/strainer/lid	PP + F.G./Noryl®/PP/SAN®

**Single Speed models can be easily replaced with a VS equivalent.**

(No need to retrofit or modify hydraulic connections).



# KSE VS 150

THE ORIGINAL REVISITED



Union fittings provided, 50 and 63 mm diameter, to fit in any existing installation

- Variable speed: high efficiency for each application, optimised consumption
- 5 programs, 3 preselected speeds
- Super-silent operation
- Visibility of the internal prefilter, easy access
- Impeller and diffuser made of Noryl®, very hard-wearing and corrosion-resistant
- Double drain, easy opening (no tools required)
- Permanent magnet motor
- Usage: for residential pools up to 126 m<sup>3</sup>
- Prefilter size: 3.5L

Code	Ref.	Hp	P2 (W)	P1 (W)	Amps (A)	A (mm)	Flow rate (m <sup>3</sup> /h)*	Weight (kg)	Pack. (mm)	qty/pallet
010904101520	KSE VS 150	1.50	1104	1250	5.9	605	21	15	300 x 255 x 650	25

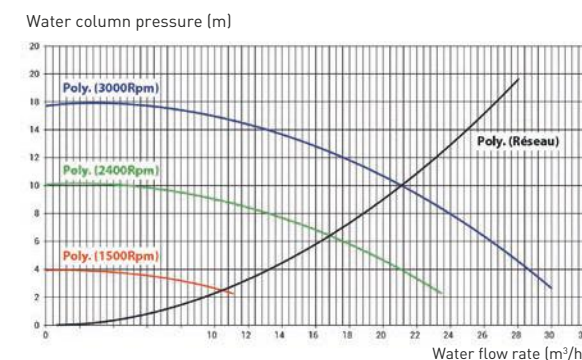
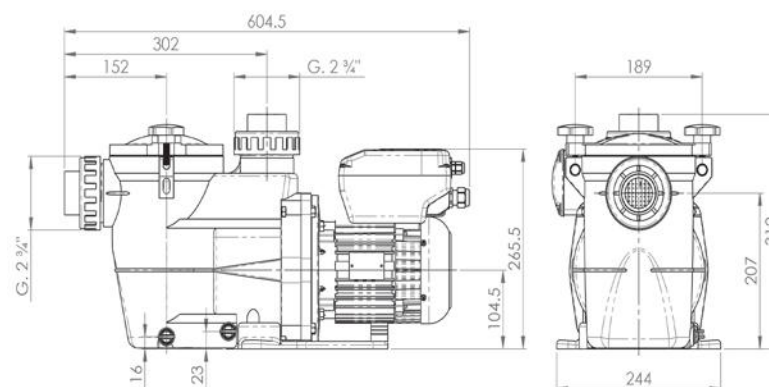
P1 Input power - P2 Output power \* 10 m water column pressure M.O.Q. :1

**Single Speed models can be easily replaced with a VS equivalent.**

(No need to retrofit or modify hydraulic connections).

Technical Specifications	
Max. water temp. / Max. pressure	50°C / 2,5 bar
Connection (DIN slip included, for others please ask)	Ø 50 - 1 1/2" and Ø 63 - 2"
Mechanical seal	AISI 316, suitable for salt water
Motor specifications	Class F, IP55, 50 Hz 2.850 rpm
Housing/impeller/strainer/lid	PP + F.G./Noryl®/PP/SAN®

\*All bodies have a 2" thread, possibility of having ANSI connection







# ENERGY EFFICIENCY REGULATION

## COMMISSION REGULATION (EU) 2019/1781

This regulation lays down the ecodesign requirements for electric motors and variable speed drives pursuant to Directive 2009/125/EC of the European Parliament and the Council.

The energy efficiency requirements shall apply according to the following timetable (extract from regulation sections relevant to motors used in pumps manufactured by Kripsol):

### a) from 1<sup>st</sup> July 2021:

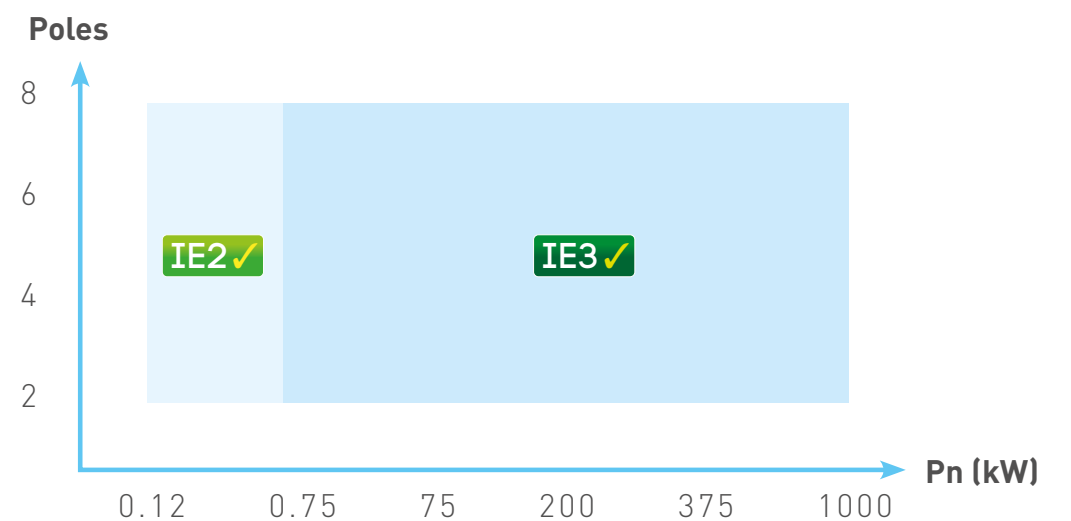
- i) the energy efficiency of three-phase motors with a rated output equal to or above 0.75 kW (1 HP) and equal to or below 1000 kW (1341 HP), with 2 or 4 poles, shall correspond to at least the IE3 efficiency level;
- ii) the energy efficiency of three-phase motors with a rated output equal to or above 0.12 kW (0.16 HP) and below 0.75 kW (1 HP), shall correspond to at least the IE2 efficiency level;

### b) from 1<sup>st</sup> July 2023:

- i) single-phase motors with a rated output equal to or above 0.12 kW (0.16 HP), in compliance with the directive are being replaced from IE1 to IE2.

## HOW DOES THE NEW REGULATION AFFECT KRIPSOL® PUMPS?

Kripsol designs and manufactures pool equipment that is certified compliant with all regulations and standards in force in the markets where our products are sold and used. Our pool pumps are no exception to this. As part of our ongoing product development, we will offer our customers pumps that comply with the new energy efficiency standards, which means that more of our models will come with IE2 or IE3 rated motors (see chart).





# PRIME-KPR

POWERFUL AND VERSATILE



- Large residential pools or small public pools, aqua therapy jets, water features
- The transparent cover with a rapid twist-lock cover provides a view into the interior of the prefilter and provides easy access
- Up to 26 meters of water column
- Usage: for residential pools up to 270 m<sup>3</sup> or semi-commercial up to 180 m<sup>3</sup>
- Prefilter size: 4.2 L



Pump available until END OF THE STOCK.



Click here!

HCP3600 pump series under Hayward® brand is an equivalent model.



Fitting diameter 75



More than 5 liter strainer



Twist lock cover

	Code*	Ref.	Type HP	P2 (W) <sup>1</sup>	P1 (W) <sup>2</sup>	Amps (A) <sup>3</sup>	A (mm)	Flow rate (m <sup>3</sup> /h)**	Weight (kg)	Pack. (mm)	qty/pallet	
SINGLE PHASE	011021320510	KPR250 M	2.50	1840	2400	12.5	669	30	24	285 x 285 x 720	20	
	011031420510	KPR300 M	3.00	2208	2800	14.5	669	36	26	285 x 285 x 720	20	
THREE PHASE	011031359510	KPR250 T1 IE3	2.50	1840	2400	8.3/4.8	669	30	28.5	285 x 285 x 720	20	IE3 ✓
	011031459510	KPR300 T1 IE3	3.00	2208	2800	8.8/5.1	669	36	28.5	285 x 285 x 720	20	IE3 ✓
	011041029510	KPR350 T1 IE3	3.50	2576	3800	12.1/7.0	710	45	31.5	285 x 285 x 720	20	IE3 ✓

\* In the limit of the available stock<sup>1</sup> Nominal power of the motor P2 (W) <sup>2</sup>P1 Max (W) (Maximum consumption of the pump)  
<sup>3</sup>Amps at P1 Max (A) \*\* 10 m water column pressure M.O.Q. :1

# KS EVO

ROBUST, SILENT AND EFFICIENT



- Easy maintenance: rapid access to the prefilter (no tools required)
- Impeller and diffuser made of Noryl®, very hard-wearing and corrosion-resistant
- Evolution of the KS: silent and efficient operation
- Simple installation, direct substitute for KSE pumps
- Double drain, easy opening (no tools required)
- Mechanical seal
- Usage: for residential pools up to 198 m<sup>3</sup>
- Prefilter size: 3.5 L

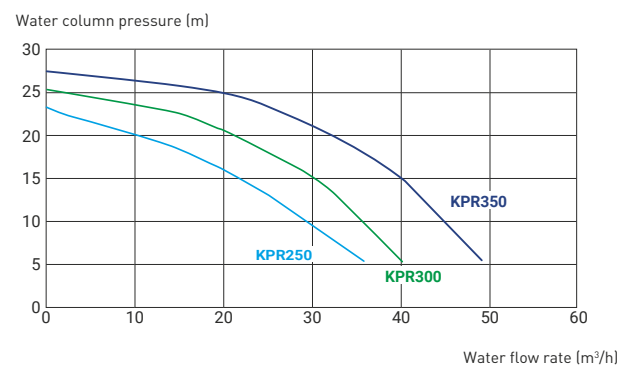
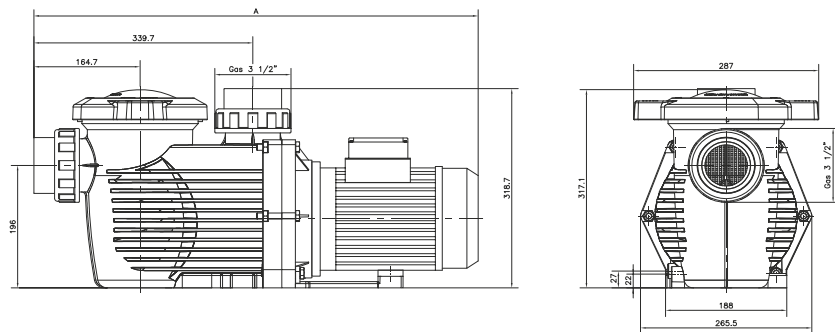
	Code	Ref.	Type HP	P2 (W) <sup>1</sup>	P1 (W) <sup>2</sup>	Amps (A) <sup>3</sup>	A (mm)	Flow rate (m <sup>3</sup> /h)*	Weight (kg)	Pack. (mm)	qty/pallet	
SINGLE PHASE	012501225010	KS Evo 033M	0.33	243	450	2.5	543	4.8	11.2	330 x 255 x 650	30	
	012511320510	KS Evo 050M	0.50	368	580	3.2	590	7.5	12.5	330 x 255 x 650	30	
	012511420510	KS Evo 075M	0.75	552	750	3.8	590	11.5	13.5	330 x 255 x 650	30	
	012511520510	KS Evo 100M	1.00	736	1000	5.0	590	15.4	14	330 x 255 x 650	30	
	012521120520	KS Evo 150M	1.50	1104	1600	7.5	620	21.9	16.5	330 x 255 x 650	25	
	012521220520	KS Evo 200M	2.00	1472	1920	9.0	620	25.7	22.5	330 x 255 x 650	25	
	012521420520	KS Evo 300 M	3.00	2208	2600	12.5	620	33	25	330 x 255 x 650	25	
THREE PHASE	012511350510	KS Evo 050T1	0.50	368	580	2.45/1.4	590	7.5	12.5	330 x 255 x 650	30	IE2 ✓
	012511450510	KS Evo 075T1	0.75	552	750	3/1.7	590	11.5	13.5	330 x 255 x 650	30	IE2 ✓
	012571050510	KS Evo 100T1 IE3	1.00	736	1000	3.4/2	620	15.4	16.5	330 x 255 x 650	25	IE3 ✓
	012571150510	KS Evo 150T1 IE3	1.50	1104	1600	5/2.9	620	21.9	19	330 x 255 x 650	25	IE3 ✓
	012581250510	KS Evo 200T1 IE3	2.00	1472	1920	6.1/3.5	620	25.7	25	330 x 255 x 650	25	IE3 ✓
	012581350520	KS Evo 300 T1 IE3	3.00	2208	2600	8.3/5	620	33	27	330 x 255 x 650	25	IE3 ✓

<sup>1</sup>Nominal power of the motor P2 (W) <sup>2</sup>P1 Max (W) (Maximum consumption of the pump) <sup>3</sup>Amps at P1 Max (A) \* 10 m water column pressure M.O.Q. :1  
 60 Hz on request, ask for conditions

## LPRK Smart retrofit kit: use it with the KS EVO to replace easily old pumps on existing installations

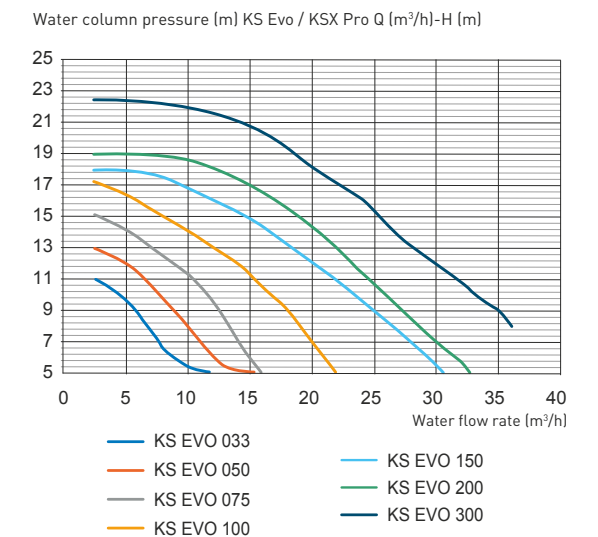
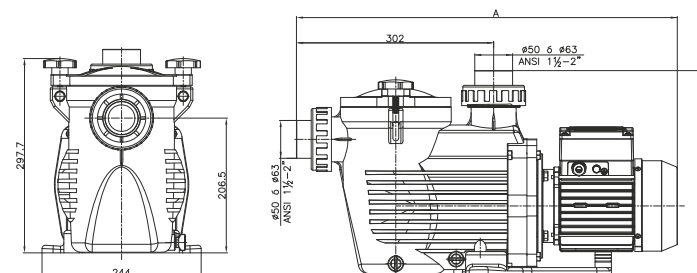
Item	Pumps to replace	Kit content	Kit per box
LPRK	Astral Victoria Plus, Astral Victoria Plus Silent, Saci Winner	Smart Base (1), Fixing screw (3), RC50 (2), O-ring Seal (2)	10

LPRK is valid to retrofit installations Ø50 mm, commonly used for pumps up to 1 HP



Technical Specifications	
Max. water temp. / Max. pressure	50°C / 2,5 bar
Connection (DIN slip included, for others please ask)	Ø 75
Mechanical seal	AISI 316, suitable for salt water
Motor specifications	Class F, IP55, 50 Hz, 2850 rpm 60Hz on request
Housing/impeller/strainer/lid	PP + F.G/Noryl®/ PP/ SAN®

Technical Specifications	
Max. water temp. / Max. pressure	50°C / 2,5 bar
Connection (DIN slip included, for others please ask)	50 mm (0,33 - 1 HP) Ø 63 mm (1,5 - 3 HP) All bodies have a 2" thread. Possibility of having ANSI connection 1.5" by buying code MAINSI15 or 2" with the code MAINSI20.
Mechanical seal	AISI 316, suitable for sea water
Motor-drive specifications	Class F, IP55, 50 Hz, 2850 rpm
Housing/impeller/strainer/lid	PP + F.G/Noryl®/PP/SAN®



KRIPSOL® PUMPS & ELECTRICAL CABINETS FILTERS WHITE GOODS AND LIGHTS CLEANERS HEATING SANITIZATION POOL SURROUNDING EQUIPMENT PVC ACCESSORIES CONDITIONS OF SALE



# KORAL-KSE

THE ORIGINAL FACELIFTED



- ➔ 500 grams lighter compared with the original
- ➔ Optimised and super-silent hydraulic system
- ➔ Visibility of the internal prefilter, easy access
- ➔ Impeller in corrosion-resistant and hard-wearing Noryl®
- ➔ Double drain, easy opening (no tools required)
- ➔ Usage: for residential pools up to 198 m<sup>3</sup>
- ➔ Prefilter size: 3.5 L

	Code	Ref.	Type HP	P2 (W) <sup>1</sup>	P1 (W) <sup>2</sup>	Amps (A) <sup>3</sup>	A (mm)	Flow rate (m <sup>3</sup> /h)*	Weight (kg)	Pack. (mm)	qty/pallet	
SINGLE PHASE	010401221010	KSE 33 M	0.33	243	450	2.5	503	4.8	10.7	330 x 255 x 650	30	
	010411320110	KSE 50 M	0.50	368	580	3.2	550	7.5	12	330 x 255 x 650	30	
	010411420110	KSE 75 M	0.75	552	750	3.8	550	11.5	13	330 x 255 x 650	30	
	010411520110	KSE 100 M	1.00	736	1000	5.0	550	15.4	13.5	330 x 255 x 650	30	
	010421120120	KSE 150 M	1.50	1104	1600	7.5	580	21.9	16	330 x 255 x 650	25	
	010421220120	KSE 200 M	2.00	1472	1920	9.0	580	25.7	17	330 x 255 x 650	25	
	010421420120	KSE 300 M	3.00	2208	2600	12.5	620	29.5	22	330 x 255 x 650	25	
THREE PHASE	010411350110	KSE 50 T1	0.50	368	580	2.45/1.4	550	7.5	11.5	330 x 255 x 650	30	IE2✓
	010411450110	KSE 75 T1	0.75	552	750	3/1.7	550	11.5	12.5	330 x 255 x 650	30	IE2✓
	010471050110	KSE 100 T1 IE3	1.00	736	1000	3.4/2	550	15.4	13	330 x 255 x 650	25	IE3✓
	010471150110	KSE 150 T1 IE3	1.50	1104	1600	5/2.9	580	21.9	15.5	330 x 255 x 650	25	IE3✓
	010481250110	KSE 200 T1 IE3	2.00	1472	1920	6.1/3.5	580	25.7	16.5	330 x 255 x 650	25	IE3✓
	010481350110	KSE 300 T1 IE3	3.00	2208	2060	8.3/5	620	29.5	21.5	330 x 255 x 650	25	IE3✓

<sup>1</sup> Nominal power of the motor P2 (W) <sup>2</sup> P1 Max (W) [Maximum consumption of the pump] <sup>3</sup> Amps at P1 Max (A) \* 10 m water column pressure M.O.Q. :1  
60 Hz on request, ask for conditions

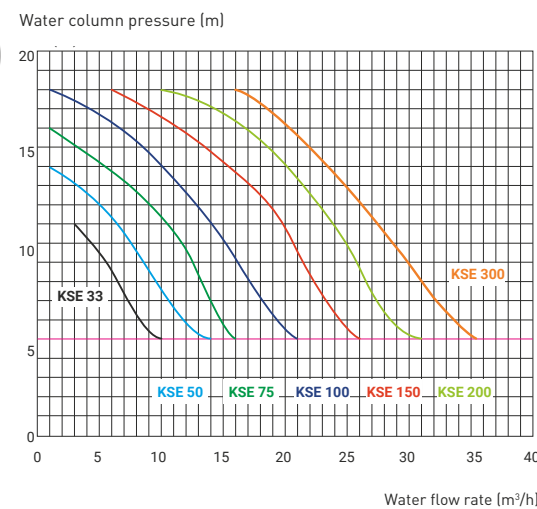
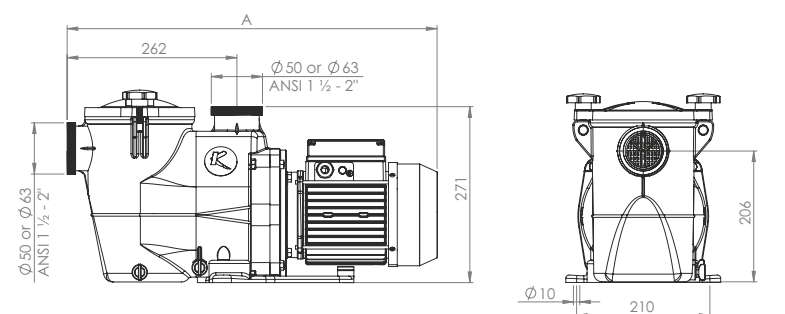
### Technical Specifications

Max. water temp. / Max. pressure	50°C / 2,5 bar
Connection (DIN slip included, for others please ask)	Ø 50 (0,33-1 hp) Ø 63 (1,5-3,00 hp) All bodies have a 2" thread. Possibility of having ANSI connection 1.5" by buying code MAINS115 or 2" with the code MAINS120.
Mechanical seal	AISI 316, suitable for salt water
Motor specifications	Class F, IP55, 50 Hz 2.850 rpm
Housing/impeller/strainer/lid	PP + F.G/Noryl®/PP/SAN®



### Main differences between new and old pump body

1. Purge plugs on same side
2. Smoother surfaces
3. Lower height of impulsion chamber
4. Chamfered thread to avoid misalignments & burrs
5. Remove threaded inserts



# S2

SMALL PUMP FOR OUTSTANDING RESULTS!

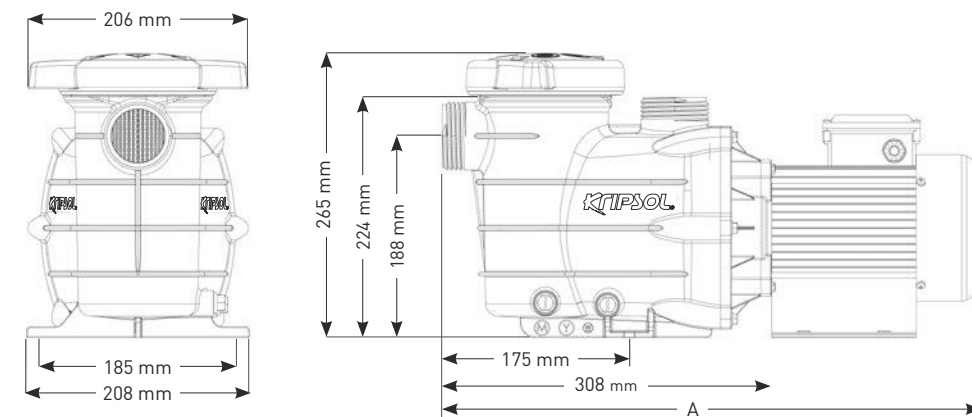


- ➔ Exceptional performance, one of the best in its category
- ➔ Ideal for small pools and above-ground pools up to 68 m<sup>3</sup>
- ➔ Prefilter size: 1.1L



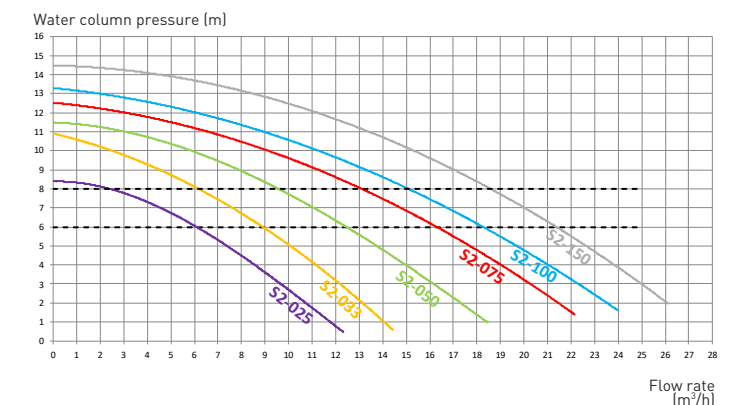
	Code	Type HP	P2 (W) <sup>1</sup>	P1 (W) <sup>2</sup>	Amps (A) <sup>3</sup>	Total Length A (mm)	Flow rate (m <sup>3</sup> /h)*	Weight (kg)	qty/pallet	
SINGLE PHASE	S2-025ME2	0.25	235	360	1.6	504	6.5	7.9	32	IE2✓
	S2-033ME2	0.33	330	460	2	504	6.26	7.9	32	IE2✓
	S2-050ME2	0.5	440	580	2.6	504	9.71	8.8	32	IE2✓
	S2-075ME2	0.75	585	730	3.2	504	13	9.8	32	IE2✓
	S2-100ME2	1	690	860	3.8	504	15	9.8	32	IE2✓
	S2-150ME2	1.5	860	1050	4.6	540	18.75	12.3	32	IE2✓

<sup>1</sup> Nominal power of the motor P2 (W) <sup>2</sup> P1 Max (W) [Maximum consumption of the pump] <sup>3</sup> Amps at P1 Max (A) \* 8 m water column pressure (Please note that 0.25 HP info it is 6 mcw.) M.O.Q. :1



### Technical Specifications

Max. water temp.	35°C
Adapter	50 and 32/38 mm
Mechanical seal	AISI 304, suitable for salt water
Motor specifications	Class F, IP55, 50Hz, 2 Poles
Housing/impeller/strainer/lid	PP+GF/PP(O Noryl®) / BRASS/PC





# ONDINA-OK

HIGH EFFICIENCY AND LOW NOISE



- Optimised for medium and small pools
- Compact and silent, suitable for small technical rooms and underground technical equipment boxes
- Quick-seal with wing nuts
- Usage: for residential pools up to 75 m<sup>3</sup>
- Prefilter size: 1.75 L

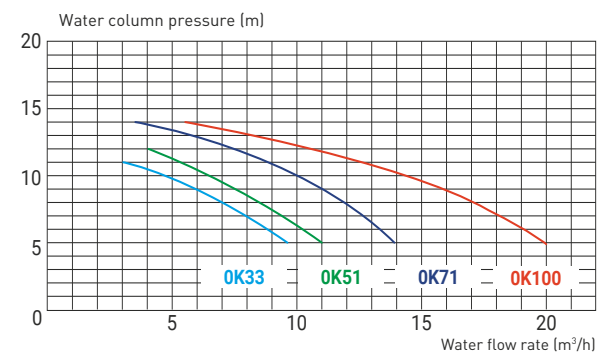
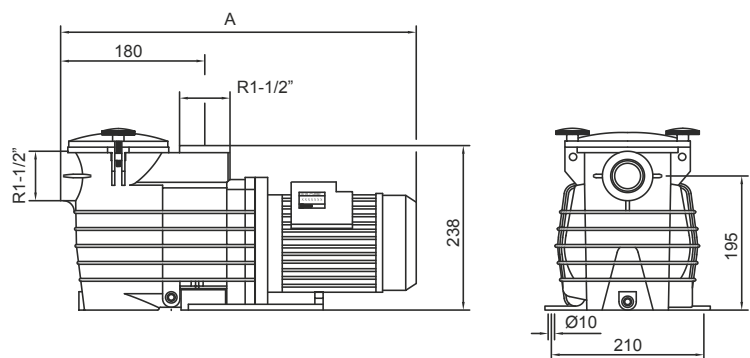
	Code	Ref.	Type HP	P2 (W) <sup>1</sup>	P1 (W) <sup>2</sup>	Amps (A) <sup>3</sup>	A (mm)	Flow rate (m <sup>3</sup> /h)*	Weight (kg)	Pack. (mm)	qty/pallet	
SINGLE PHASE	010201121000	OK 33M	0.33	243	450	2.45	475	7	8	310 x 250 x 510	30	
	010201221000	OK 51M	0.5	368	580	3.5	475	8.5	8.5	310 x 250 x 510	30	
	010201321000	OK 71M	0.75	552	750	4	475	11.9	9	310 x 250 x 510	30	
	010211420100	OK 100M	1.00	736	1000	5	505	17.2	11.5	310 x 250 x 510	30	
THREE PHASE	010211250100	OK 50T1	0.5	368	580	2.45/1.4	500	8.5	10	310 x 250 x 510	30	IE2✓
	010211350100	OK 75T1	0.75	552	750	3/1.75	500	11.9	10.5	310 x 250 x 510	30	IE2✓
	010271450100	OK 100T1	1.00	736	1000	3/4.2	505	17.2	11.5	310 x 250 x 510	30	IE3✓

<sup>1</sup> Nominal power of the motor P2 (W) <sup>2</sup> P1 Max (W) (Maximum consumption of the pump) <sup>3</sup> Amps at P1 Max (A) \* 8 m water column pressure M.O.Q. :1

**MPRK Smart retrofit kit: use it with the ONDINA to replace easily old pumps on existing installations**

SMART RETROFIT KIT			
Item	Pumps to replace	Kit content	Kit per box
MPRK	Astral Sena, Espa Silen I / Iris	Smart Base (1), fixing screw (3), Short threaded adaptor (2), Long threaded adaptor (1), O-ring (4)	IDEM

Technical Specifications	
Max. water temp. / Max. pressure	50°C / 2,5 bar
Connection threaded	1 1/2"
Mechanical seal	AISI 316, suitable for salt water
Motor-drive specifications	Class F, IP55, 50 Hz 2.850 rpm
Housing/impeller/strainer/lid	PP + F.G./Noryl®/PP/SAN®



# NINFA-NK

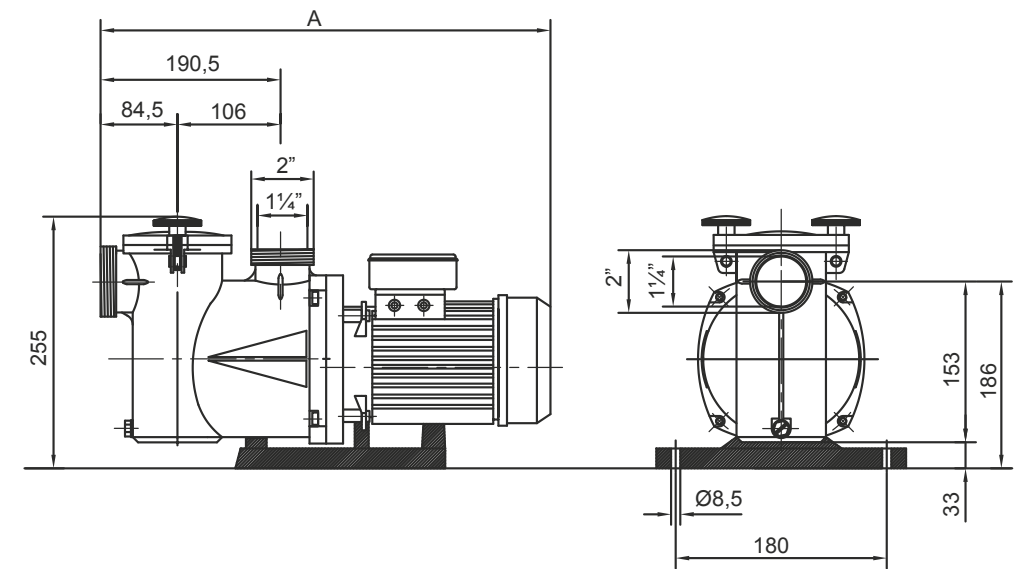
COMPACT AND SILENT



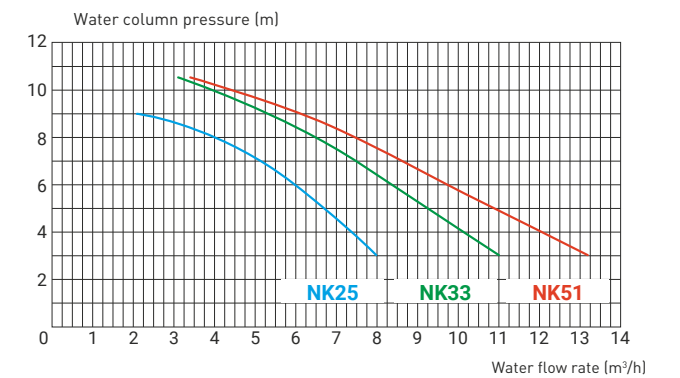
- The solution for above-ground pools or small size traditional pools
- Easy-open transparent lid (no tools required)
- Usage: for residential pools up to 35 m<sup>3</sup>
- Prefilter size: 1.25 L

	Code	Ref.	Type HP	P2 (W) <sup>1</sup>	P1 (W) <sup>2</sup>	Amps (A) <sup>3</sup>	A (mm)	Flow rate (m <sup>3</sup> /h)*	Weight (kg)	Pack. (mm)	qty/pallet
SINGLE PHASE	010101021000	NK 25M	0.25	184	270	1.5	422	4	5.6	245 x 220 x 440	42
	010101121000	NK 33M	0.33	243	360	2.3	422	6.4	6	245 X 220 X 440	42
	010101221000	NK 51M	0.50	368	530	2.9	422	7.5	6.3	245 X 220 X 440	42

<sup>1</sup> Nominal power of the motor P2 (W) <sup>2</sup> P1 Max (W) (Maximum consumption of the pump) <sup>3</sup> Amps at P1 Max (A) \* 8 m water column pressure M.O.Q. :1



Technical Specifications	
Max. water temp. / Max. pressure	50°C / 2,5 bar
Connection threaded	2" external and 1 1/4" internal
Mechanical seal	AISI 316, suitable for salt water
Motor-drive specifications	Class F, IP55, 50 Hz (60 Hz, ask), 2.850 rpm
Housing/impeller/strainer/lid	PP + F.G./Noryl®/PP/SAN®





# SMART RETROFIT KIT

REPLACE EASILY OLD PUMPS ON EXISTING INSTALLATIONS

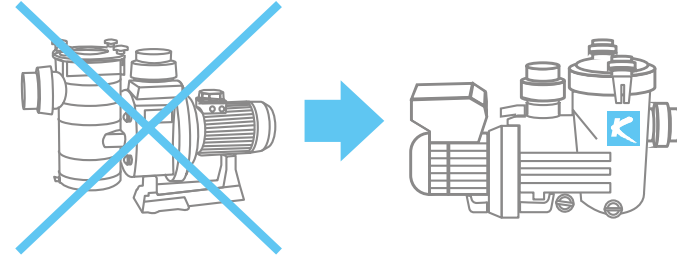


Do you want to change a competitor pump by a Kripsol® pump, **easily without wasting time and extra money?**

**RETROFIT KIT IS YOUR SOLUTION!**



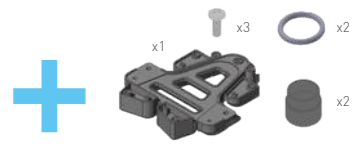
Competitor pumps



➔ **UPGRADE AN EXISTING PUMP WITH KRIPSOL® PUMPS AND THE SMART RETROFIT KIT**



KS EVO VS  
(or KS EVO)



**LPRK KIT**  
REPLACES ASTRAL VICTORIA PLUS, VICTORIA PLUS SILENT, VICTORIA PLUS SILENT VS, SACI WINNER, E-WINNER, WINNER VS



ONDINA OK

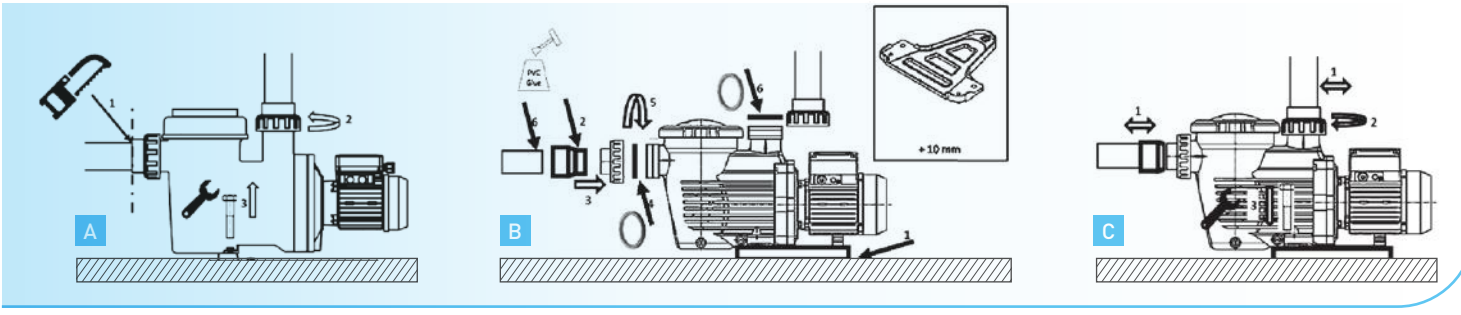
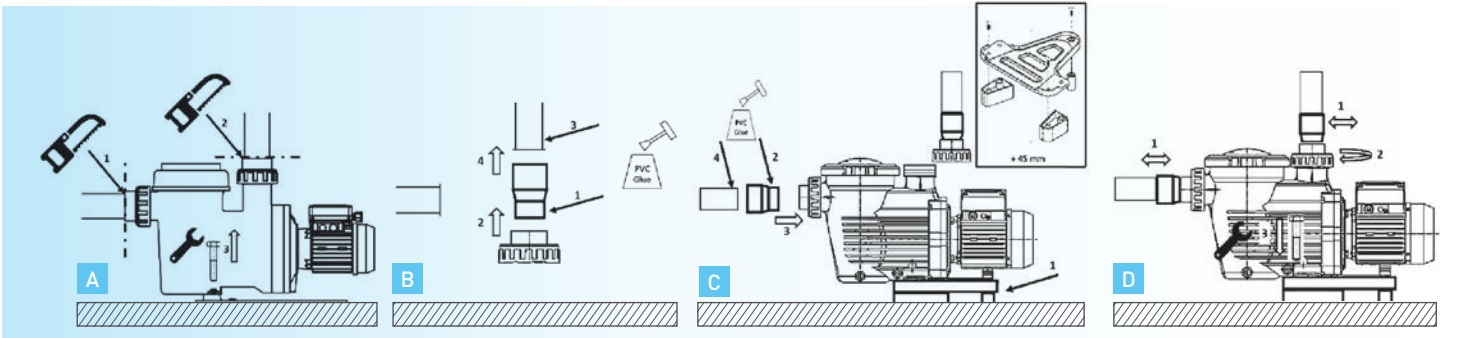


**MPRK KIT**  
REPLACES ASTRAL SENA, ESPA SILENI AND IRIS



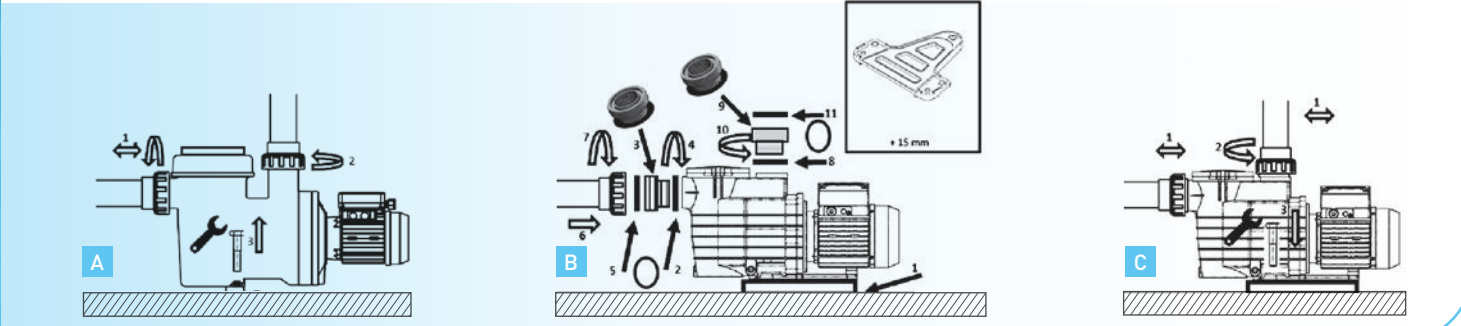
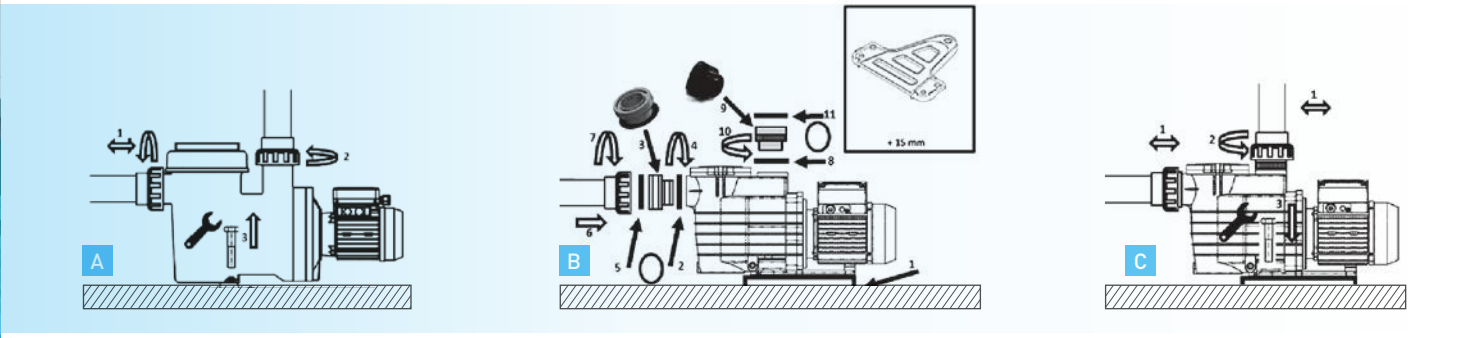
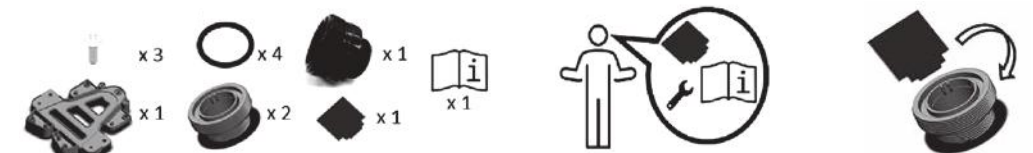
# LPRK SMART RETROFIT KIT

LPRK retrofit kit



# MPRK SMART RETROFIT KIT

MPRK retrofit kit





# NIGER-KNG

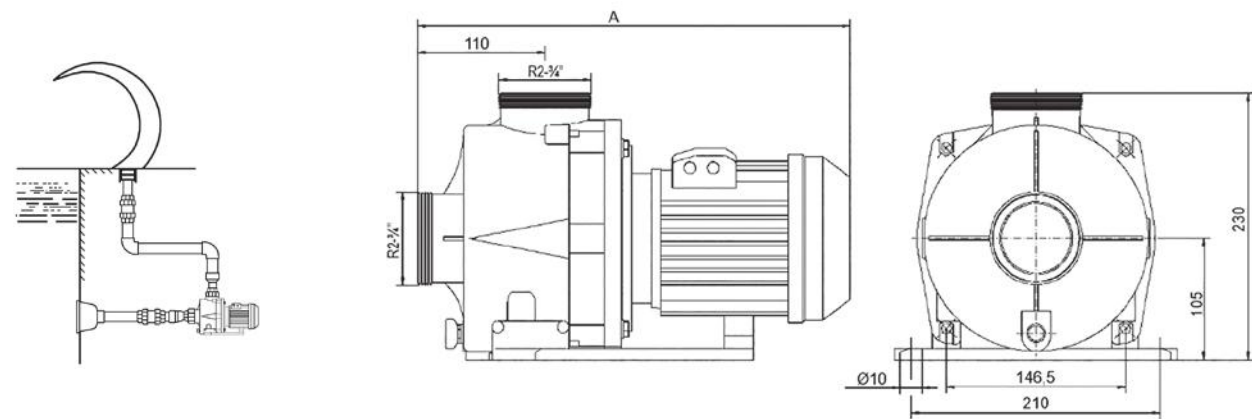
SPECIAL FOR RE-CIRCULATION  
TILL 26 m<sup>3</sup>/H



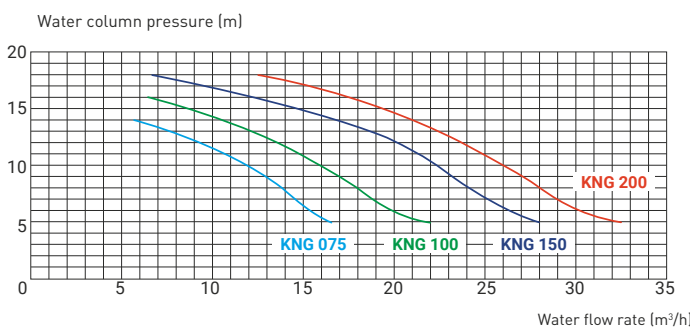
- ➔ Water features, hydro massage, spas and general re-circulation
- ➔ Impeller in Noryl and mechanical seal in AISI 316®
- ➔ Enclosed motor, protection class IP55, class F
- ➔ Silent operation
- ➔ Usage: water features, hydro massage, spas and general re-circulation

	Code	Ref.	Type HP	P2 (W) <sup>1</sup>	P1 (W) <sup>2</sup>	Amps (A) <sup>3</sup>	A (mm)	Flow rate (m <sup>3</sup> /h)*	Weight (kg)	Vol. (m <sup>3</sup> )	qty/pallet	
SINGLE PHASE	010711420110	KNG 075DM	0.75	552	750	3,8	3,8	12	11.5	0.028	30	
	010711520110	KNG 100DM	1.00	736	1000	5	5	15.98	12	0.028	30	
	010721120120	KNG 150DM	1.50	1104	1600	7,5	7,5	22.4	14.5	0.028	24	
	010721220120	KNG 200DM	2.00	1472	1920	9	9	26.2	15.5	0.028	24	
THREE PHASE	010711450110	KNG 075DT1	0.75	552	750	3,4/2	412	12	11.5	0.028	30	IE2✓
	010771050110	KNG 100DT1 IE3	1.00	736	1000	3,5/2,1	412	15.9	12	0.028	30	IE3✓
	010771150120	KNG 150DT1 IE3	1.50	1104	1600	3,6/2,2	442	22.4	14.5	0.028	24	IE3✓
	010771250120	KNG 200DT1 IE3	2.00	1472	1920	5/2,9	442	26.2	15	0.028	24	IE3✓

<sup>1</sup> Nominal power of the motor P2 (W) <sup>2</sup> P1 Max (W) [Maximum consumption of the pump] <sup>3</sup> Amps at P1 Max (A) \* 10 m water column pressure M.O.Q. :1



Technical Specifications	
Max. water temp. / Max. pressure	50°C / 2,5 bar
Connection (DIN slip included, for others please ask)	Ø 50 mm <= 1 HP Ø 63 mm > 1 HP All bodies have a 2" thread. Possibility of having ANSI connection 1.5" by buying code MAINS115 or 2" with the code MAINS120.
Mechanical seal	AISI 316, suitable for salt water
Motor-drive specifications	Class F, IP55, 50 Hz, 2.850 rpm
Housing/impeller	PP + F.G./Noryl®



# KARPA-KA

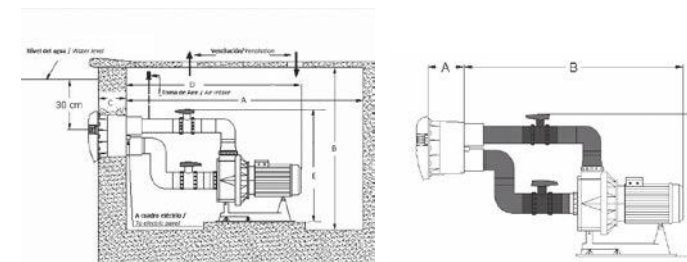
PUMPS FOR COUNTER-CURRENT  
SWIMMING EQUIPMENT



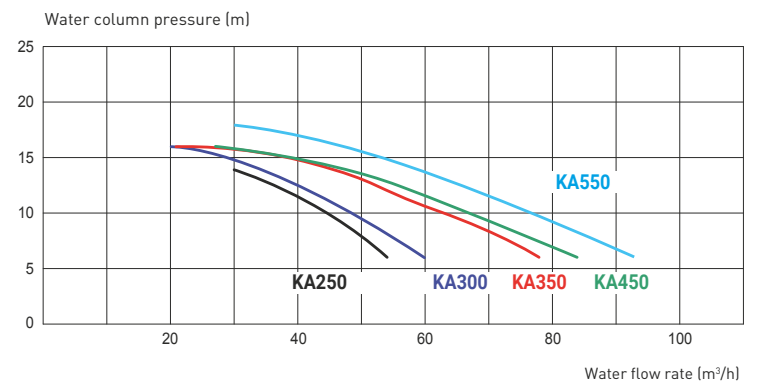
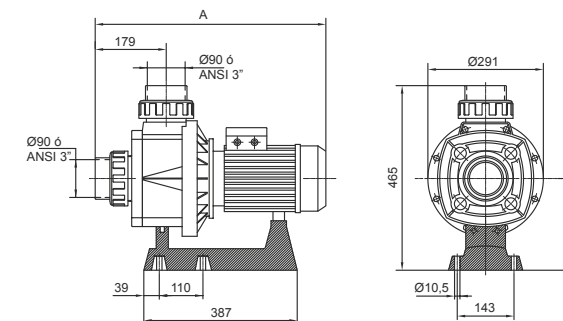
- ➔ Recommended for counter-currents, hydro massage, spas, etc.
- ➔ Pump housing in hardened thermoplastic
- ➔ Usage: water features, counter-current jets

	Code	Ref.	Type HP	P2 (W) <sup>1</sup>	P1 (W) <sup>2</sup>	Amps (A) <sup>3</sup>	A (mm)	Flow rate (m <sup>3</sup> /h)*	Weight (kg)	Vol. (m <sup>3</sup> )	qty/pallet	
SINGLE PHASE	011121120110	KA250M	2.5	1840	2300	12.4	581	44	21	0.083	18	
	011131220110	KA300M	3	2208	2760	14.5	581	48	25	0.083	18	
THREE PHASE	011131359110	KA250T1IE3	2.5	1840	2300	8.3/4.8	581	44	26	0.083	18	IE3✓
	011131459110	KA300T1IE3	3	2208	2760	8.8/5.1	581	48	26	0.083	18	IE3✓
	011141029110	KA350T1IE3	3.5	2576	3700	10.4/6.0	581	63	32	0.083	18	IE3✓
	011141129110	KA450T1IE3	4.5	3312	4300	11.7/6.75	581	67	34	0.083	18	IE3✓

<sup>1</sup> Nominal power of the motor P2 (W) <sup>2</sup> P1 Max (W) [Maximum consumption of the pump] <sup>3</sup> Amps at P1 Max (A) \* 10 m water column pressure M.O.Q. :1



Technical Specifications	
Max. water temp. / Max. pressure	50°C / 2,5 bar
Connection (DIN slip included, for others please ask)	Ø 90 mm Possibility of having ANSI connection 3" by buying code 500100150001 (Includes 2 nuts, 2 sleeves of 3" and 1 gasket)
Mechanical seal	AISI 316, suitable for salt water
Motor-drive specifications	Class F, IP55, 50 Hz (60 Hz, ask), 2.850 rpm
Housing/impeller	PP + FG / Noryl®





# ELECTRICAL CABINETS

THE IDEAL COMPLEMENT FOR VARIABLE SPEED PUMPS AND FOR THE PROJECTORS

The new electric cabinets K-Power, and K-Power Connect allow to control the filtration pump and lighting through a single control unit. In the case of the K-Power Connect, in addition, via Bluetooth thanks to the specific application for Kripsol: K-POWER.

## K-POWER

ONE ELECTRICAL BOX FOR PUMPS UP TO 3 HP



- ➔ 2 timers for filtering and 1 timer for the lighting
- ➔ Automatic calibration of the outlet for the filter pump
- ➔ Integrated protection against overloads
- ➔ Several models to choose from, depending on customer requirements: 50, 100 and 300 W transformers
- ➔ Electrical boxes-single phase: protection of all single phase pumps up to 3 HP
- ➔ Electrical boxes-three phase: protection of all three phase pump up to 5 HP
- ➔ Start and operating hours counter included

	Description
Supply	230V~ -50/60Hz
Pump outlet	14A, single-phase models 230V~/16A, three-phase models 400VAC
Lighting outlet (depends on model)	230V~/5A • 12V /50W (T50 W) • 12V~/100W (T100W) • 12V~/300W (T300W)
Indicators	Pump in operation, Alarm, Filter programmes, Auxiliary output and Time
Protections	Motor overload
Overload protection	20% higher than nominal current
4-Digit LED display	Time, Settings and Alarms
Auxiliary relay	Dry contact 250V / 5A maximum
Maximum cable cross-sections	4 mm <sup>2</sup> [power] / 2,5 mm <sup>2</sup> [control]
IP rating / Temperature	IP65/-10°...+55°C

	Item	Description
SINGLE PHASE	0805KPOW230	Electrical cabinet 230 V~ single-phase
	0805KPOW230D	Electrical cabinet 230 V~ single-phase with GFCI*
	0805KPOW230DT50	Electrical cabinet 230 V~ single-phase + GFCI* with transformer 50W
	0805KPOW230DT100	Electrical cabinet 230 V~ single-phase + GFCI* with transformer 100W
	0805KPOW230DT300	Electrical cabinet 230 V~ single-phase + GFCI* with transformer 300W
THREE PHASE	0805KPOW400	Electrical cabinet three-phase 400V~ 16A
	0805KPOW400D	Electrical cabinet three-phase 400V~ 16A with GFCI*
	0805KPOW400DT50	Electrical cabinet three-phase 400V~ 16A GFCI* with transformer 50W
	0805KPOW400DT100	Electrical cabinet three-phase 400V~ 16A + GFCI* with transformer 100W





# K-POWER

K-POWER FOR COUNTER-CURRENT SWIMMING



## TAKE TIME OUT TO SWIM!

- ➔ Control box for all counter-current swimming system
- ➔ Power supply and control for all pumps up to 16 A
- ➔ 4-digit display: pump in operation, max. and min. intensity, alarm
- ➔ Pneumatic switch for hose of inner diameter 2.5 mm



### TIPS!

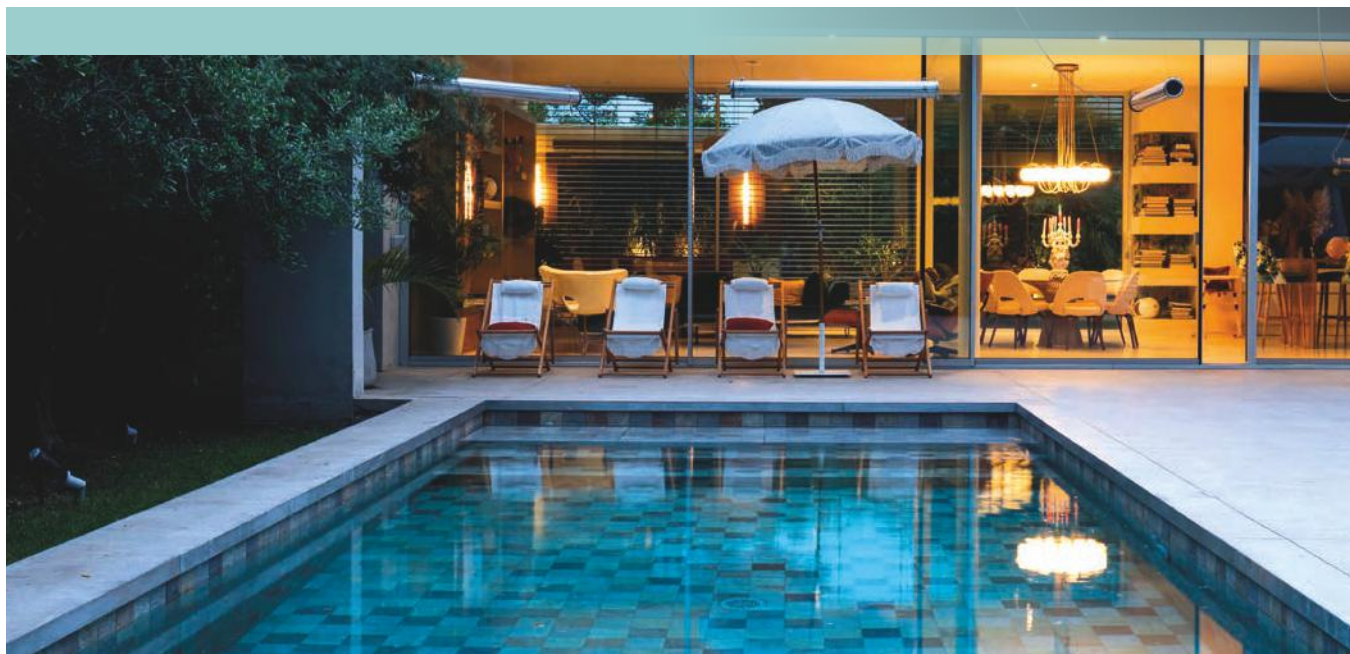
Piezoelectric Pushbutton Switch



For more information, see page 59

Item	Description
0805KPOWSWIM230	Electrical box single phase 230 V counter-current 14 A
0805KPOWSWIM400	Electrical box three phase 400 V counter-current 16 A

Technical Specifications	
Supply	230 VAC -50/60 Hz
Pump outlet	14 A, single-phase models / 16 A, three-phase models
4-Digit LED display	Settings and Alarms
Protections	Overload, underload, phase loss, excessive starting frequency
Maximum cable cross-sections	4 mm <sup>2</sup> (power) / 2.5 mm <sup>2</sup> (control)



# K-POWER

K-POWER FOR OVERFLOW POOLS

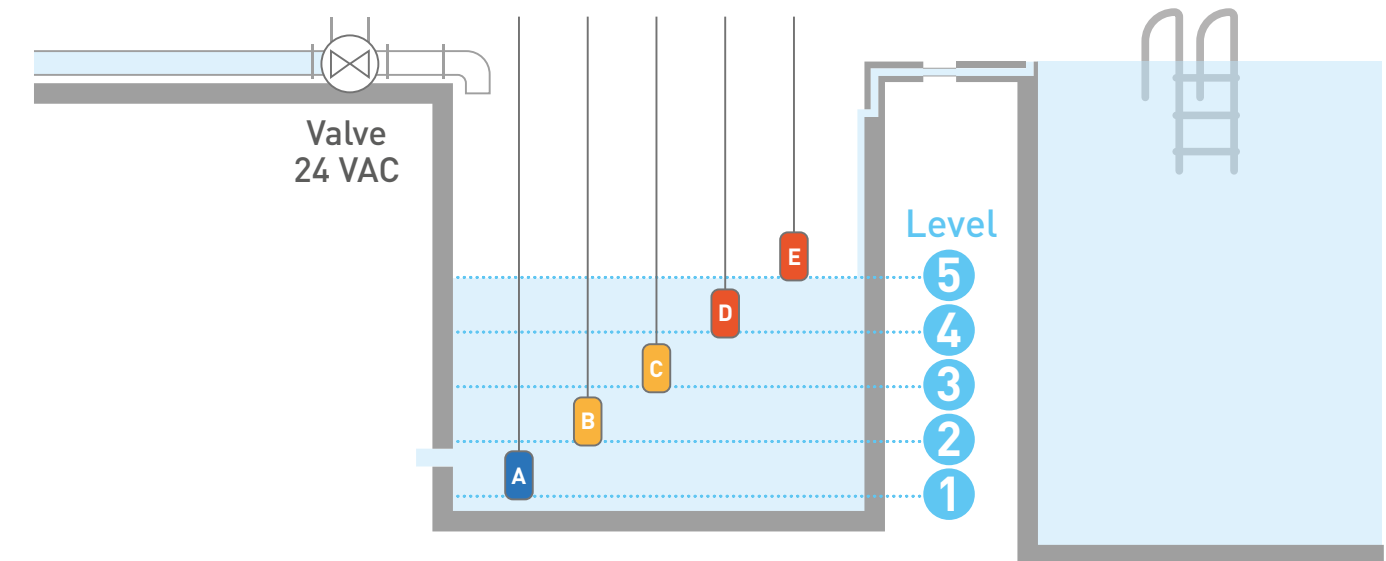


## SPEND ALL YOUR TIME ENJOYING YOUR POOL!

- ➔ Control box for regulation of the water level in the overflow pool balancing tank
- ➔ 5 level probes included
- ➔ Power supply and control for a 24V<sub>~</sub> valve
- ➔ Power supply and control for the recirculation pump
- ➔ Manual adjustment of sensor sensitivity
- ➔ Pneumatic switch for hose of inner diameter 2.5 mm

Item	Description
0805KPOW5LEV	Control panel for overflow pools

Technical Specifications	
Supply	230 VAC -50/60 Hz
Voltage in the probes for valve opening and closing (TH-FILL)	24 VAC 50 Hz
Voltage in the probes for operation and shutoff pump (UH1)	12 VAC 50 Hz
Current in the probes	1.2 mA maximum short circuit current
Sensitivity of the probes for valve opening and closing (TH-FILL)	Adjustable from 60 to 200 kOhm
Sensitivity of the pump operation and shutoff probes (UH1)	Adjustable from 3 to 60 kOhm
Solenoid valve output	24 VAC/16 VA max.
Delay time in opening/closing the valve	Adjustable in range 5 - 40 seconds
Indicators	Voltage present, valve open and order to pump to operate (front panel). Voltage present, and status of the valve (TH-FILL). Voltage present, and status of the relay (UH1).
Maximum terminal cross-sectional area	4mm <sup>2</sup> (power cable) / 4mm <sup>2</sup> (valve) / 2.5mm <sup>2</sup> (control cable)



- A** Common Tank bottom
- B** Close Valve - Refill Stop filtration pump
- C** Open Valve - Stop refill Release filtration pump
- D** Release filtration pump
- E** Force filtration pump

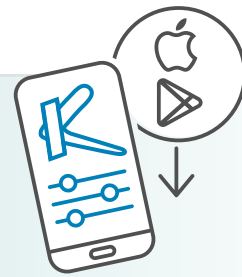


# K-POWER CONNECT

THE ONLY CABINET ON THE SWIMMING POOL MARKET THAT ALLOWS MANAGEMENT OF THE FILTER PUMP AND LIGHTING BY BLUETOOTH



- ➔ 2 timers for filtering and 1 timer for the lighting
- ➔ Automatic calibration of the outlet for the filter pump
- ➔ Integrated protection against overloads
- ➔ Several models to choose from, depending on customer requirements: 50, 100 and 300 W transformers
- ➔ Remote control via bluetooth from Smartphone thanks to the KPOWER application.



Download the "KPOWER" application to be able to control remotely your pool with your smartphone

	Description
Supply	230V~ -50/60Hz
Pump outlet	14A, single-phase models 230V~/16A, three-phase models 400VAC
Lighting outlet (depends on model)	230V~/5A • 12V /50W (T50 W) • 12V~/100W (T100W) • 12V~/300W (T300W)
Indicators	Pump in operation, Alarm, Filter programmes, Auxiliary output and Time
Protections	Motor overload
Overload protection	20% higher than nominal current
4-Digit LED display	Time, Settings and Alarms
Auxiliary relay	Dry contact 250V / 5A maximum
Maximum cable cross-sections	4 mm <sup>2</sup> (power) / 2,5 mm <sup>2</sup> (control)
IP rating / Temperature	IP65/-10°...+55°C
Informations	Bluetooth interface (-B) • Radio remote control • External probe for atmospheric temperature

	Item	Description
SINGLE PHASE	0805KPOW230B	Electrical Cabinet 230V~ 14A with bluetooth
	0805KPOW230BD	Electrical Cabinet 230V~ 14A with bluetooth and GFCI*
	0805KPOW230BDT50	Electrical Cabinet 230V~ 14A with bluetooth, GFCI* and transformer 50W
	0805KPOW230BDT100	Electrical Cabinet 230V~ 14A with bluetooth, GFCI* and transformer 100W
	0805KPOW230BDT300	Electrical Cabinet 230V~ 14A with bluetooth, GFCI* and transformer 300W
THREE PHASE	0805KPOW400BDT50	Electrical Cabinet three-phase 400V~ 16A with bluetooth, GFCI* and transformer 50W
	0805KPOW400BDT100	Electrical Cabinet three-phase 400V~ 16A with bluetooth, GFCI* and transformer 100 W

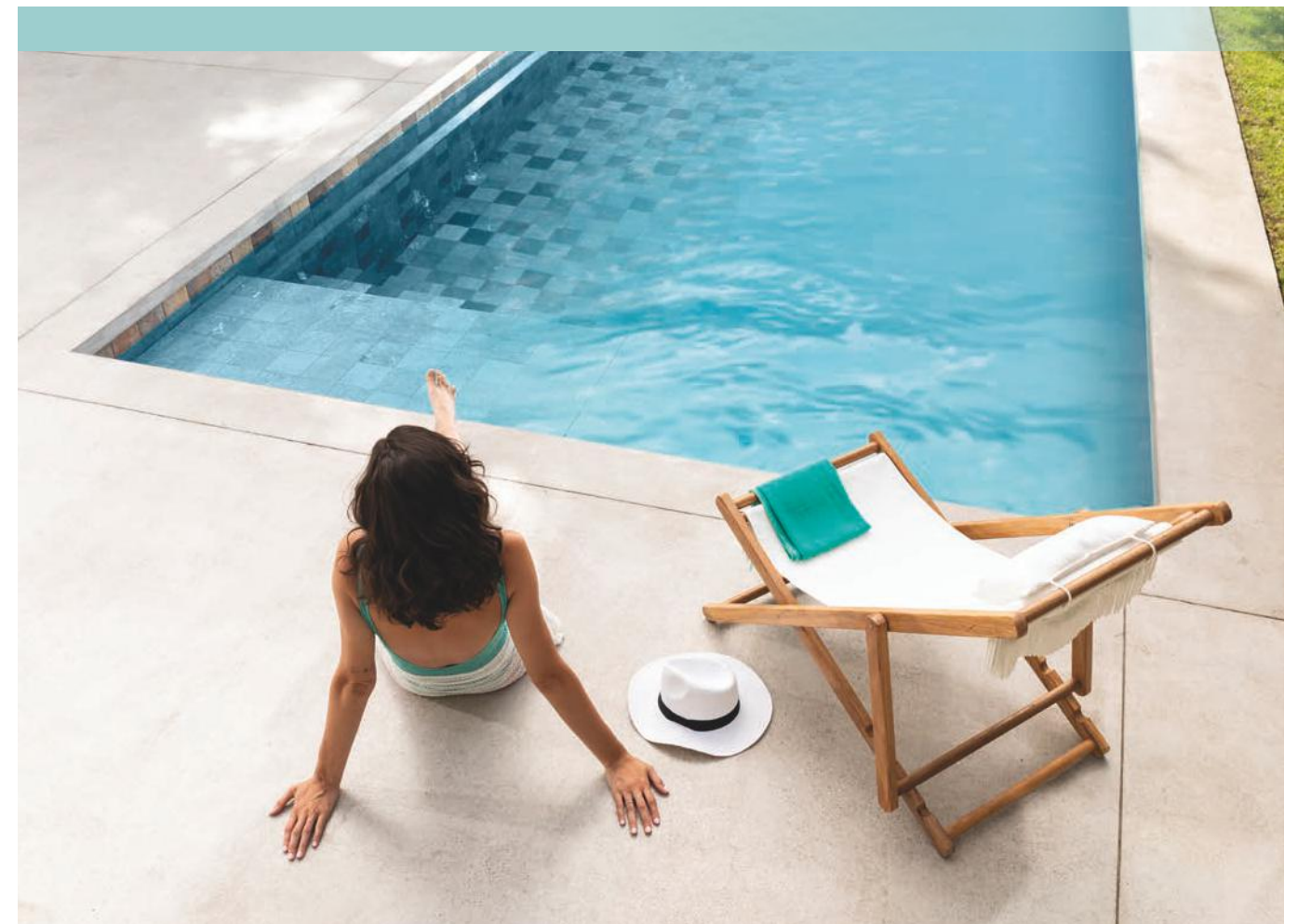
# ACCESSORIES

ELECTRICAL BOXES



➔ **TRANSFORMERS**  
Isolation transformers to operate in wet and corrosive environments. Encased in epoxy resin. With three outlets for lengths of 20, 30 and 40 metres. Manufactured to comply with standard UNE -EN 60742.

Item	Code	Power (W)	Voltage (V)		Frequency (Hz)	Weight (kg)	Vol. (m <sup>3</sup> )	qty/pack
			Prim.	Sec.				
T050	084010050000	50	230	12	50	1,2	0,001	1
T100	084010100000	100	230	12	50	2,0	0,001	1
T300	084010300000	300	230	12	50	5,0	0,004	1
T600	084010600000	600	230	12	50	7,0	0,006	1





# THE PERFECT PARTNER FOR OUR PUMPS

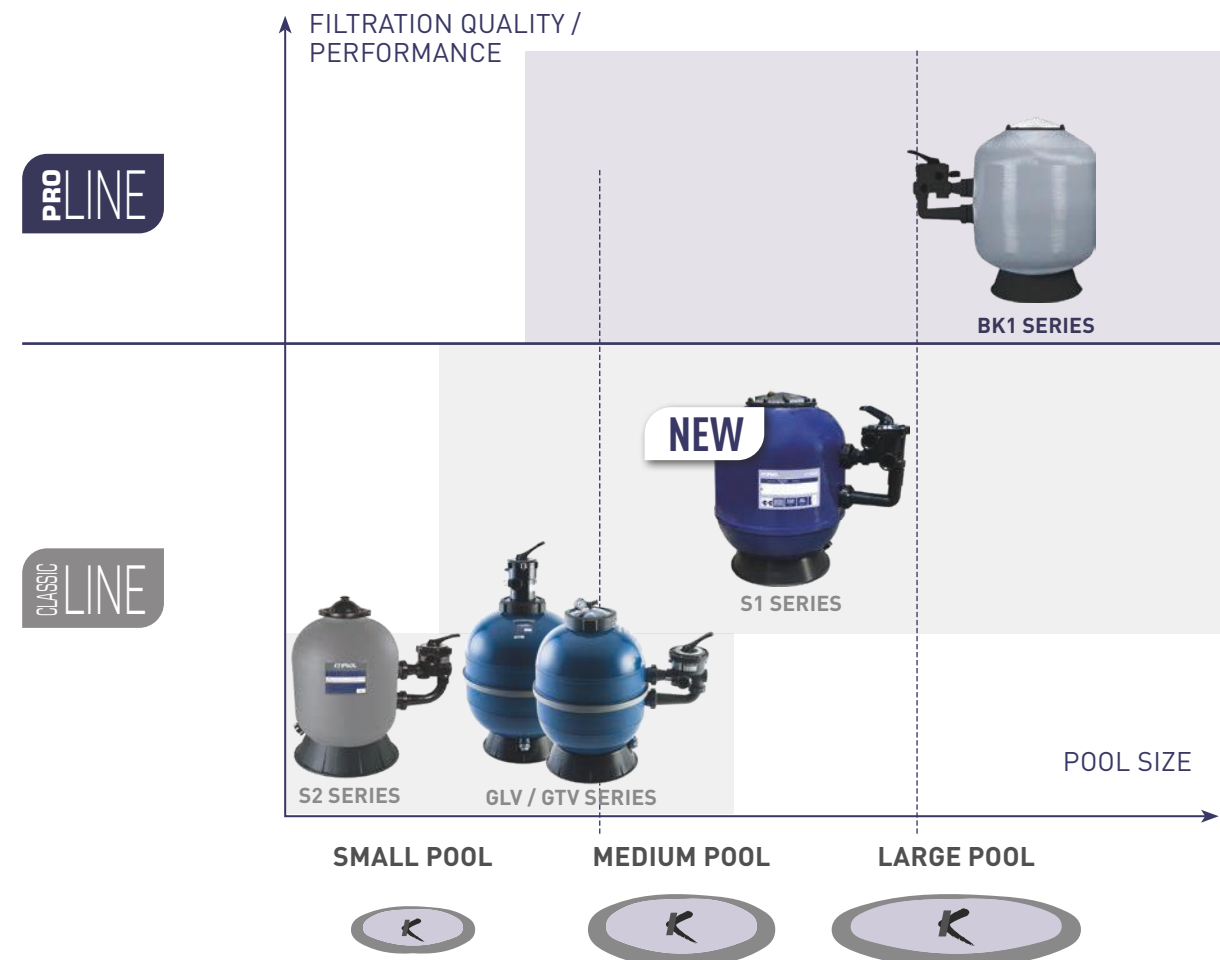
We have been designing and manufacturing filters for over 35 years, always in synchronisation with our pumps.

The Vari-Flo™ valve is being included in all filter models, making them even more hard-wearing and reliable.

Discover our bobbin-wound, new laminated, blown or injected filters, a wide range of filters to suit all pool configurations.



# FILTERS



FIND THE SEGMENTATION OF ALL OUR FILTERS FOR A MORE GLOBAL AND EFFECTIVE VISION!



SELECTION GUIDE	40
BK1 SERIES	42
S1 SERIES <b>NEW</b>	43
GLV / GTV KIT	44
GLV / GTV SERIES	45
S2 SERIES	46
VITRAFIL	47
VALVES	48



# SELECTION GUIDE

HOW TO CHOOSE THE RIGHT FILTER?



**BK1 SERIES** ▶

- Sand
- Bobbin-wound filter
- Residential up to 180 m²
- Side Version
- 4 skus from 10 to 32 m³/h
- Valve included
- Stability
- Resistant
- Bolted cover

**S1 SERIES** ▶

- Sand
- Laminated filter
- Residential up to 189 m²
- Side Version
- 4 skus from 10 to 32 m³/h
- Valve included
- Stability
- Resistant
- Bolted cover

**KIT GLV / KIT GTV** ▶

- Sand
- Injected filter
- Residential up to 85 m²
- Side Version / Top Version
- 6 skus from 4.8 to 14 m³/h
- Valve included
- Stability
- Resistant
- No tools
- Threaded cover

**GLV / GTV SERIES** ▶

- Sand
- Injected filter
- Residential up to 85 m²
- Side Version / Top Version
- 6 skus from 4.8 to 14 m³/h
- Valve included
- Stability
- Resistant
- No tools
- Threaded cover

**S2 SERIES** ▶

- Sand
- Blown technology
- Residential up to 85 m²
- Side Version / Top Version
- 6 skus from 5 to 14 m³/h
- Valve included
- Stability
- Resistant
- Clamp cover

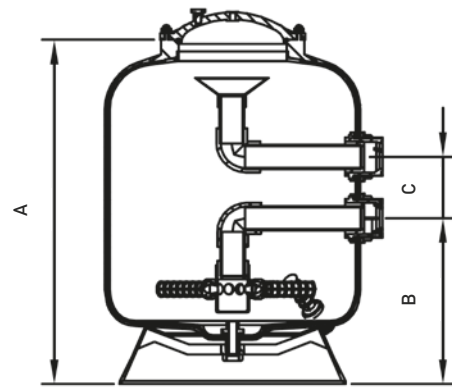




# BOBBIN-WOUND FILTER BK1 SERIES

THE EXTRA PERFORMANCE UNDER HARD CONDITIONS

- Sand
- Bobbin-wound filter
- Residential up to 180 m³
- Side Version
- 4 skus from 10 to 32 m³/h
- Valve included
- Stability
- Resistant
- Bolted cover



Transparent wide cover

- MADE IN EU
- PRO LINE
- 10 YEARS OF WARRANTY TANK
- 3 YEARS OF WARRANTY EQUIPMENT

- ➔ Long-lasting bobbin wound technology allows high pressures rates
- ➔ Reliable under the most exigent environments
- ➔ Transparent wide cover for easy maintenance
- ➔ Includes 6-way Vari-Flo™ valve
- ➔ Application: for residential or semi-commercial pools

Item	Ref.	Flow rate	Diameter Ø	In/Out	Filtration area	Empty weight	Sand	Vitrafil	Dimensions			Pallet qty.	Replacement valves
									A	B	C		
026005215161	BK1-500	10 m³/h	500 mm	1.5"	0.19 m²	22 kg	100 kg	80 kg	700 mm	337 mm	125 mm	2	Valve: SP0643SKR-LP Connections: 500200061200
026006215161	BK1-600	14 m³/h	600 mm	1.5"	0.28 m²	24 kg	150 kg	120 kg	800 mm	382 mm	125 mm	2	
026007220161	BK1-750	21 m³/h	750 mm	2"	0.44 m²	29 kg	275 kg	220 kg	865 mm	397 mm	141 mm	2	Valve: SP0663SKR-LP Connections: 500200061300
026009020161	BK1-900	32 m³/h	900 mm	2"	0.63 m²	64 kg	450 kg	360 kg	950 mm	435 mm	141 mm	1	

Technical Specifications		
Max. water temp.	50° C	
Operating pressure	0.5 - 1.5 kg/cm²	
Max pressure	2.5 kg/cm²	
Test pressure	3.75 bar	
Filtration speed	50 m³/h/m²	
Tank / Laterals / Unions / Cover	Polyester+FG/ABS/ABS/PC	
Granulometry of filter media	0.4 - 0.8 mm	

# LAMINATED FILTER S1 SERIES

THE BEST ALTERNATIVE

- Sand
- Laminated filter
- Residential up to 189 m³
- Side Version
- 4 skus from 10 to 32 m³/h
- Valve included
- Stability
- Resistant
- Bolted cover



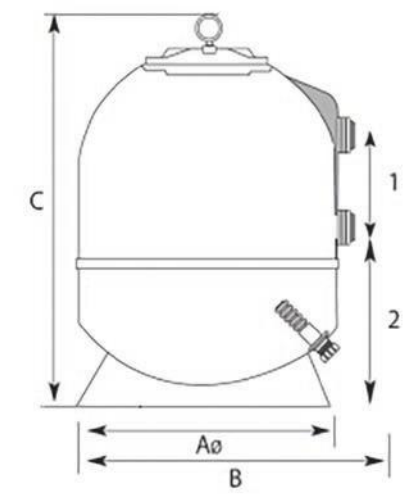
- MADE IN EU
- CLASSIC LINE
- 3 YEARS OF WARRANTY

- ➔ New Polyester filter: tank made of Polyester strengthened with glass fiber for even greater resistance
- ➔ Optimized hydraulics: laterals double layer on S1-800 and S1-900 filters for a reduced headloss
- ➔ Filtering capacity: 40 - 50 microns
- ➔ For residential pools up to 189 m³
- ➔ Side multiport valve and pressure gauge equipped
- ➔ Perfect stability thanks to its base

Item code	Reference	Ø (mm)	Flow m³/h	Connections	Filtration area m²	Laterals qty	Laterals type	Sand (0.4 - 0.8 mm) kg	Vitrafil kg	Multiport valve incl.
S1-500SIDE	S1-500	500	10	1" 1/2	0,20	8	140	100	80	NCX07020
S1-600SIDE	S1-600	600	15	1" 1/2	0,28	8	200	150	120	NCX07020
S1-800SIDE	S1-800	800	25	2"	0,50	16	8-140 / 8-200	350	280	NCX07021
S1-900SIDE	S1-900	900	32	2"	0,64	16	200	450	360	NCX07022

Dimensions (mm)				
Ref.	B	C	1	2
S1-500SIDE	760	820	167	330
S1-600SIDE	930	855	165	375
S1-800SIDE	1175	1020	210	490
S1-900SIDE	1375	1120	205	575

Technical Specifications		
Max. water temp.	50° C	
Operating pressure	0.5 - 1.5 kg/cm²	
Maximum working pressure	1.6 kg/cm²	
Test pressure	3.5 kg/cm²	
Tank / Laterals / Unions / Cover	Polyester + FG / ABS / PVC / ABS + FG	
Granulometry of filter media	0.4 - 0.8 mm	





# GLV / GTV KIT

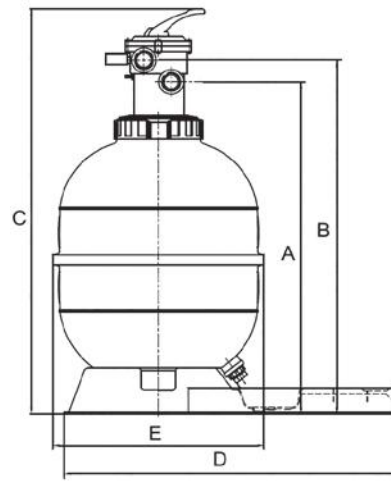
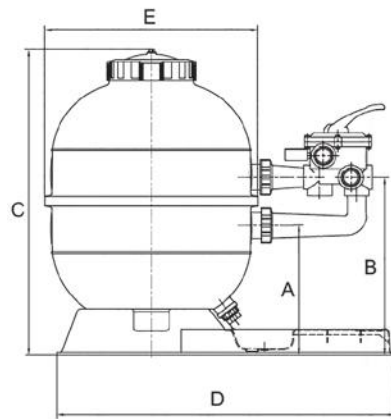
ALL-IN-ONE

-  Sand
-  Injected filter
-  Residential up to 85 m³
-  Side Version
-  Top Version
-  6 skus from 4.8 to 14 m³/h
-  Valve included
-  Stability
-  Resistant
-  No tools
-  Threaded cover



Complete filter units with Ondina's pump and lateral valve

Complete filter units with Ondina's pump and top valve



**MADE IN EU**

**CLASSIC LINE**

**5 YEARS OF WARRANTY TANK**

**3 YEARS OF WARRANTY EQUIPMENT**

Composed by:

- ➔ GLV or GTV series filter
- ➔ With top or side mounted valve
- ➔ Vari-Flo™ 6-way valve and unions
- ➔ Pressure gauge included
- ➔ Pump, options Ninfa or Ondina
- ➔ Connection between pump and filter
- ➔ For pools up to 85 m³












Code	Ref.	Filter Ø	Connection	Pump	Flow rate (m³/h) @ v(m³/h/m²)		Sand (kg)	Vitrafil (kg)	Weight (kg)	Vol. (m³)	Pallet qty.
					40	50					
020541103323	GLVN 400-33	400	1.5"	NK 33	4.8	6	50	40	18.8	0.242	4
020551207123	GLVO 500-71	500	1.5"	OK 71	7.6	9.5	100	80	25.5	0.349	4
020561210023	GLVO 600-100	600	1.5"	OK 100	11.2	14	125	100	28.5	0.488	4
020641102523	GTVN 400-33	400	1.5"	NK 33	4.8	6	50	40	17.8	0.242	4
020651207123	GTVO 500-71	500	1.5"	OK 71	7.6	9.5	100	80	25.5	0.349	4
020661210023	GTVO 600-100	600	1.5"	OK 100	11.2	14	125	100	28.5	0.488	4

Technical Specifications	
Max. water temp. / Max. pressure	50 °C / 1.6 bar
Maximum pressure	0.5 - 1.3 bar
Test pressure	2.5 bar
Connection	1.5"
Tank / Laterals / Unions / Cover	PP/PP/ABS/SAN®
Granulometry of filter material	0.4 - 0.8 mm

Ref.	Dimensions (mm)				
	A	B	C	D	E
GLVN 400-33	251	376	636	824	453
GLVO 500-71	331	456	795	824	553
GLVO 600-100	376	501	875	824	653
GTVN 400-33	706	766	907	824	453
GTVO 500-71	864	924	1065	824	553
GTVO 600-100	944	1004	1146	824	653

# GLV / GTV SERIES

THE SMART SOLUTION FOR EVERY POOL

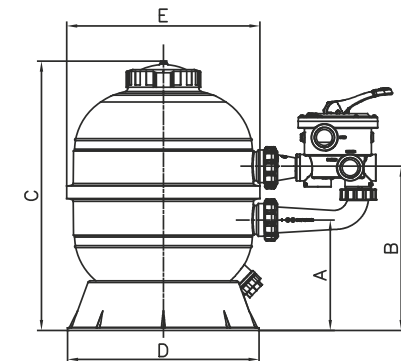
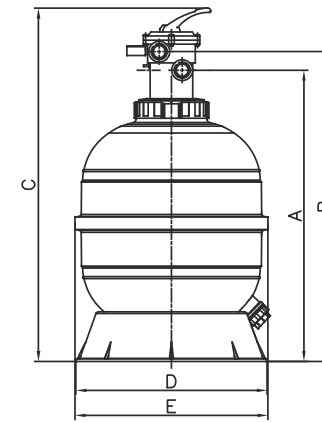
-  Sand
-  Injected filter
-  Residential up to 85 m³
-  Side Version
-  Top Version
-  6 skus from 4.8 to 14 m³/h
-  Valve included
-  Stability
-  Resistant
-  No tools
-  Threaded cover



Vari-Flo™ 6-way valve

Threaded opening ø 180 mm, to facilitate maintenance operations

Circular base, for perfect stability of the filter



**MADE IN EU**

**CLASSIC LINE**

**5 YEARS OF WARRANTY TANK**

**3 YEARS OF WARRANTY EQUIPMENT**

- ➔ Injected filters, unaffected by pool chemicals
- ➔ Complete range with top or side mounted valve
- ➔ Includes: Vari-Flo™ 6-way valve, unions and pressure gauge
- ➔ For pools up to 85 m³
- ➔ Wide opening for easy maintenance

Code	Ref.	Connection	Filtration area (m²)	Flow rate (m³/h) @ v(m³/h/m²)		Sand (kg)	Vitrafil (kg)	Weight (kg)	Vol. (m³)	Pallet qty.
				40	50					
020141142123	GLV 400	1.5"	0.13	4.8	6	50	40	10.5	0.17	8
020151142123	GLV 500	1.5"	0.19	7.6	9.5	100	80	12.5	0.25	4
020161142123	GLV 600	1.5"	0.28	11.2	14	125	100	15.5	0.35	4
020241362123	GTV 400	1.5"	0.13	4.8	6	50	40	10	0.17	8
020251362123	GTV 500	1.5"	0.19	7.6	9.5	100	80	12	0.25	4
020261362123	GTV 600	1.5"	0.28	11.2	14	125	100	15	0.35	4

Technical Specifications	
Max. water temp.	50 °C
Operating pressure	0.5 - 1.3 bar
Maximum pressure	2.5 bar
Connection	1.5"
Tank / Laterals / Unions / Cover	PP/PP/ABS/SAN®
Granulometry of filter material	0.4 - 0.8 mm

Ref.	Dimensions (mm)				
	A	B	C	D	E
GLV 400	256	381	641	458	453
GLV 500	335	460	798	458	553
GLV 600	381	506	881	458	653
GTV 400	710	770	912	458	453
GTV 500	867	927	1069	458	553
GTV 600	950	1010	1151	458	653



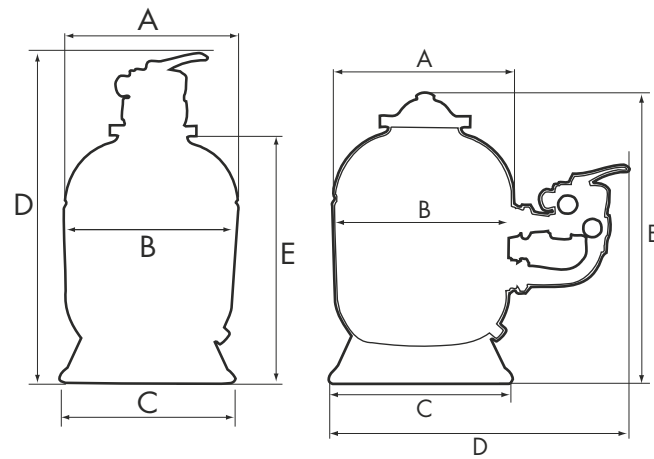
# S2 SERIES

ROBUST AND RELIABLE

-  Sand
-  Blown technology
-  Residential up to 85 m³
-  Side Version
-  Top Version
-  6 skus from 5 to 14 m³/h
-  Valve included
-  Stability
-  Resistant
-  Clamp cover



CLASSIC LINE  
3 YEARS OF WARRANTY



- ➔ Robust: Its high-density polyethylene structure is weather-resistant and unaffected by water treatment products. Made of hard-wearing resin
- ➔ S2 sand filters provide very fine filtration of 40 to 50 microns
- ➔ Available in different sizes, ranging from 5 to 14 m³/h, side or top versions
- ➔ Anti-corrosion tank, suitable for outdoor installations
- ➔ Patented system of retractable collector arms: the collector arms easily fold back thanks to their ingenious design, making maintenance of your sand filter easier

Drain with plug that also serves as a dismantling tool



Vari-Flo™ 6-way valve



Ref.	Flow rate (m³/h)	Filtration area (m²)	Sand (kg)	Vitrafil (kg)	I/O
<b>FILTERS S2 TOP</b>					
S2-350TOP	5	0.10	25	20	1"1/2
S2-400TOP	6	0.13	50	40	1"1/2
S2-500TOP	10	0.20	100	80	1"1/2
S2-600TOP	14	0.28	150	120	1"1/2
<b>FILTERS S2 SIDE</b>					
S2-500SIDE	10	0.20	100	80	1"1/2
S2-600SIDE	14	0.28	150	120	1"1/2

Technical Specifications	
Max. water temperature	40°C
Operating pressure	0.5 - 1.3 bar
Maximum pressure	3.5 bar
Connection	1.5"
Tank	Blown polyethylene, suitable for saltwater
Granulometry of filtration media	0.4 - 0.8 mm

Dimensions	A	B	C	D	E
<b>FILTERS S2 TOP</b>					
S2-350TOP	368 mm	358 mm	371 mm	805 mm	545 mm
S2-400TOP	401 mm	391 mm	371 mm	858 mm	598 mm
S2-500TOP	511 mm	500 mm	521 mm	989 mm	729 mm
S2-600TOP	612 mm	594 mm	521 mm	1097 mm	837 mm
<b>FILTERS S2 SIDE</b>					
S2-500SIDE	510 mm	498 mm	521 mm	825 mm	810 mm
S2-600SIDE	612 mm	594 mm	521 mm	875 mm	920 mm

# VITRAFIL

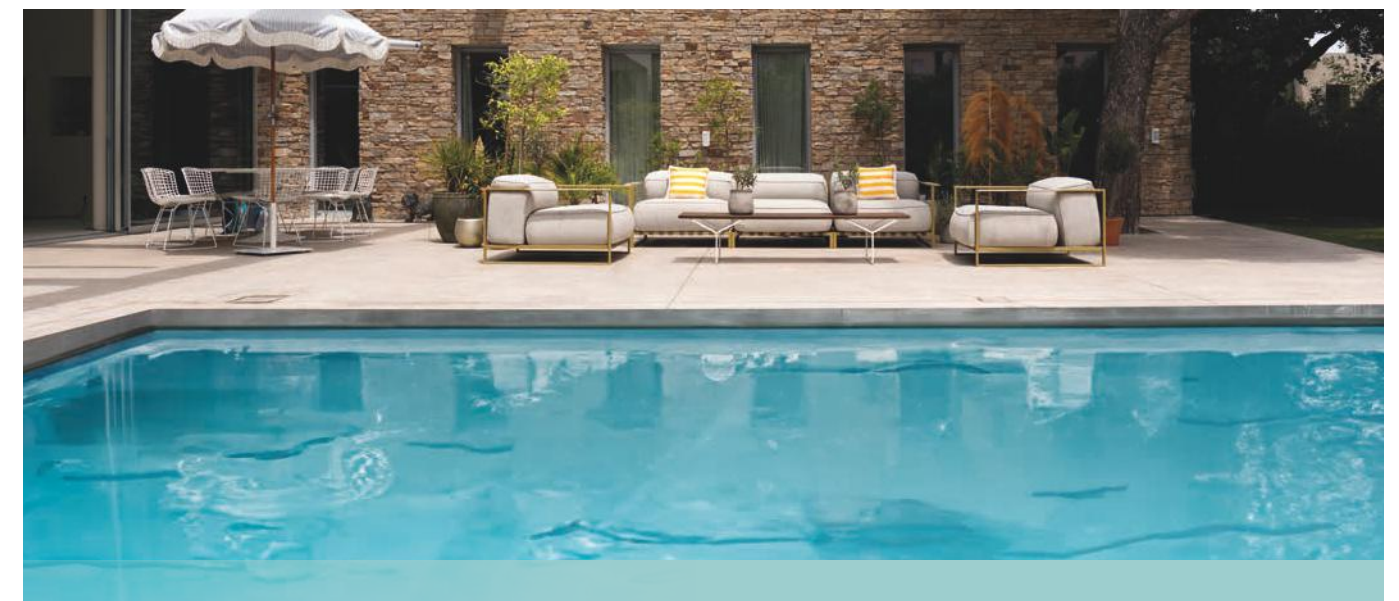
GLASS ACTIVE FILTER MEDIA



- ➔ Does not generate biofilm, no agglomeration, avoids forming preferential paths. Only one single granulometry for all the filters sizes
- ➔ Extremely hard-wearing. 100-year lifetime
- ➔ No changes required on the sand filter to use it
- ➔ Reduces consumption of chemicals by up to 50% and the time taken for backwashing, saving water
- ➔ Certified by Bureau Veritas, 100% free of impurities, clean water right from the start

Code	Ref.	Packaging	Quantity	Granulometry Ø (mm)	Weight (kg)	Vol. (m³)
260400002000	VAF	Bag	20	0,6	20,1	0,024
260400100000	VAF2	Pallet	1 000	0,6	1000	1

Description	Technical glass, precision-calibrated for industrial water treatment.
Composition	SiO <sub>2</sub> (74%) / Na <sub>2</sub> O (11%) / CaO (10%) / MgO (3%) / Al <sub>2</sub> O <sub>3</sub> (1%)
Properties	Loss on ignition at 1000°C ≤ 0.1%, abrasion resistance test in immersed state (1000 hours) ≤ 0.1%
Density	Density: 2490 kg/m³.- Bulk density: 1335 kg/m³.
Precautions	Check the status of the collector. Ideally, replace it. Do not ingest.
Incompatibilities	None identified.
Installation	Once the filter bed has been replaced, carry out a 5-minute backwash before starting filtration.
Recommendations	<ul style="list-style-type: none"> <li>• When substituting silica sand, add 20% less glass by weight.</li> <li>• Maximum permissible flow rate:.....90 m³/h/m²</li> <li>• Rated flow rate:.....between 10 and 50 m³/h/m²</li> <li>• Critical point for backwashing:.....18 m³/h/m²</li> <li>• Optimum flow rate for backwashing:.....30 m³/h/m²</li> <li>• Optimum air injection rate:.....40m³/h/m²</li> </ul>





# VALVES

## VARI-FLO™ VALVES



- ➔ A robust, hard-wearing valve
- ➔ Proven efficiency
- ➔ 6-way: 6 functions: filtration, backwashing, rinsing, draining (drainage position), circulation (without filtration) and shutoff
- ➔ Also includes an air release



Vari-Flo™ valve SP0719SKR-LP (unions sold separately)



Vari-Flo™ Side valve SP0663SKR-LP



Vari-Flo™ Top valve SP0643TE



Vari-Flo™ Side valve SP0643SKR-LP

Filter Family	Former model	V641	V643	SP0719SKR-LP	V6T41	V6T43	SP0714TE	V663	V661	Unions needed
	New model	-	SP0643SKR-LP	SP0719SKR-LP	SP0641TE	SP0643TE	SP0714TE	SP0663SKR-LP	V661	
	Weight (kg)	1,75	1,75	1,75	2	3	-	3,3	3	
	Vol. (m³)	0,009	0,009	0,009	0,017	0,025	-	0,016	0,016	
	Filter size	1,5" side	1,5" side	1,5" side	1,5" top	1,5" top	-	2" side	2" side	

S2 Series Side	All			•						SP0719PAK6IN
S2 Series Top	All							•		--
GLV Series	All			•						500201300013
GTV Series	All				•					500201300013
Granada Side	All		•							500201300013
Granada Top	All					•				--
Artik Side	≤ 640									SPX0719PAK6R
Artik Side	> 640			•						500200061100
Artik Top	All				•					--
Artik Evo	≤ 640			•						SPX0719PAK6R
Artik Evo	> 640							•		500200061100
Balear BR / BL Series	≤ 640			•						SPX0719PAK6R
Balear BR / BL Series	> 640							•		500200061100
Cordoba BC Series	640			•						SPX0719PAK6R
Cordoba BC Series	760/800							•		500200061100
San Sebastian Series	All							•		500200061100
BK1 Series	≤ 600		•							500200061200
BK1 Series	> 600							•		500200061300
CASETAS 1,5" until 2020	All	•								--
CASETAS 1,5" SINCE 2021	All				THE ONE CORRESPONDANT TO THE FILTER MODEL					--
CASETAS 2"	All							•		--

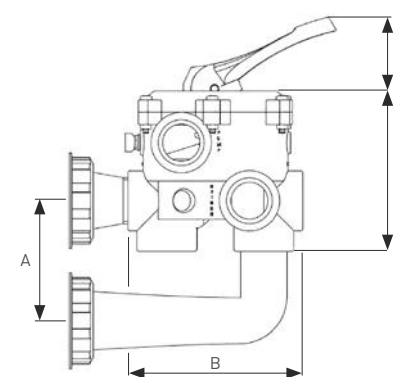


For the valves of filter **S1 Series**, please refer to the product page:

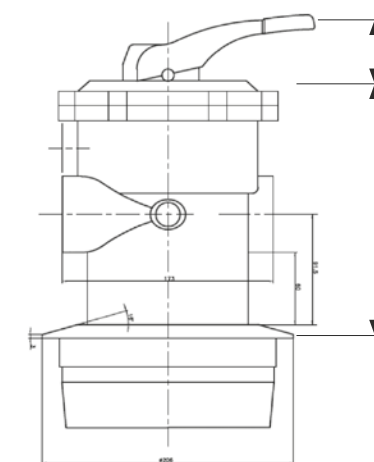
see page 43



Ref.	Dimensions (mm)			
	A	B	C	D
400	125	176	167	84,5
520	125	176	167	84,5
640	125	176	167	84,5
680	125	230	210	84,5
760	140	230	210	84,5
900	140	230	210	84,5
400 TOP	-	173	225	84,5
520 TOP	-	173	225	84,5
640 TOP	-	173	225	84,5



Side valve



Top valve



# WHY IS IT IMPORTANT TO CHOOSE WHITE GOODS CAREFULLY?

White goods are an essential part of water circulation and lighting functions. It is very important to choose them with care as they are integrated into the pool and therefore contribute to its durability. Make sure you think about this factor before choosing an option. Amongst our various ranges of skimmers, fittings, lights, main drains etc., you will therefore find the components that are best suited to your pool, regardless of the construction material used (Liner, Concrete, Fibreglass or Panel pools).



# WHITE GOODS AND LIGHTS

## POSITION OF WHITE GOODS

Description	Pool dimensions - Measurements and Quantities								
A - Length	8	9	10	10	11	12	12	13	15
B - Width	4	4	4	5	5	5	6	6	7
VOL m <sup>3</sup> ~	50	60	65	75	85	90	105	120	160
SK: skimmer	1	2	2	2	2	3	3	3	4
R: return fittings	2	3	3	3	3	4	4	4	6
BF: main drain	1	1	1	1	1	1	1	1	1 o 2
PB: vacuum fitting, or for automatic cleaning	1	1	1	1	1	1	1	1	1
P: light	1	2	2	2	2	2	2	3	4

## THE BASICS

Skimmers	Very wide range. Modern, robust design.
Metal inserts	Assembly in under 10 minutes. No maintenance required.
Counter-Current equipment	Hydro therapy accessories. Can be installed in all types of pools.



Liner



Concrete



Metal inserts



Panel

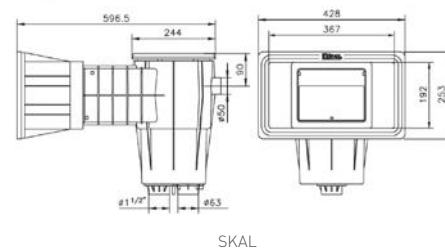
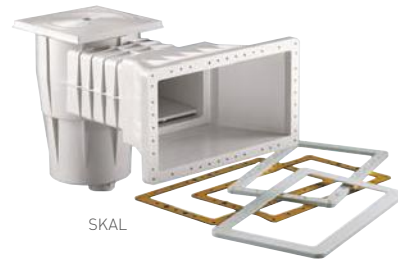
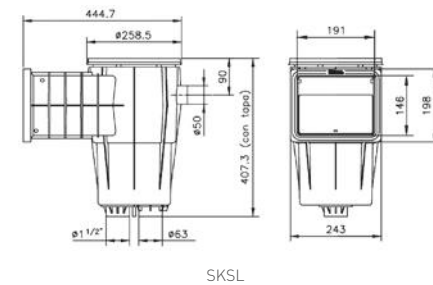
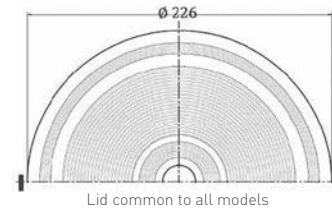
SKIMMER	52
INLET, FITTINGS AND MAIN DRAINS	53
INFINITY POOL GRATINGS	56
COUNTER-CURRENT EQUIPMENT	58
COUNTER-CURRENT NOZZLES KIT	59
RGB AND WHITE FLAT LED LIGHTS	60
LED LIGHTS	61
ACCESSORIES FOR LIGHTING	61



# SKIMMER



- ➔ Available for liner, fibreglass and concrete
- ➔ Made of white injected ABS, UV protection treatment
- ➔ Inlet connection 1.5" or 63 mm (5 m<sup>3</sup>/h or 7.5 m<sup>3</sup>/h)
- ➔ Overflow connection ø 32 mm
- ➔ According to EN 16582-1 and EN 16713-2



Code	Ref.	Frame	Type of pool	Type of mouth	Connection (ø)	Stainless steel insert	Weight (kg)	Vol. (m <sup>3</sup> )	M.O.Q**
06011010000	SKS	Square	Concrete	Standard	1 1/2" - 63 mm	--	3.3	0.046	1
06011110000	SKA	Square	Concrete	Wide	1 1/2" - 63 mm	--	3.8	0.105	1
06011020000	SKSL	Square	Liner	Standard	1 1/2" - 63 mm	--	6	0.046	1
06011030000	*SKSLI	Square	Liner	Standard	1 1/2" - 63 mm	Yes	6	0.046	1
06011120000	SKAL	Square	Liner	Wide	1 1/2" - 63 mm	--	6.5	0.105	1
06011130000	*SKALI	Square	Liner	Wide	1 1/2" - 63 mm	Yes	6.5	0.105	1

\* Models with inserts and screws in stainless steel 304, specific to reinforced liners.

\*\* (minimum order quantity)

## VERTICAL EXTENSION FOR SKIMMERS



VERTICAL EXTENSION

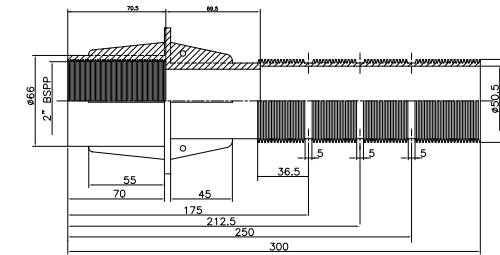
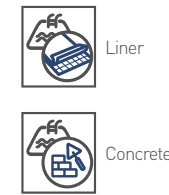
- ➔ This element is used to adjust the height of the skimmer, so that it is flush with the pool edge
- ➔ For concrete, liner or fibreglass pools

Code	Model	Height (mm)	ø internal (mm)	ø external (mm)
06019000000	EXT	126	215/210	224/218

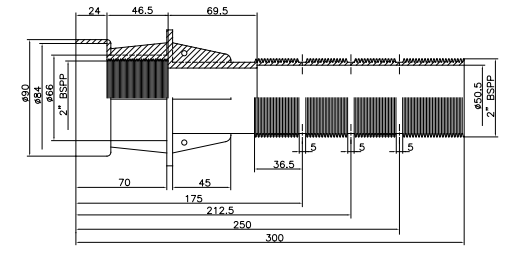
# INLET, FITTINGS AND MAIN DRAINS



## POOL BASIN EQUIPMENT / MADE OF WHITE INJECTED ABS



PM51



PM52

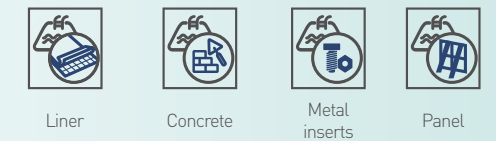
## WALL CONDUITS

Code	Ref.	Type of pool	Length (mm)	Connect. tube side ø	Connect. return fitting side ø	Weight (kg)	Vol. (m <sup>3</sup> )	M.O.Q**
060700001000	PM 51	Concrete	300	2" - 50	2"	3	0.04	12
060700001100	PM 52	Liner	300	2" - 50	2"	3	0.04	12

\*\* (minimum order quantity)

## RETURN FITTINGS

- ➔ Available for liner, fibreglass and concrete
- ➔ Made of white injected ABS, UV protection treatment
- ➔ According to EN 16582-1 and EN 16713-2



Code	Ref.	Type of pool	Flow rate l/h	Outlet (mm)/Standard	Connection (ø)	Weight (kg)	Vol. (m <sup>3</sup> )	M.O.Q**	
060500206400	BOF 20	Concrete	5000	20	63 (PN10)	1.2	0.01	4	slip
060500205100	BOF 21	Concrete	5000	20	50 / 40 mm	1.2	0.01	4	slip
060500142000	BOR 14	Concrete	3000	14	2" / 50 mm	1.3	0.01	4	screw-on
060500202000	BOR 20	Concrete	5000	20	2" / 50 mm	1.3	0.01	4	screw-on
060500242000	BOR 24	Concrete	7000	24	2" / 50 mm	1.3	0.01	4	screw-on
060500302000	BOR S	Concrete	7000	EN 13451	2" / 50 mm	1.3	0.01	4	screw-on
060501142000	BOL 14	Liner	3000	14	2" / 50 mm	1.3	0.01	4	screw-on
060501202000	BOL 20	Liner	5000	20	2" / 50 mm	1.3	0.01	4	screw-on
060501242000	BOL 24	Liner	7000	24	2" / 50 mm	1.3	0.01	4	screw-on
060501302000	BOL S	Liner	7000	EN 13451	2" / 50 mm	1.3	0.01	4	screw-on
060502142000	BOLI 14	Liner	3000	14	2" / 50 mm	1.3	0.01	4	screw-on
060502202000	*BOLI 20	Liner	5000	20	2" / 50 mm	1.3	0.01	4	screw-on
060502242000	*BOLI 24	Liner	7000	24	2" / 50 mm	1.3	0.01	4	screw-on
060502302000	*BOLI S	Liner	7000	EN 13451	2" / 50 mm	1.3	0.01	4	screw-on
060502312000	*BOLI SF	Liner	7000	EN 13451	2" / 50 mm	1.3	0.01	4	screw-on

\* Models with inserts and screws in stainless steel 304, specific to reinforced liners.

\*\* (minimum order quantity)



BOF



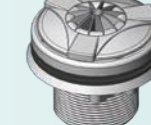
BOR



BOR S



BOL



BOL SF



BOL SF

KRIPSOL® PUMPS & ELECTRICAL CABINETS FILTERS WHITE GOODS AND LIGHTS CLEANERS HEATING SANITIZATION POOL SURROUNDING EQUIPMENT PVC ACCESSORIES CONDITIONS OF SALE



## RETURN BOTTOM NOZZLES FOR CONCRETE, POLYESTER OR LINER



- ➔ Regulable flow from 0% to 100%
- ➔ White ABS, UV protected
- ➔ According to EN 16582-1 and EN 16713-2



Liner



Concrete



BIF



BIFL

Code	Ref.	Type of pool	Flow rate	Adjustment	Connection (Ø)	Weight (kg)	Vol. (m³)	qty/box
060510002000	BIF	Concrete	12000	0 - 100%	2" / 50 mm	2.5	0.005	2
060511002000	BIFL	Liner	12000	0 - 100%	2" / 50 mm	0.8	0.003	2

## INLET NOZZLES FOR CONCRETE, POLYESTER OR LINER

- ➔ Designed to install in the pool wall
- ➔ White ABS, UV protected
- ➔ According to EN 16582-1
- ➔ Grid Ø 162 mm
- ➔ For flow rates equal or greater at 45 m³ / h, install 2 inlets



Liner



Concrete



Panel



BAH / BAL

Code	Ref.	Type of pool	Connection(Ø)	Weight (kg)	Vol. (m³)	qty/box
062630100000	BAH	Concrete	63 mm / 2.5"	0.3	0.001	1
062630300000	BAL	Fiberglass or Liner	63 mm / 2.5"	0.3	0.001	1

## VACUUM FITTINGS

- ➔ White ABS, UV protected
- ➔ According to EN 16582-1 and EN 16713-2



Liner



Concrete



Metal inserts

Code	Ref.	Type of pool	Vacuum connection, poolside, Ø 1 1/2"	For adapter model	Plug	Tubing connection (Ø)	Weight (kg)	Vol. (m³)	M.O.Q**
060600020000	BLRR	Concrete	Screw-on	RCR38	Thread 1 1/2"	2" / 50 mm	1.5	0.01	4
060610020000	BLL	Liner	Screw-on	RCR38	Thread 1 1/2"	2" / 50 mm	1.5	0.01	4
060620020000	*BLLI	Liner	Screw-on	RCR38	Thread 1 1/2"	2" / 50 mm	1.5	0.01	4
060600150000	BLRE	Concrete	Screw-on	RCR38	Thread 1 1/2"	50 / 40 mm	1.5	0.01	4
060600164000	BFRE	Concrete	Screw-on	RCR38	Thread 1 1/2"	63 (PN10)	1.2	0.01	4

\* Models with inserts and screws in stainless steel 304, specific to reinforced liners.

\*\* (minimum order quantity)



BLRR



BLRE



BLLI (view of base detail)



BLL



BFRE

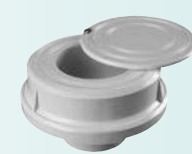
Code	Ref.	Type of pool	Vacuum connection, poolside, Ø 1 1/2"	For adapter Model	Plug	Tubing connection (Ø)	Weight (kg)	Vol. (m³)	M.O.Q**
060601020000	BLPR	Concrete	Pressure	RCP38	Rotating lid	2" / 50 mm	1.6	0.01	4
060601150000	BLPE	Concrete	Pressure	RCP38	Rotating lid	50 / 40 mm	1.6	0.01	4

\* Models with inserts and screws in stainless steel 304, specific to reinforced liners.

\*\* (minimum order quantity)



BLPR



BLPE

## MAIN DRAINS FOR RESIDENTIAL POOLS Ø 200 mm



- ➔ For newly built pools, it is recommended to install at least 2 drains 1 m or more apart. If one of these two drains is blocked, the other must be able to take the complete bottom flow
- ➔ For renovations, if the previous recommendations are not fulfilled, use the anti-vortex lid ATT
- ➔ Recommended suction flow ≤ 0,5 m/s
- ➔ According to EN 16582-1
- ➔ According to EN 16713-2 when using the 1,5" bottom connection



Liner



Concrete



Metal inserts



SRP



SRPL



INSERTS



ATT



RCD

Code	Ref.	Type of pool	Flow rate l/h	Connection (Ø)	Weight (kg)	Vol. (m³)	M.O.Q**
060201000000	SRP	Concrete	13000	2" side/1,5" bottom	3.5	0.044	1
060202000000	SRPL	Liner	13000	2" side/1,5" bottom	3.5	0.044	1
060203000000	*SRPLI	Liner	13000	2" side/1,5" bottom	3.5	0.044	1
060230000001	ATT (anti-vortex)	For SRP / SRPL / SRPLI (RCD)	--	--	--	--	1
060230000000	RCD	Grating and faceplate for concrete	--	--	0.3	--	1

\* Models with inserts and screws in stainless steel 304, specific to reinforced liners.

\*\* (minimum order quantity)

## GUTTER DRAIN



Concrete

- ➔ According to EN 16582-1
- ➔ Rectangular plastic grating, fixed with stainless steel screws
- ➔ Drainage for overflow systems or wall as an additional support to skimmers

Code	Ref.	Type of pool	Flow rate l/h	Connection (Ø)	Rejilla (mm)	Weight (kg)	Vol. (m³)	M.O.Q**
060700000000	BTS	Concrete	7000	63 mm	142*69	1.2	0.005	1

\*\* (minimum order quantity)



BTS

## LEVEL REGULATION

- ➔ Automatically replenishes the water lost to filter washing, to evaporation, etc.
- ➔ Square frame and round lid, identical to skimmer elements

Code	Ref.	Internal connection (Ø)	External connection (Ø)	Weight (kg)	Vol. (m³)	M.O.Q**
061400000000	RGP	3 / 8"	50	6	0.074	1

\*\* (minimum order quantity)



RGP



# INFINITY POOL GRATINGS

## MODULAR GRATING



- ➔ Made of polypropylene with UV-resistant treatment
- ➔ According to EN 13451-1
- ➔ 55 elements = 1 metre
- ➔ The modular elements, connect under applied pressure without adhesive

Code	Ref.	Height A (mm)	Width B (mm)	Elements / box	Weight (kg)	Vol. (m³)	M.O.Q**
061010202000	NMR2020	20	195	378	8.2	0.053	1
061010252000	NMR2520	20	245	324	8.5	0.053	1
061010302000	NMR3020	20	295	297	8.8	0.053	1
061011202000	NMC2020	20	195	378	7.7	0.053	1
061011252000	NMC2520	20	245	324	8	0.053	1
061011302000	NMC3020	20	295	297	8.5	0.053	1
061010203400	NMR2034	34	195	351	8.3	0.053	1
061010253400	NMR2534	34	245	297	8.7	0.053	1
061010303400	NMR3034	34	295	270	9.4	0.053	1
061011203400	NMC2034	34	195	351	7.8	0.053	1
061011253400	NMC2534	34	245	297	8.2	0.053	1
061011303400	NMC3034	34	295	270	9	0.053	1

\*\* (minimum order quantity)

## CORNER PIECE FOR INFINITY POOLS

Polyester reinforced with fiberglass, white, nonslip finish

Code	Ref.	Thickness mm (A)	Width mm (B)	Angle	Weight (kg)	Vol. (m³)	M.O.Q**
060990202000	RR200	20	195	90°	2.7	0.006	1
060990252000	RR250	20	245	90°	3.4	0.009	1
060990302000	RR300	20	295	90°	4.6	0.012	1
060990203400	RR201	34	200	90°	3.1	0.009	1
060990253400	RR251	34	250	90°	4.1	0.013	1
060990303400	RR301	34	300	90°	5.1	0.018	1
060945202000	RS200	20	200	45°	1.8	0.006	1
060945252000	RS250	20	250	45°	2.3	0.009	1
060945302000	RS300	20	300	45°	2.8	0.012	1
060945203400	RS201	34	200	45°	1.9	0.009	1
060945253400	RS251	34	250	45°	2.5	0.013	1
060945303400	RS301	34	300	45°	3.1	0.018	1

\*\* (minimum order quantity)



RS

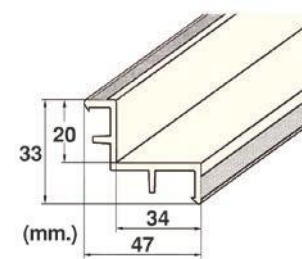


RR

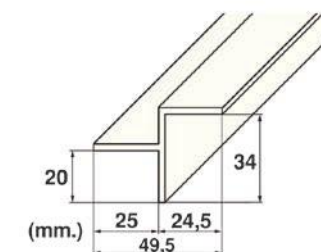
## GRATING SUPPORT PROFILE

Code	Ref.	Length / unit (mm)	Weight (kg)	Vol. (m³)	qty / box	M.O.Q**
061220000000	MP200	2000	18	0.096	35	1
061220100000	MP201	2000	18	0.096	35	1
061250100000	MP20T	2000	30	0.096	35	1

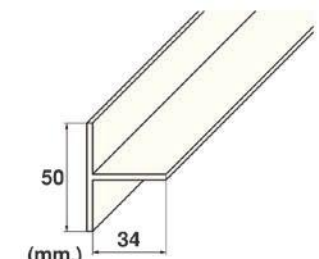
\*\* (minimum order quantity)



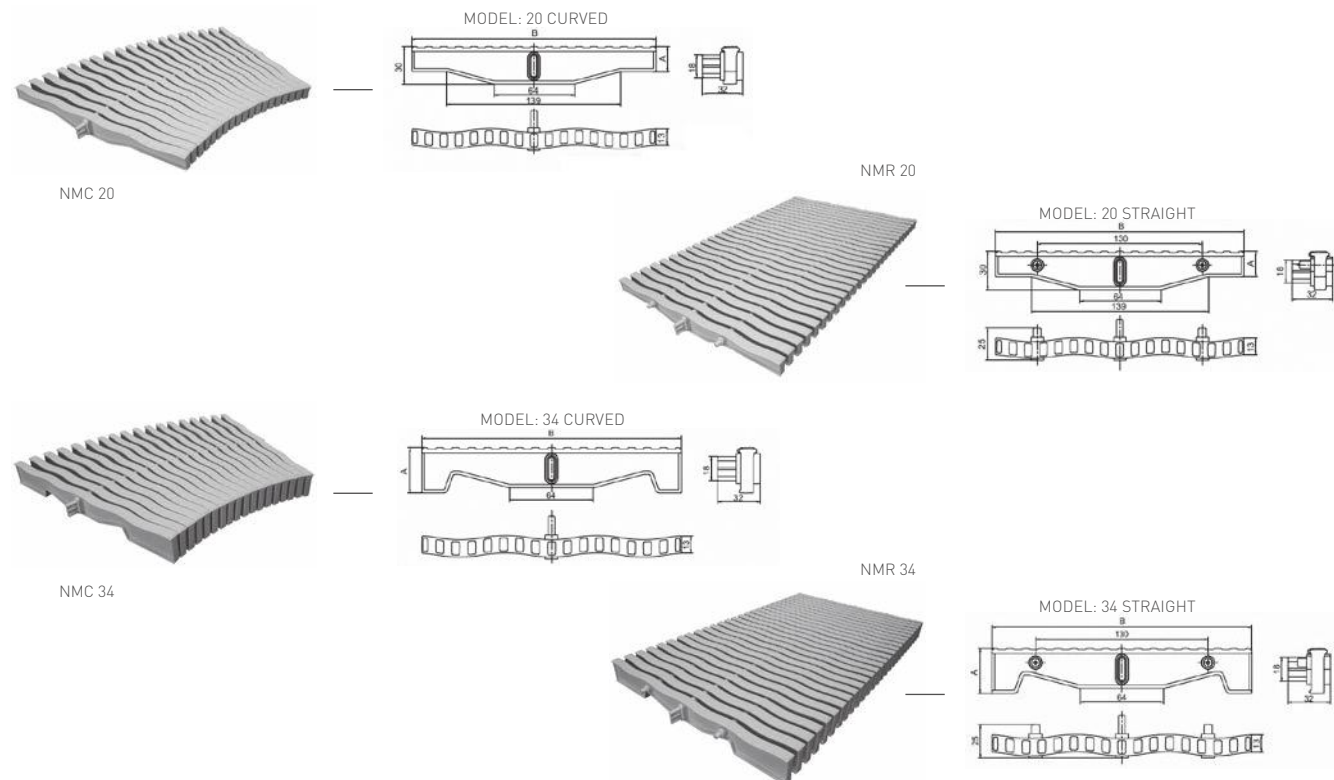
MP200



MP201



MP20T





# COUNTER-CURRENT EQUIPMENT



3 YEARS OF WARRANTY

- ➔ Easy installation, white ABS
- ➔ Different flow rates vary the effort required to swim against the current
- ➔ Equipped with: Front panel (Sena or Calipso), directional return fitting  $\varnothing$  40 mm, recess with check valve and air pipes, electropump, electropneumatic control with automatic reset, complete kit in PVC (pipes not included)
- ➔ Can be used with concrete and liner



SENA SERIES HIDROJET - JS complete assembly kit: Hidrojet + K-Power electrical panel

CALIPSO SERIES HIDROJET - JC complete assembly kit: Hidrojet + K-power electrical panel



Liner

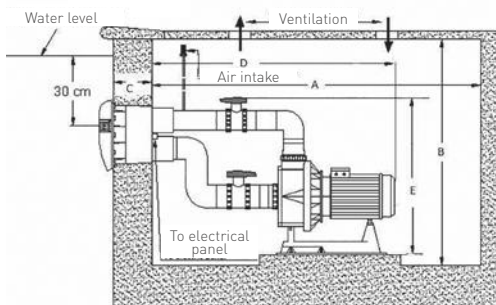


Concrete

Code	Ref.	Composition				P2 hp	P1 kW	Installation clearances			Weight (kg)	Vol. (m <sup>3</sup> )	M.O.Q **	
		Type of face-plate	Recesses for hydro massage jets	Electronic cabinet	Pump model			Width (mm)	Length (mm)	Height (mm)				
062211150000	JC 40	JC1 062200002001	*JSL2 062100003000	K-POWER 230V NCC 16A 0805KPOWSWIM230	KA 250M 011121120110	2.50	2.30	750	1420	1000	32.8	0.184	1	-
062231150000	JC 45	JC1 062200002001	*JSL2 062100003000	K-POWER 230V NCC 16A 0805KPOWSWIM230	KA 300M 011131220110	3.00	2.76	750	1420	1000	32.8	0.184	1	-
062241450000	JC 46	JC1 062200002001	*JSL2 062100003000	K-POWER 400V NCC 16A 0805KPOWSWIM400	KA 300T1 IE3 011131459110	3.00	2.76	750	1420	1000	32.8	0.184	1	IE3 ✓
062251450000	JC 70	JC1 062200002001	*JSL2 062100003000	K-POWER 400V NCC 16A 0805KPOWSWIM400	KA 350T1 IE3 011141029110	3.50	3.26	750	1570	1000	36.8	0.184	1	IE3 ✓
062261550000	JC 78	JC1 062200002001	*JSL2 062100003000	K-POWER 400V NCC 16A 0805KPOWSWIM400	KA 450 T1 IE3 011141129110	4.50	4.04	750	1580	1000	36.8	0.184	1	IE3 ✓
062271550000	JC 88	JC1 062200002001	*JSL2 062100003000	K-POWER 400V NCC 16A 0805KPOWSWIM400	KA 550T1 IE3 011141559110	5.50	4.71	750	1580	1000	43.8	0.184	1	IE3 ✓
062011150000	JS 40	JS1 062000002001	*JSL2 062100003000	K-POWER 230V NCC 16A 0805KPOWSWIM230	KA 250M 011121120110	2.50	2.30	750	1420	1000	32.8	0.184	1	-
062031150000	JS 45	JS1 062000002001	*JSL2 062100003000	K-POWER 230V NCC 16A 0805KPOWSWIM230	KA 300M 011131220110	3.00	2.76	750	1420	1000	32.8	0.184	1	-
062041450000	JS 46	JS1 062000002001	*JSL2 062100003000	K-POWER 400V NCC 16A 0805KPOWSWIM400	KA 300T1 IE3 011131459110	3.00	2.76	750	1420	1000	32.8	0.184	1	IE3 ✓
062051450000	JS 70	JS1 062000002001	*JSL2 062100003000	K-POWER 400V NCC 16A 0805KPOWSWIM400	KA 350T1 IE3 011141029110	3.50	3.26	750	1570	1000	36.8	0.184	1	IE3 ✓
062061550000	JS 78	JS1 062000002001	*JSL2 062100003000	K-POWER 400V NCC 16A 0805KPOWSWIM400	KA 450 T1 IE3 011141129110	4.50	4.04	750	1580	1000	36.8	0.184	1	IE3 ✓
062071550000	JS 88	JS1 062000002001	*JSL2 062100003000	K-POWER 400V NCC 16A 0805KPOWSWIM400	KA 550T1 IE3 011141559110	5.50	4.71	750	1580	1000	43.8	0.184	1	IE3 ✓

\*\* (minimum order quantity)

\* Can be used with concrete and liner. Includes joints.



## ACCESSORIES

### ➔ Piezoelectric Pushbutton Switch

Code	Reference
980000000040	PPE Pushbutton



Material	Stainless steel AISI 316, bright polished finish. Screwless faceplate
Supply	1 - 24 V AC/DC
Current	0.200 A
ON-Resistance	< 20 OHMS
OFF-Resistance	> 5 OHMS
Activation force	3 - 5 N
Reaction time	125-300 ms
Operating and storage temperatures	-40°C a + 125°C

## COUNTER-CURRENT NOZZLES KIT

- ➔ Counter-current nozzles kit comprising: counter-current nozzle, suction fitting, pushbutton nozzle for air intake.
- ➔ Made of white ABS
- ➔ Easy installation



Liner

Concrete

Panel



Code	Ref.	Type of pool	Connection Return fitting (mm)	Intake Connection	Composition			Weight (kg)	Vol. (m <sup>3</sup> )	M.O.Q**
					Suction fitting	Pushbutton fitting	Air intake			
062610100000	KCH	Concrete	$\varnothing$ 50	63 mm / 2 1/2"	BAH 062630100000	BPH 062640200000	BTAH 062640100000	2.1	0.009	1
062610200000	KCP	Fibreglass	$\varnothing$ 50	63 mm / 2 1/2"	*BAL 062630300000	BPL 062650300000	BTAL 062640300000	2.1	0.009	1
062610300000	KCL	Liner	$\varnothing$ 50	63 mm / 2 1/2"	*BAL 062630300000	BPL 062650300000	BTAL 062640300000	2.1	0.009	1
062630100000	BAH WALL INLET	Concrete	-	63 mm / 2.5"	-	-	-	0.3	0.001	1
062630300000	BAL WALL INLET	Fibreglass or Liner	-	63 mm / 2.5"	-	-	-	0.3	0.001	1
062640100000	BTAH AIRFLOW REGULATION WITH SOCKET	Concrete	-	-	-	-	-	0.3	0.001	1
062640300000	BTAL AIRFLOW REGULATION WITH SOCKET	Fibreglass or Liner	-	-	-	-	-	0.3	0.001	1
062640200000	BPH PNEUMATIC PUSHBUTTON WITH SOCKET	Concrete	-	-	-	-	-	0.3	0.001	1
062650300000	BPL PNEUMATIC PUSHBUTTON WITH SOCKET	Fibreglass or Liner	-	-	-	-	-	0.3	0.001	1

\* Includes joints and screws

\*\* (minimum order quantity)

KRIPSOL®  
PUMPS & ELECTRICAL CABINETS  
FILTERS  
WHITE GOODS AND LIGHTS  
CLEANERS  
HEATING  
SANITIZATION  
POOL SURROUNDING EQUIPMENT  
PVC ACCESSORIES  
CONDITIONS OF SALE



# RGB AND WHITE FLAT LED LIGHTS

SIMPLIFY YOUR LIGHTING AND INSTALLATION WITH THE FLAT LED LIGHT

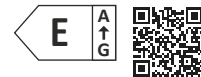


3 YEARS OF WARRANTY

## COMPATIBLE WITH ALL POOL TYPES

- ➔ Easy installation. Can simply be mounted on the pool wall with no need for a niche
- ➔ All mounting components are supplied with the item
- ➔ Total light thickness, 40 mm
- ➔ Ideal for new construction
- ➔ Two skus available for 1.5" nozzle / 2" wall in let

Description	061611181000	061611181020	061611183000	061611183020
Consumption in W			18 W	
Alimentation	12V- / 20 V-		12V-	
Number Leds		252	800	
Lumens	1600		800	
Scatter angle		120°		
White / RGB	Cool white (6500K)		RGB	
LED technology	CrystaLogic®		ColorLogic® [16 programs, synchronisation, memory]	
Application	Vinyl - Concrete - Panel	Wall inlet 1,5" and 2"	Vinyl - Concrete - Panel	Wall inlet 1,5" and 2"
Plastic body	KRIPSOL®			
Radio Frequency			No	
Remote Control			No	
Energy Efficiency	This pool light contains an 81486 removable LED bulb with a E energy rating		The EU2019/2015 and EU2019/2020 regulations do not apply to this RGB light	



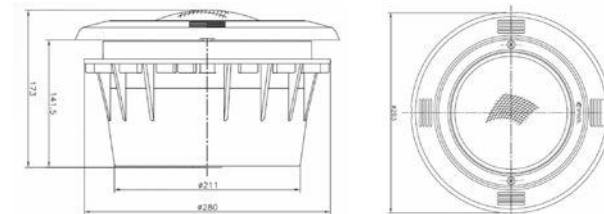
# LED LIGHTS

WHITE AND RGB PAR56 LED LIGHT



MADE IN EU

3 YEARS OF WARRANTY



- ➔ Recess, bulb holder and faceplate in white ABS. Light attachment - recess with two A2 stainless steel screws. Cable gland and conduit connection in M20.
- ➔ "M"-assembled models with cables and conduits, and unassembled models (cable and conduit not supplied)
- ➔ Safety: the range is compliant with all European lighting regulations.
- ➔ Energy savings. The maximum electricity consumption is 16 W for the RVB LED light and 13 W for the White model, so around 6 times lower than conventional lights. Expected lifespan = 30 000 hours.

	061511113200 PHBM 13	061521113200 PLBM 13	061512113200 PHCM 13	061522113200 PLCM 13
Consumption in W	13W		16 W	
Alimentation	12V- / 20 V-			
Number Leds	60		90	
Lumens	1450		600	
Scatter angle	120°			
White / RGB	Cool white (6500K)		RGB	
LED technology	CrystaLogic®		ColorLogic® [16 programs, synchronisation, memory]	
Application	Concrete	Vinyl / Panel	Concrete	Vinyl / Panel
Plastic body	Kripsol®			
Radio frequency	No		Yes (included)	
Remote control	No		Yes (included)	
Specification	Assembled lights with cable (2x1,5mm) and conduit included			
Energy Efficiency	This pool light contains an ALP01 removable LED bulb with a D energy rating		The EU2019/2015 and EU2019/2020 regulations do not apply to this RGB light.	



3 YEARS OF WARRANTY

# ACCESSORIES FOR LIGHTING

Code	Ref.	Section	Ø external (mm)	Voltage drop VA / km	Weight (kg)	Vol. (m³)	M.O.Q**
890120150301	*MG 100	2 x 1.5 mm² cable	8.2	--	0.6	--	1
061300003200	PCF 20	Conduit M20x3/4"			0.5	0.006	1
061300002000	CX	Junction box			1.7	0.01	1

\* Extra-flexible hose.  
\*\* (minimum order quantity)



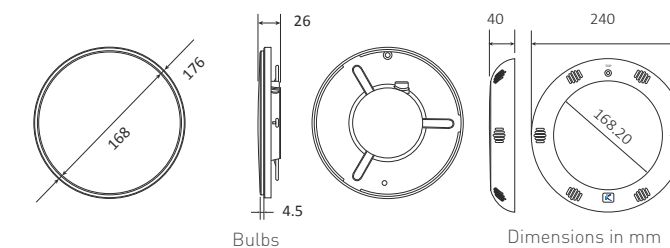
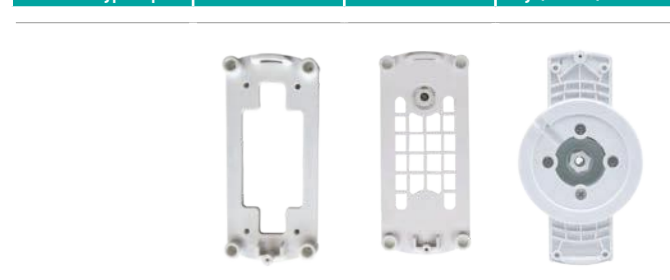
## MG 100 CABLE FOR SPOTLIGHT

Standard UNE 21123. Resistant to: bad weather, immersion in water and grease, oils and hydrocarbons. Insulation: comprising Type II flexible P.V.C.. Conductor: copper wire certified as class 5 as per standard UNE 21022. Covering: comprising flexible P.V.C. modified with ACN-type NBR Nominal voltage 0.6/1 kV.

## ADAPTERS: 1.5" nozzle / 2" wall in let



FITTINGS: Type of pool



KRIPSOL®  
PUMPS & ELECTRICAL CABINETS  
FILTERS  
WHITE GOODS AND LIGHTS  
CLEANERS  
HEATING  
SANITIZATION  
POOL SURROUNDING EQUIPMENT  
PVC ACCESSORIES  
CONDITIONS OF SALE



# SIMPLICITY AND EFFICIENCY

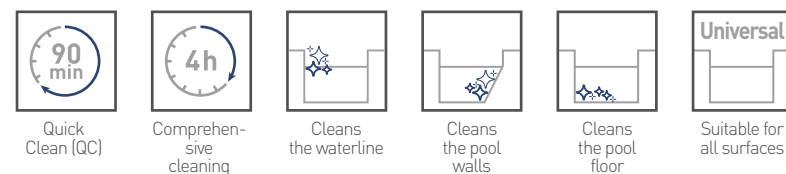
Atlantis Evo answers to the most demanding needs, with its selection of functions for cleaning the bottom of the pool, the walls and waterline, using highly reliable, tried-and-tested technology, free of complications.



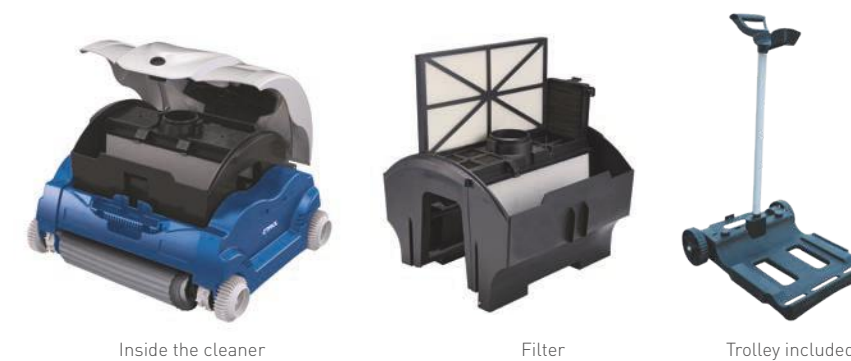
## ATLANTIS EVO

ELECTRIC CLEANER, 2-IN-1 HIGH PERFORMANCE

PRO LINE  
3 YEARS OF WARRANTY



- ➔ Cleans the bottom, walls or waterline of your pool
- ➔ Robot suitable for all types of surfaces (foam roller at the front, brushes roller at the back)
- ➔ Simple maintenance. No bag, no hose!
- ➔ Fast and simple cleaning
- ➔ Suitable for concrete, reinforced liner, fibreglass, tiled lining



Top access to filter panel for simple maintenance. The filter panel is easy to remove, easy to clean and easy to replace.

### Technical Specifications

Operation cycles	90 min/4 hours
Economy setting	Quick Clean
Motor unit	24 V
Filter surface area	7420 cm <sup>2</sup>
Weight	12.35 kg
Speed of movement	16.76 m/min
Intake flow rate	17 m <sup>3</sup> /h
Cable	17 m
Autonomy calculator	Yes
Electricity supply	220 V - 50-60 Hz
Trolley	Included
For in-ground pools up to	6 x 12 m

Code	Intake flow rate	Cable (m)	EAN13	Weight (kg)
113501030000	17 m <sup>3</sup> /h	17	0610377340519	12,35



# WHY SHOULD YOU INSTALL A HEAT PUMP?

Kripsol® has incorporated IN-TECH "full inverter" technology into its range of heat pumps to create the model i-Komfort RC. This model combines a DC Inverter fan and compressor. A combination that is capable of the best comfort/energy consumption ratio through heating power adjustment and precise regulation of the desired water temperature, as a function of the outside weather constraints and whether the pool is covered or not.



**NEW**

A connected product, thanks to the Wi-Fi module (optional)



**Heat pump configurator available on our website:** this online tool will allow you to choose the right model according to the constraints of the pool and its environment.













I-KOMFORT RC

68



# I-KOMFORT RC

## FULL INVERTER TECHNOLOGY

-  Full Inverter
-  Reversible
-  For inground pool
-  Frontal
-  Works up to -7°C
-  Wi-Fi module optional
-  Digital display
-  R32
-  Silent
-  Automatic defrosting

IN-Tech is the combination of a high-performance CPS Mitsubishi Inverter compressor, and a DC technology Inverter fan. This combination allows precise regulation and adjustment of power levels as weather conditions and the energy requirements of the pool change. The power adjustment is continuous and is not restricted to 2 or 3 power levels such as the step converter.

A rapid rise in temperature is obtained, along with precise and economical stability of the temperature throughout the season.



- ➔ Robust and quiet performance
- ➔ Reversible (Heating/Cooling/Auto)
- ➔ Defrosting by reverse cycle
- ➔ Heating priority function
- ➔ For use at temperatures as low as -7°C
- ➔ Winter cover included
- ➔ Anti-vibration pads (4) and drain connector (1) included
- ➔ Wi-Fi module as an option: manage your heat pump i-Komfort RC from your mobile phone



### Wi-Fi Module (optional) HW26100050



[▶ Tutorial](#)

### THE BENEFITS

- The module was given a name, Smart Box, and an attractive visual to make it easy to identify and promote.
- Simplicity to pair up regardless of operating system (IOS or Android).
- Improved connection performance.
- Ease of remote control of the heat pump via your Smartphone.
- Possible diagnosis of your heat pump by the after-sales service, as it can take control via the Wi-Fi module.
- More additional functions available soon!



Wall mount kit 20 m (optional) HWX29400053



LED Touch screen

Description	Unit	i-Komfort RC 700A	i-Komfort RC 900A	i-Komfort RC 1200A	i-Komfort RC 1700A
Power supply	-	220V-240V ~/1ph/50Hz			
Refrigerant fluid	-	R32			
Global warming potential	GWP	675			
Mass of refrigerant	kg	0.35	0.43	0.48	0.60
Carbon dioxide equivalence <sup>(1)</sup>	tCO <sub>2</sub> eq	0.24	0.29	0.32	0.41
Heating power range Air 27°C - Hr <sup>(2)</sup> 78% - Water 26°C	kW	1.62-- <b>7.33</b>	2.18-- <b>8.97</b>	1.97-- <b>11.66</b>	3.81-- <b>17.45</b>
Electrical power input	kW	0.15--1.17	0.17--1.54	0.16--1.99	0.30--3.07
Input current	A	1.15--5.32	1.27--6.91	1.08--8.96	1.45--13.48
Coefficient of performance	COP	11.04--6.30	12.77--5.81	12.57--5.84	12.49--5.69
Heating power range Air 15°C - Hr <sup>(2)</sup> 71% - Water 26°C	kW	1.44--5.36	1.58--6.94	1.79--8.62	2.98--13.63
Electrical power input	kW	0.24--1.14	0.27--1.53	0.29--1.90	0.44--2.90
Input current	A	1.67--5.32	1.58--6.86	2.50--8.62	2.03--12.76
Coefficient of performance	COP	5.98--4.69	5.82--4.53	6.17--4.52	6.75--4.69
Nominal water flow	m <sup>3</sup> /h	3.1	3.8	4.9	7.5
Hydraulic head loss	kPa	2.3	2.9	6.4	7.2
Hydraulic connection supplied	mm	50			
Sound pressure level @1 m (min. - max.)	dB(A)	38-46	37-45	34-49	43-46
Sound pressure level @10 m (min. - max.)	dB(A)	20-29	19-28	16-31	26-29
Circuit breaker	type	D			
Circuit breaker	A	8	10	16	20
Cable size (for 25 m)	type	3G2.5			
Number of fan(s)	-	1			
Fan speed range	rpm	500--700	500--650	600--750	600--900
Fan speed (Silent mode)	rpm	300	400	500	500
Type of compressor	brand	Mitsubishi			
Reversible heat pump	-	Yes			
Defrost mode	-	By reverse cycle			
Silent mode	-	Yes			
Winter cover (included)	-	HWX84100258		HWX84100259	
Heating priority function	-	Yes			
Anti-vibration pads	-	Included			
User interface	-	LED One touch 3.5"			
L x W x H <sup>(3)</sup>	mm	1040 x 425 x 615			1130 x 460 x 780
Weight	kg	42	45	46	60
Recommended pool volume <sup>(4)</sup>	m <sup>3</sup>	≤ 29	≤ 36	≤ 47	≤ 70
Barcode	EAN13	3660149614086	3660149614154	3660149614161	3660149614178

(1) Carbon dioxide equivalence (expressed per tonne of CO<sub>2</sub> equivalent) is a quantity that describes, for a given mixture and amount of greenhouse gas, the amount of CO<sub>2</sub> that would have the same global warming potential (GWP), when measured over a specified timescale (generally, 100 years).

(2) Humidity.

(3) Net dimensions of the entire unit.

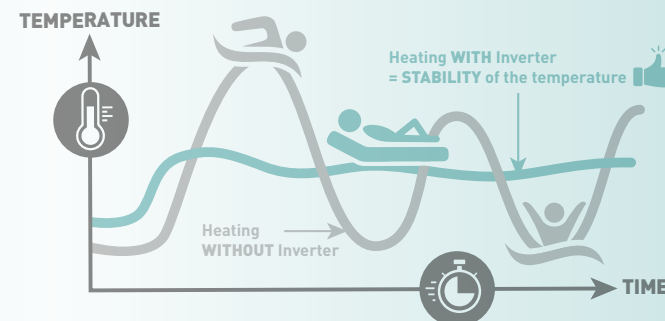
(4) For pools equipped with a heat retention cover during use from May to September.

## ACCESSORIES

Description	Ref.
Wi-Fi module: conversion Kit for Inverter heat pumps >2021	HWX29400225
Wi-Fi module for Komfort and Komfort RC heat pump	HW26100051
Extension cable for Inverter remote display: 10m	HWX20000340232
Extension cable for Inverter remote display: 20m	HWX20000340264
Plug for condensate drain pan	HWX20000220374
Complete water coupling 1.5"	HWX20000130097

## IN-TECH FULL INVERTER TECHNOLOGY

IN-Tech is the combination of a high-performance CPS Mitsubishi Inverter compressor, and a DC technology Inverter fan. A rapid rise in temperature is obtained, along with precise and economical stability of the temperature throughout the season, with up to **30%** energy savings in comparison to a on / off heat pump.



KRIPSOL® PUMPS & ELECTRICAL CABINETS FILTERS WHITE GOODS AND LIGHTS CLEANERS HEATING SANITIZATION POOL SURROUNDING EQUIPMENT PVC ACCESSORIES CONDITIONS OF SALE



# PUTTING SWIMMING POOL MANAGEMENT INTO THE PALM OF YOUR HAND

Kripsol® is betting on connectivity with KLX Control System, and its low salinity version.

## KLX Control System – it's more than a salt chlorinator!

Real-time display and remote control of water parameters, programming and control of filtration and lighting. And all this from any smartphone, tablet or computer connected to the Internet, thanks to the "MyKripsolPool" platform. A free application developed exclusively for Kripsol®. Control your pool remotely!

We also offer a new salt chlorinator, simple and easy to use, KLB, and a range of chemical regulation products. These dosing pumps ensure autonomous regulation of pH, ORP, ORP in association with an salt chlorinator. They can be combined (pH and ORP) to obtain a complete regulation and dosing solution.



# WATER TREATMENT

KLX AND KLX LS	70
KLB	72
POOL-LT, POOL-PH, POOL-RX & POOL-RX SOCKET	73
ACCESSORIES	73
FLOWMETERS	74
METERS	74

SANITIZATION



# KLX AND KLX LS

SALT CHLORINATION AND CONTROL FOR RESIDENTIAL POOLS



Cl Production  
Display graphic  
Up to 50 W  
Filtration control



KLX LS

KLX



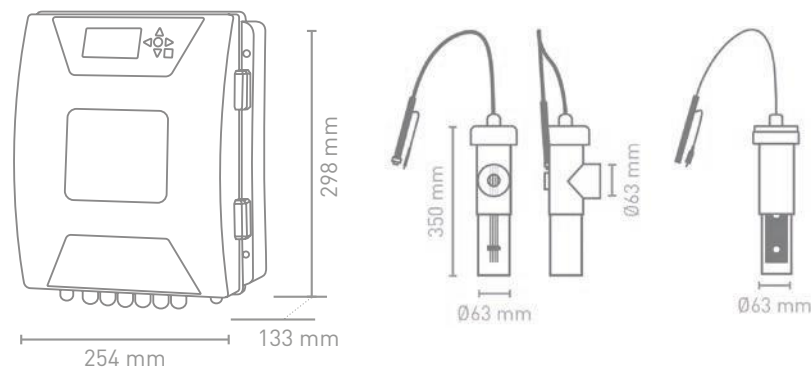
- ➔ Available in low salinity
- ➔ Compact device, suitable for use in underground technical equipment boxes
- ➔ Graphics display, displays production of Cl<sub>2</sub> and other parameters
- ➔ Wide range of outputs: 8, 16, 22, 33 and 50 g/h
- ➔ Timer switch for filtering and lighting (possible for lights up to 50W)
- ➔ Salt level alert
- ➔ Adaptable configuration: extension kits for pH, Rx, Temperature, Wi-Fi
- ➔ Swimming pool management App (requires Wi-Fi module)
- ➔ Controls the speed of variable speed pumps (KS EVO and KSE, variable speed version)
- ➔ Modbus RS485 protocol included
- ➔ Flow switch included



pH kit including dosing pump



Rx kit



## CONNECTIVITY MODULE OPTIONAL (Wi-Fi OR ETHERNET)

- ➔ Using our remote control modules, all our equipment can be connected via Wi-Fi or ethernet – from anywhere in the world
- ➔ Take the control of your pool by voice. Compatible with Alexa and Google Assistant
- ➔ Individual customers can monitor, control and adjust all pool components and parameters (control of chlorine production, filtration timing and lighting), no matter where they are in the world, using the application that has been developed exclusively by Kripsol: MyKripsolPool
- ➔ Pool maintenance professionals can control their fleet of pools, with no limitations and no need to visit the pools
- ➔ A pool will automatically generate statistics about its parameter history
- ➔ Pool maintenance equipment can send email alerts that have been configured in advance by customers

Private sphere: myaccount@gmail.com  
Europe sphere: myotheraccount@poolmaintenance.com

Description	KLX 8	KLX 16	KLX 22	KLX 33	KLX 50	KLX 1LS	KLX 2LS
Production (g/h)	8	16	22	33	50	-	-
Pool size up to (m <sup>3</sup> )	30	75	100	150	200	60	120
Salt concentration	3 to 100 g/l					1.5 to 100 g/l	
Display	Graphics display shows present production, cover, pH*, mV*, temp*						
Protection	IP65						
Language selection	GB - FR - SP - DE - IT - CZ - PT - NL - PL - HU - RU						
Superchlorination mode	•	•	•	•	•	•	•
Manual adjustment of Cl	•	•	•	•	•	•	•
Lighting management (supply up to 50W)	•	•	•	•	•	•	•
Filter pump / VSTD pumps management	•	•	•	•	•	•	•
Cover detection	•	•	•	•	•	•	•
Smart mode: adjustment of Cl	•	•	•	•	•	•	•
Gas detector	•	•	•	•	No	•	•
Flow Switch	•	•	•	•	•	•	•
Self-cleaning	Programmable up to 999 min						
Alarms	Low salt / no flow / pH (60 minutes)						
Control box dimensions	254 x 298 x 133						

## OPTIONS AVAILABLE

pH (with pump)	ORP	Wi-Fi	Ethernet	Temperature
09101900002	09101900001	RS4WI-OPTION-W	RS4NET-OPTION-L	09101900004

\* in option

KRIPSOL®  
PUMPS & ELECTRICAL CABINETS  
FILTERS  
WHITE GOODS AND LIGHTS  
CLEANERS  
HEATING  
SANITIZATION  
POOL SURROUNDING EQUIPMENT  
PVC ACCESSORIES  
CONDITIONS OF SALE



# KLB

## NEW GENERATION SALT CHLORINATOR



Cl- Production

Display graphic



- Salt chlorinator covering a wide range of chlorine production: 8, 16, 22, 33 and 50 g/h/cl
- Production configuration thanks to the LED display
- Transparent cell for visual checks on production
- Detection of presence of a pool cover for adjustment of chlorine production
- Flow detector kit included
- 9 levels possible of chlorine production

**Installation of the cell in piping**  
**Installation in a vertical position, on by-pass, at the highest point of the installations**

Description	091014080004	091014160004	091014220004	091014330004	091014500004
Production in	8 g/h	16 g/h	22 g/h	33 g/h	50 g/h
Chlorine production	9 levels possible				
Pool size up to	30 m <sup>3</sup>	75 m <sup>3</sup>	100 m <sup>3</sup>	150 m <sup>3</sup>	200 m <sup>3</sup>
Salt concentration	3 to 100 g/L				
Display	LED light				
Protection	IP 65				
Superchlorination mode	•	•	•	•	•
Manual adjustment of Cl (%)	•	•	•	•	•
Gas detector	•	•	•	•	No
Flow Switch	•	•	•	•	•
Cover detection	•	•	•	•	•
Closed pool cover detection	Yes				
Dimensions	400 x 400 x 210 mm				
Weight	9 kg	9 kg	10 kg	10 kg	10 kg
Alarm	Salt level / flow				

# POOL-LT, POOL-PH, POOL-RX & POOL-RX SOCKET

## A NEW GENERATION OF CHEMICAL REGULATION



- Easy maintenance
- Large range of chemical regulation:
  - Basic pH regulation
  - Automatic pH regulation
  - Automatic ORP Redox regulation
  - ORP regulation: output for external control of chlorine production (dry contact and power supply)
  - ORP Redox regulation connected to a salt chlorinator
- Possibility to combine pH and ORP Redox regulation for a complete solution



	Pool-LT	Pool-pH	Pool-Redox*	Pool-Redox Socket*
Item	0907KPOOLPHLT	0907KPOOLPH	0907KPOOLRX	0907KPOOLRXSKT
Description	Pump for reading and regulation pH	Pump for reading and regulation pH	Pump for reading and regulation Redox (mV)	Pump for reading Redox and control electrolysis system
Weight (kg)	1,8	1,8	1,8	1,8
Flow / Pressure	1,5 L / 1 bar	1,5 L / 1 bar	1,5 L / 1 bar	-
Display	Red digital	Red digital	Red digital	Red digital
pH range of use	6,0 - 8,0	6,0 - 8,0	-	-
Redox range of use	-	-	300 - 800	300 - 800
pH calibration	1 point pH7	1 point pH7	-	-
Redox calibration	-	-	1 point 468 mV	1 point 468 mV
Protection	IP65	IP65	IP65	IP65
Power supply	230 V 50-60 Hz	230 V 50-60 Hz	230 V 50-60 Hz	230 V 50-60 Hz
Alarms	Yes	Yes	Yes	-
SW fonction	Constant dosification	Alarm 60 min Constant dosification with proportional dosing mode programmable	Alarm 75 min. Constant dosification with proportional dosing mode programmable	Can supply and control 1 salt electrolysis system
Included in packaging	pH probe - Probe holder Buffer solution - Collar	pH probe - Probe holder - Buffer solution - Level probe - Collar	Redox probe - Probe holder - Buffer solution - Level probe - Collar	Redox probe - Probe holder Buffer solution - Collar

\* We advise you to install a pH regulator with a Redox regulator

## ACCESSORIES

### DOSING STORAGE CONTAINERS

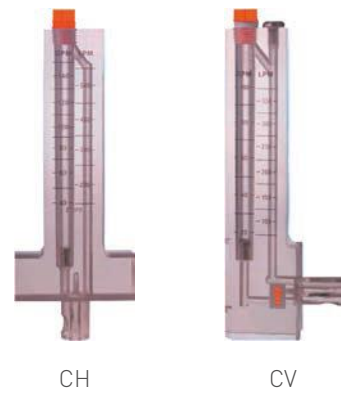


Code	Ref.	Capacity (L)	Weight (kg)	Vol. (m <sup>3</sup> )	M.O.Q**
099500500000	DD 50	50	3	0,055	1
099501000000	DD 100	100	5	0,1	1
099502500000	DD 250	230	10	0,2	1
099503500000	DD 350	335	-	-	1

\*\* (minimum order quantity)



# FLOWMETERS



3 YEARS OF WARRANTY

- ➔ Simple installation
- ➔ A single piece of transparent methacrylate
- ➔ AISI 316 float level sensor
- ➔ Scale engraved onto the material
- ➔ Precision +/-8%
- ➔ Temperature 80 °C
- ➔ Pressure 10 bar
- ➔ Two options possible: horizontal models (CH) and vertical models (CV)

Code	Ref.	Pitot tube Ø mm	Piping Ø	Flow rate m³/h		Weight (kg)	Vol. (m³)	qty/box
				MIN	MAX			
214001015000	CH 15	15	50	50	350	0,3	0,0002	1
214001020000	CH 20	15	63	100	475	0,3	0,0002	1
214001025000	CH 25	15	75	150	700	0,3	0,0002	1
214001030000	CH 30	15	90	200	850	0,3	0,0002	1
214001040000	CH 40	15	110	600	1800	0,4	0,0003	1
214002015000	CV 15	15	50	100	450	0,3	0,0002	1
214002020000	CV 20	15	63	175	675	0,3	0,0002	1

# METERS

## MULTI-JET WATER METERS

- ➔ Nominal flow rates from 1.5 to 10 m³/h
- ➔ Measurement class B. Magnetic transmission
- ➔ CE certified
- ➔ Cold water 40 °C and hot water 90 °C
- ➔ Maximum pressure 16 bar
- ➔ Horizontal installation
- ➔ Includes connectors
- ➔ Possible to integrate a reed switch pulse emitter, compatible with any remote reading system



MADE IN EU  
3 YEARS OF WARRANTY

No contractual photo

Code	Ref.	DN (mm)	Connection Ø	Nominal flow rate (m³/h)	Weight (kg)	Vol. (m³)	qty/box
214101025000	CA 25	25	1 1/4"	6	1.5	0.0022	1
214101030000	CA 30	30	1 1/2"	10	2	0.0035	1
214101040000	CA 40	40	2"	16	2.1	0.0035	1
214101020001	EIA			Impulse emissions "reed"			1

# TANGENTIAL IMPELLER WATER METERS



3 YEARS OF WARRANTY

Protected by epoxy coating. The meter is a dry dial protected by a casing and a sealable brass lid. Possible to integrate a reed switch pulse emitter, compatible with any remote reading system

- ➔ Nominal flow rates from 15 to 400 m³/h
- ➔ Diameters from 50 to 300 mm
- ➔ Horizontal or vertical installation
- ➔ For cold water up to 50 °C
- ➔ Maximum pressure 16 bar
- ➔ Measurement class A

Code	Ref.	Connection Ø	Length (mm)	Flow rate (m³/h)		Weight (kg)	Vol. (m³)	qty/box
				MIN	MAX			
214102020000	CP 20	50 / 2"	200	1,2	30	11	0,0013	1
214102025000	CP 25	65 / 2 1/2"	200	2	50	13	0,0031	1
214102030000	CP 30	80 / 3"	225	3,2	80	15	0,0045	1
214102040000	CP 40	100 / 4"	250	4,8	120	19	0,0065	1
214102050000	CP 50	125 / 5"	250	8	200	24	0,0085	1
214102060000	CP 60	150 / 6"	300	12	300	30	0,013	1
214102080000	CP 80	200 / 8"	350	20	500	48	0,022	1
214102020001	EIP			Impulse emissions "reed"				1

## WOLTMANN METERS

- ➔ Nominal flow rates from 50 to 500 m³/h
- ➔ Diameters from 50 to 300 mm
- ➔ Installed horizontally or vertically or at an angle
- ➔ CE certified
- ➔ Measurement class B
- ➔ For cold water up to 50 °C
- ➔ Maximum pressure 16 bar
- ➔ Possible to integrate a reed switch pulse emitter, compatible with any remote reading system
- ➔ Direct totalising on numbered counters



3 YEARS OF WARRANTY

Code	Ref.	Connection Ø	Length (mm)	Flow rate (m³/h)		Weight (kg)	Vol. (m³)	qty/box
				MIN	MAX			
214103020000	CW 20	50 / 2"	200	0,45	30	10,2	0,0073	1
214103025000	CW 25	65 / 2 1/2"	200	0,75	50	11,2	0,0084	1
214103030000	CW 30	80 / 3"	225	1,2	80	14,1	0,0099	1
214103040000	CW 40	100 / 4"	250	1,8	120	19,4	0,0147	1
214103050000	CW 50	125 / 5"	250	3	200	20,5	0,017	1
214103060000	CW 60	150 / 6"	300	4,5	300	32,5	0,0287	1
214103080000	CW 80	200 / 8"	350	7,5	500	45	0,0461	1



# THE HARD-WEARING SOLUTION WITH A SPECIAL TOUCH

Our ladders add the finishing touch to your pool equipment with products that have unrivalled class, and be safe in the knowledge that they will withstand use over time. Opt for greater reassurance by installing our stainless steel products, the norm for the Kripsol® brand name, which exceed the expectations of our most discerning customers.



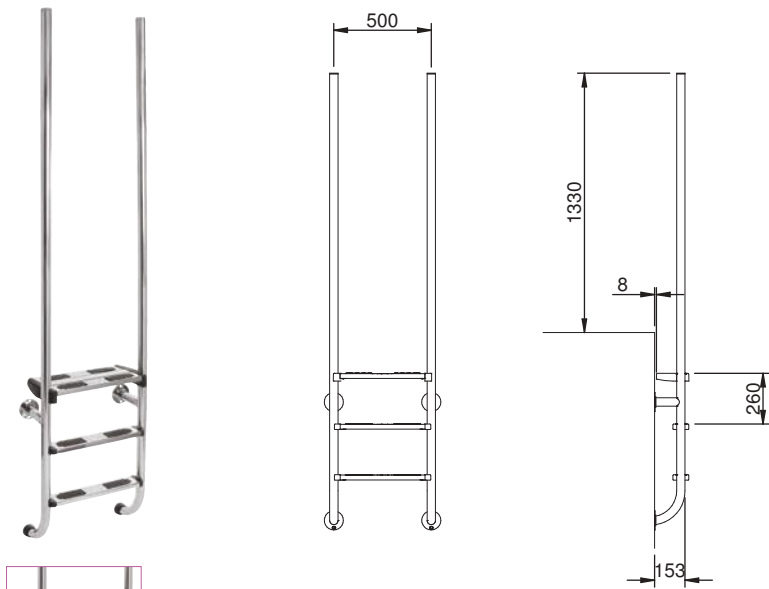
# POOL SURROUNDING EQUIPMENT

LADDERS	78
ACCESSORIES FOR LADDERS	83
SHOWERS	84
HANDRAILS	86
SAFETY EQUIPMENT	87
WATER FEATURES	88



# INGROUND SINGLE LADDERS

HARD-WEARING,  
WITH AN EXCEPTIONAL FINISH



Double safety step and non-slip pads in all the steps for a safe and comfortable user experience.  
Flange with three anchoring points for reliable fixing to the wall.

- Scala, the coolest design with the highest quality level
- The Scala ladder, with its clean and stylish design, has the distinguish look that shifts the swimming pool to a premium level. Made of AISI 316 stainless steel, D43 mm handrail, shiny polished finishing, includes a double first step and non-slip pad in all the steps for a safe and comfortable user experience. Designed according EN 16582-1. Three and four steps version available
- The ladder is supplied with stoppers, screws, anchors and rubber fleece for the flanges
- This model includes a sacrificial anode to reinforce its protection against corrosion

## → SCALA LADDERS

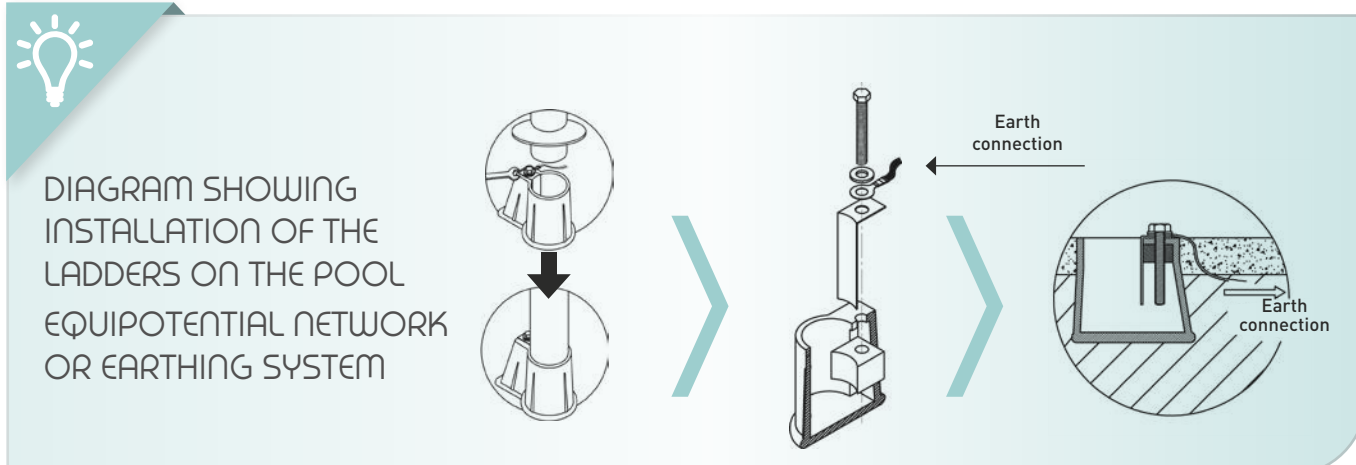
Code	Ref.	AISI stainless steel	No. steps	Weight (kg).	Vol. (m <sup>3</sup> )	qty/pallet	M.O.Q**	DIMENSIONS (mm)		
								Depth	Width	Height
070910330000F	IS3PHF	316L	2 + 1 DOUBLE	11,8	0,08	20	1	153	500	2315
070910340000F	IS4PHF	316L	3 + 1 DOUBLE	13,2	0,09	20	1	153	500	2565

\*\* (minimum order quantity)

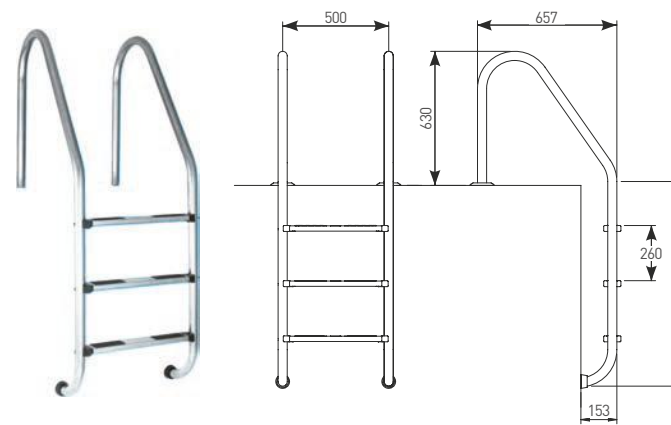
### Technical Specifications

Materials	Stainless steel with bright polished finish, AISI 316
Tubing diameter	Ø 43 mm
Includes	Non-slip steps, tubing plugs, anchors with earth connection, screws and escutcheon plates.

AISI 316 ladders include a sacrificial anode for improving the resistance against corrosion.



## → STANDARD LADDERS

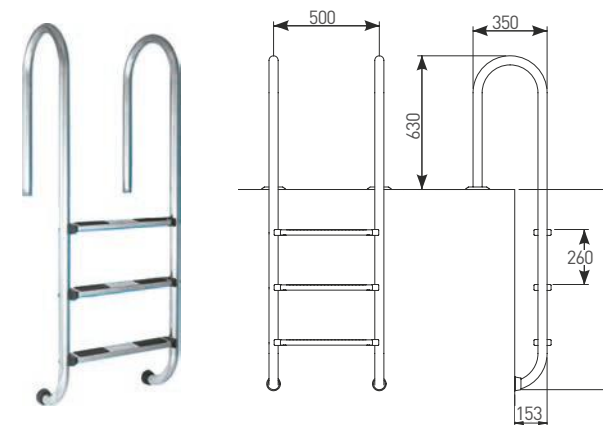


- Made of AISI 316 or AISI 304 stainless steel, D43 mm handrail, shiny polished finishing, includes non-slip pad in all the steps for a safe and comfortable use. Designed according EN 16582-1.
- Supplied with anchors -one of them with earth connection-, stoppers, screws and trims.
- The AISI 316 version of this model includes a sacrificial anode to reinforce its protection against corrosion.

Code	Ref.	AISI stainless steel	No. steps	Weight (kg).	Vol. (m <sup>3</sup> )	qty/pallet	M.O.Q**	DIMENSIONS (mm)		
								Depth	Width	Height
070101320000F	PI2HF	AISI 304L	2	10	0.06	20	1	657	500	1326
070101330000F	PI3HF	AISI 304L	3	11.8	0.07	20	1	657	500	1576
070101340000F	PI4HF	AISI 304L	4	13.2	0.08	20	1	657	500	1826
070101350000F	PI5HF	AISI 304L	5	14	0.09	20	1	657	500	2076
070110320000F	IP2HF	AISI 316L	2	10	0.06	20	1	657	500	1326
070110330000F	IP3HF	AISI 316L	3	11.8	0.07	20	1	657	500	1576
070110340000F	IP4HF	AISI 316L	4	13.2	0.08	20	1	657	500	1826
070110350000F	IP5HF	AISI 316L	5	14	0.09	20	1	657	500	2076

\*\* (minimum order quantity)

## → STRAIGHT LADDERS



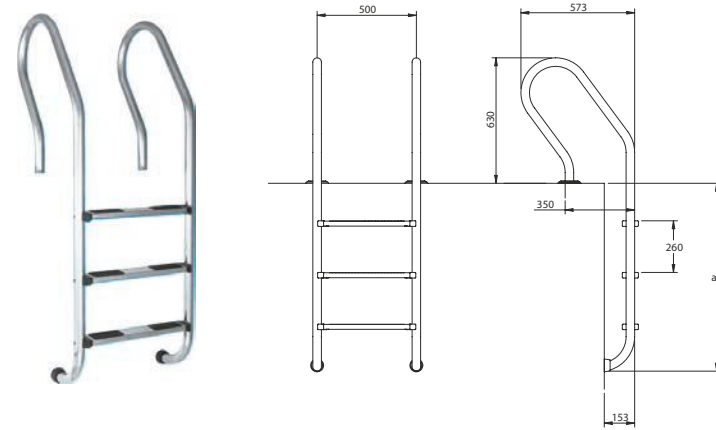
- Made of AISI 316 or AISI 304 stainless steel, D43 mm handrail, shiny polished finishing, includes non-slip pad in all the steps for a safe and comfortable use. Designed according EN 16582-1.
- Supplied with anchors -one of them with earth connection-, stoppers, screws and trims.
- The AISI 316 version of this model includes a sacrificial anode to reinforce its protection against corrosion.

Code	Ref.	AISI stainless steel	No. steps	Weight (kg).	Vol. (m <sup>3</sup> )	qty/pallet	M.O.Q**	DIMENSIONS (mm)		
								Depth	Width	Height
070201320000F	MI2HF	AISI 304L	2	10	0.06	20	1	350	500	1326
070201330000F	MI3HF	AISI 304L	3	11.8	0.07	20	1	350	500	1576
070201340000F	MI4HF	AISI 304L	4	13.2	0.08	20	1	350	500	1826
070201350000F	MI5HF	AISI 304L	5	14	0.09	20	1	350	500	2076
070210320000F	IM2HF	AISI 316L	2	11	0.06	20	1	350	500	1326
070210330000F	IM3HF	AISI 316L	3	11.8	0.07	20	1	350	500	1526
070210340000F	IM4HF	AISI 316L	4	13.2	0.08	20	1	350	500	1826
070210350000F	IM5HF	AISI 316L	5	14	0.09	20	1	350	500	2076

\*\* (minimum order quantity)



➔ MIXED LADDERS

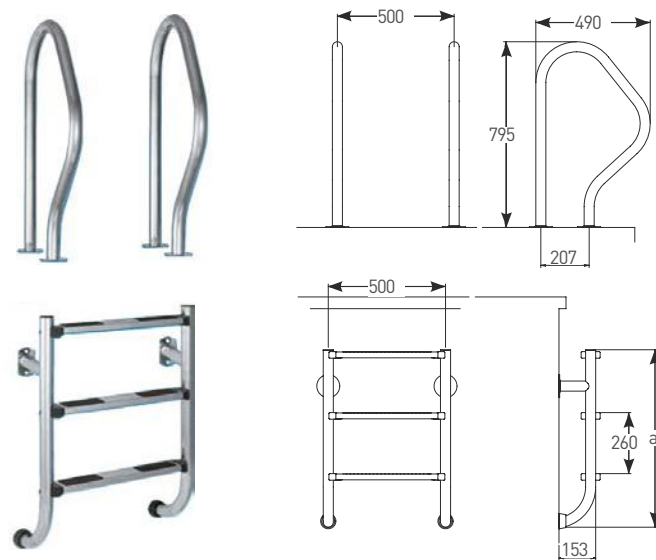


➔ The AISI 316 version of this model includes a sacrificial anode to reinforce its protection against corrosion.

Code	Ref.	AISI stainless steel	No. steps	Weight (kg).	Vol. (m³)	qty/pallet	M.O.Q**	DIMENSIONS (mm)		
								Depth	Width	Height
070301320000F	MXI2HF	AISI 304	2	10 kg	0.06 m³	20	1	350	500	1326
070301330000F	MXI3HF	AISI 304	3	11.8 kg	0.07 m³	20	1	350	500	1576
070301340000F	MXI4HF	AISI 304	4	13.2 kg	0.08 m³	20	1	500	500	1826
070301350000F	MXI5HF	AISI 304	5	14 kg	0.09 m³	20	1	350	500	2076
070310330000F	IMX3HF	AISI 316	3	11.8 kg	0.07 m³	20	1	350	500	1576
070310340000F	IMX4HF	AISI 316	4	13.2 kg	0.08 m³	20	1	350	500	1826
070310350000F	IMX5HF	AISI 316	5	14 kg	0.09 m³	20	1	350	500	2076

\*\* (minimum order quantity)

➔ TWO-PART LADDERS



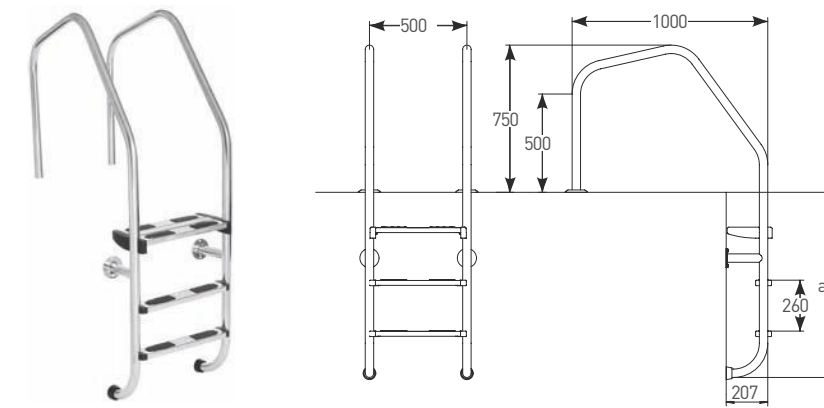
- ➔ Two-Pieces Ladders
- ➔ Made of AISI 316 stainless steel, D43 mm handrail, shiny polished finishing, includes non-slip pad in all the steps for a safe and comfortable use. Designed according EN 16582-1.
- ➔ Supplied with stoppers, screws, anchors and rubber fleece for the flanges.
- ➔ This model includes a sacrificial anode to reinforce its protection against corrosion.

Code	Ref.	Description	AISI stainless steel	No. steps	Weight (kg).	Vol. (m³)	qty/pallet	M.O.Q**	DIMENSIONS (mm)		
									Depth	Width	Height
070510320000F	PD1 HF	Exit Handrail Set	AISI 316	-	7.5 kg	0.072 m³	-	1 (1 pair)	480 mm	500 mm	795 mm
070510330200F	IDP3-STEP	Two-Pieces-part	AISI 316	3	3.5 kg	0.036 m³	20	1	170 mm	500 mm	765 mm
070510340200F	IDP4-STEP	Two-Pieces-part	AISI 316	4	5 kg	0.036 m³	20	1	170 mm	500 mm	1015 mm
070510350200F	IDP5-STEP	Two-Pieces-part	AISI 316	5	6.5 kg	0.087 m³	20	1	170 mm	500 mm	1265 mm

Exit grab rails for two-part ladders 070510320000F not included

\*\* (minimum order quantity)

➔ MUNICH LADDERS



➔ This model includes a sacrificial anode to reinforce its protection against corrosion.

Code	Ref.	AISI stainless steel	No. steps	Weight (kg).	Vol. (m³)	qty/pallet	M.O.Q**	DIMENSIONS (mm)		
								Depth	Width	Height
070410330000F	IEM3HF	AISI 316L	2 + 1 Double	13.8 kg	0.14 m³	5	1	1000 mm	500 mm	1696 mm
070410340000F	IEM4HF	AISI 316L	3 + 1 Double	15.8 kg	0.18 m³	5	1	1000 mm	500 mm	1946 mm
070410350000F	IEM5HF	AISI 316L	4 + 1 Double	16.8 kg	0.21 m³	5	1	1000 mm	500 mm	2196 mm

\*\* (minimum order quantity)



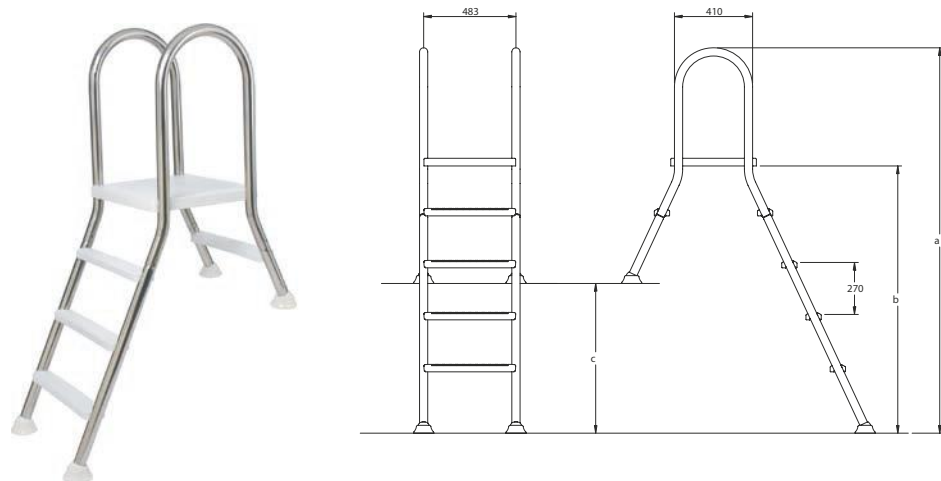


# SEMIINGROUND LADDERS

HARD-WEARING, WITH AN EXCEPTIONAL FINISH



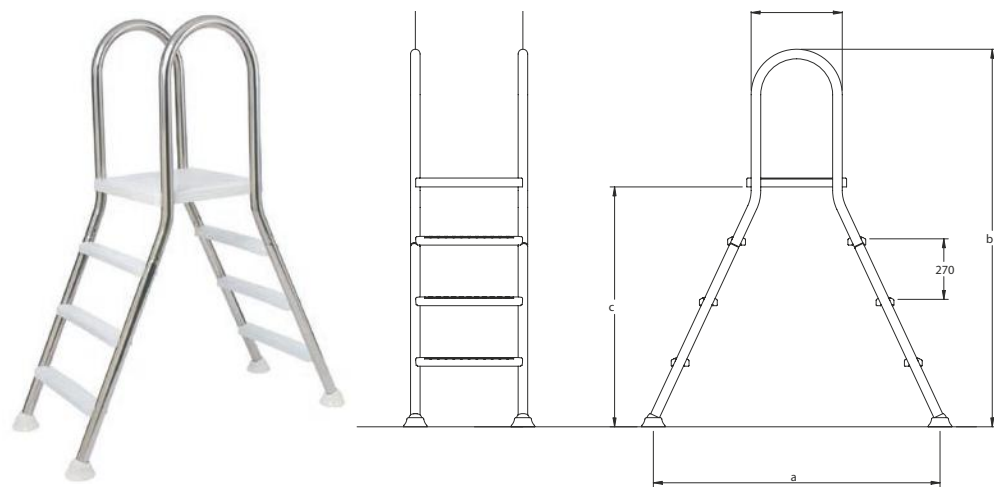
## SEMI INGROUND POOL LADDERS



Code	Ref.	AISI stainless steel	No. steps	Weight (kg)	Vol. (m <sup>3</sup> )	qty/pallet	M.O.Q**	DIMENSIONS (mm)		
								Depth	Width	Height
070601840000F	ESP4HF	304/ABS	4+1	17	0.10	11	1	920	483	2016
070601850000F	ESP5HF	304/ABS	5+1	19	0.10	11	1	1020	483	2216

\*\* (minimum order quantity)

## ABOVE GROUND POOL LADDERS



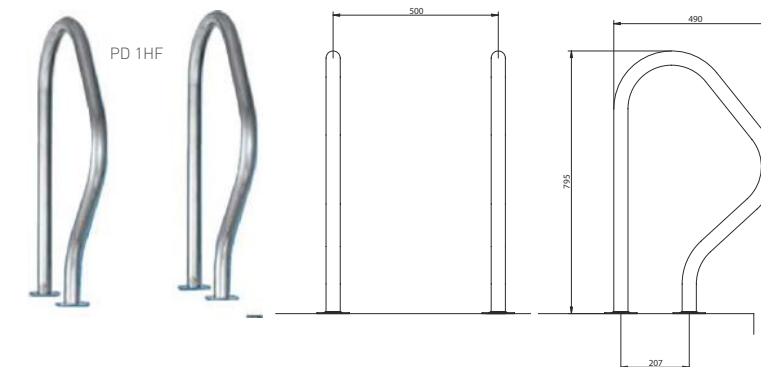
Code	Ref.	AISI stainless steel	No. steps	Weight (kg)	Vol. (m <sup>3</sup> )	qty/pallet	M.O.Q**	DIMENSIONS (mm)		
								Depth	Width	Height
070701830000F	EEP3HF	304/ABS	3+3	19	0.10	11	1	1287	483	1695
070701840000F	EEP4HF	304/ABS	4+4	21	0.10	11	1	1586	483	2016
070701850000F	EEP5HF	304/ABS	5+5	23	0.10	11	1	1773	483	2216

\*\* (minimum order quantity)

# ACCESSORIES FOR LADDERS



Our design philosophy is always focused on user safety: all our ladders are approved for connection to an equipotential network, whether through the anchor or through the flange, and our built-in ladders can be equipped with a double safety step to avoid accidents on the rungs. Of course, all our steps have a non-slip surface as standard.



## EXIT GRAB RAILS FOR TWO-PART LADDERS

Code	Ref.	Stainless steel	Units	Tubing Ø (mm)	Weight (kg)	Vol. (m <sup>3</sup> )	M.O.Q**
070510320000F	PD 1HF	316	2	43	7.5	0.072	1

\*\* (minimum order quantity)

## UNIVERSAL ANCHORS WITH FLANGES

Code	Ref.	Stainless steel	Type of anchor	Units	Tubing Ø (mm)	Height (mm)	Weight (kg)	Vol. (m <sup>3</sup> )	M.O.Q**
071501103040F	AB 1HF	304	Fixed	1	40	150	0.5	0.015	2
071501203160F	AB 2HF	304	Folding	1	40	150	0.7	0.015	2

Compatible with the STANDARD, STRAIGHT, ASYMMETRIC and MIXED ranges. Screws, washers, rawlplugs and elastic joints included.

\*\* (minimum order quantity)



### AB 2HF

This allows the ladder to be pivoted upwards, without removing it completely, to free up the pool basin for all kinds of other operations.



### AB 1HF

Allows the ladder to be removed manually without the use of tools.

## SAFETY STEP

The safety step is made up of a pair of non-slip surfaces. Use of this type of step is recommended to avoid slips and entrapments between the ladder and the wall when getting into or out of the pool. All our ladder models are compatible with inclusion of this step. It can also be added to ladders that are already installed. Complies with European standards EN-13451-1 and EN-13451-2.



Code	Ref.	Stainless steel	Weight (kg)	M.O.Q**
071502316000F	RES 017HF	316	1.3	1

\*\* (minimum order quantity)

## KIT FOR LINER A-316

Item	Ref.	Stainless steel	Weight	M.O.Q**
073687100021F	Kit Liner	AISI 316	-	1 pack (2 pcs)

\*\* (minimum order quantity)



## SACRIFICIAL ANODE FOR LADDERS

Item	Ref.	Stainless steel	Weight	M.O.Q**
500787170020F	Ladder Anode	-	-	1

\*\* (minimum order quantity)



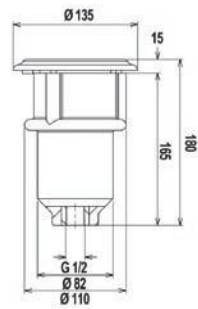


# SHOWERS

## BASTON SHOWERS

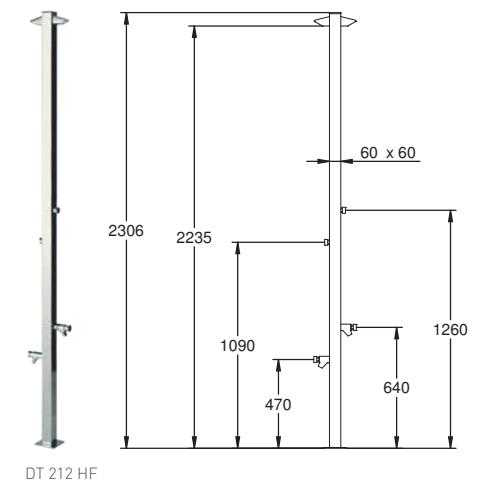
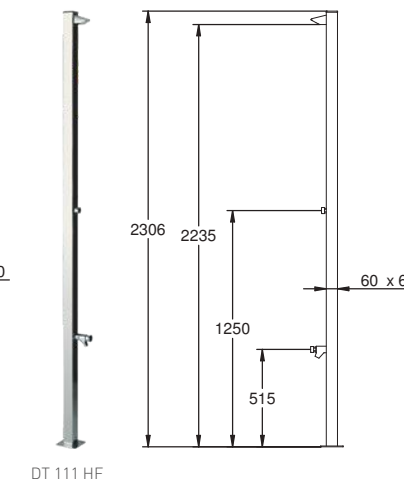
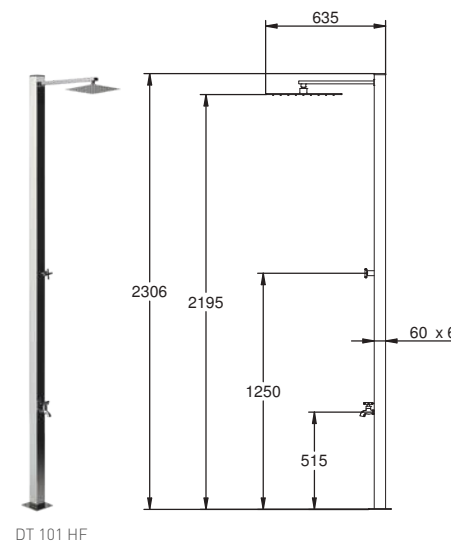
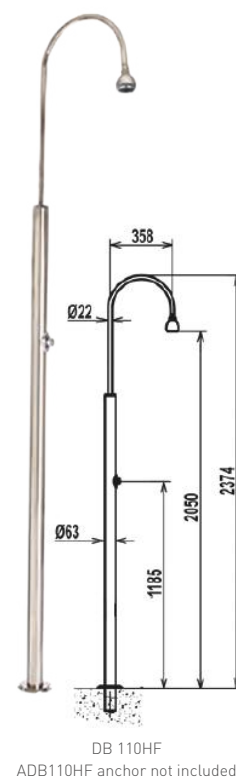
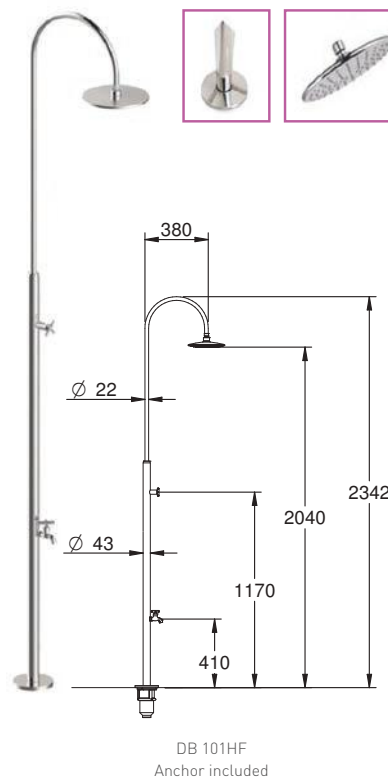
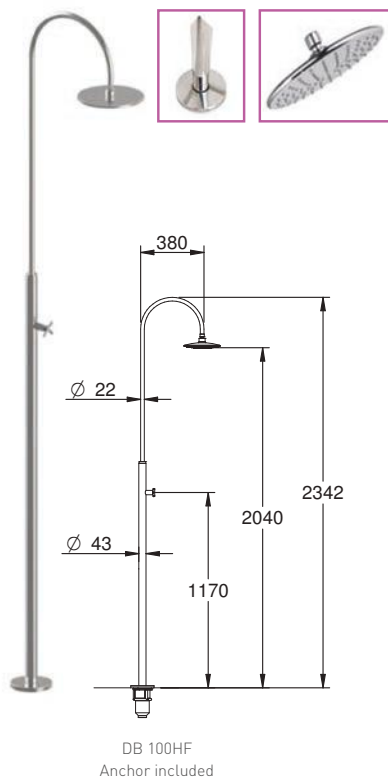


- ➔ Elegant and hard-wearing
- ➔ Made of bright polished AISI 304 stainless steel
- ➔ Anchor with integrated earthing connection in DB 100HF and DB 101HF
- ➔ Versions available for residential pool with attractive faucet knob and wellness shower head
- ➔ Version available timer tap equipped and compact shower head, specially designed for public or semi-public pools



## TETRA SHOWERS

- ➔ Modern design with different tap versions: manual, timer, temperature mixer
- ➔ Made of bright polished AISI 304 stainless steel
- ➔ Plastic anchor with screws (included)
- ➔ Models with or without a foot wash
- ➔ Cast-in anchor for concrete available (AT60HF)



Code	Ref.	Stainless steel	Connection	Tubing Ø mm	Weight (kg)	Vol. (m³)	M.O.Q**
072101011010F	DB 100HF	AISI 304	1 1/2"	43	15,5	0,1	1
072101101010F	DB 101HF	AISI 304	1 1/2"	43	16	0,1	1
072101011020F	DB110HF	AISI 304	1 1/2"	63	16	0,1	1
072587100939F	ADB110HF	DB 110HF Anchor	1 1/2"	63	-	-	1

\*\* [minimum order quantity]

Code	Ref.	Type	Foot wash	Connection	Tube dimensions	Stainless steel	No. shower heads	Weight (kg)	Vol. (m³)	M.O.Q**
<b>SINGLE TETRA SHOWER</b>										
072510310000F	DT 100HF	Manual	No	1/2"	60 x 60	304	1	8	0.054	1
072510330000F	DT 110HF	Automatic	No	1/2"	60 x 60	304	1	8	0.054	1
072510320000F	DT 101HF	Manual	Yes	1/2"	60 x 60	304	1	8	0.054	1
072510340000F	DT 111HF	Automatic	Yes	1/2"	60 x 60	304	1	8.2	0.054	1

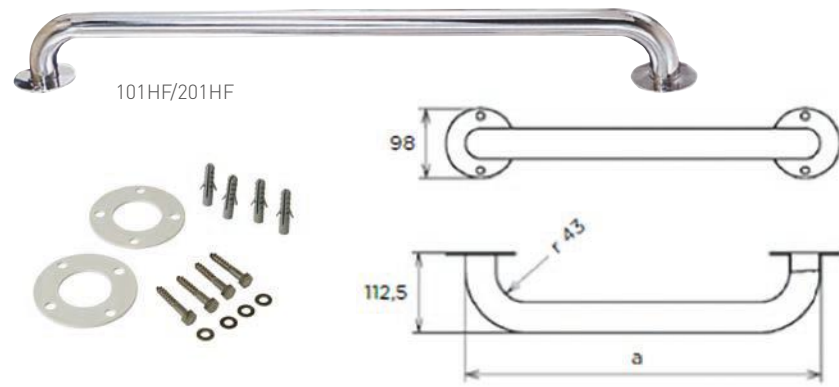
Code	Ref.	Type	Foot wash	Connection	Tube dimensions	Stainless steel	No. shower heads	Weight (kg)	Vol. (m³)	M.O.Q**
<b>DOUBLE TETRA SHOWER</b>										
072520330000F	DT 210HF	Automatic	No	1/2"	60 x 60	304	2	17	0.09	1
072520340000F	DT 212HF	Automatic	Yes	1/2"	60 x 60	304	2	17.5	0.09	1

\*\* [minimum order quantity]

KRIPSOL®  
PUMPS & ELECTRICAL CABINETS  
FILTERS  
WHITE GOODS AND LIGHTS  
CLEANERS  
HEATING  
SANITIZATION  
POOL SURROUNDING EQUIPMENT  
PVC ACCESSORIES  
CONDITIONS OF SALE



# HANDRAILS

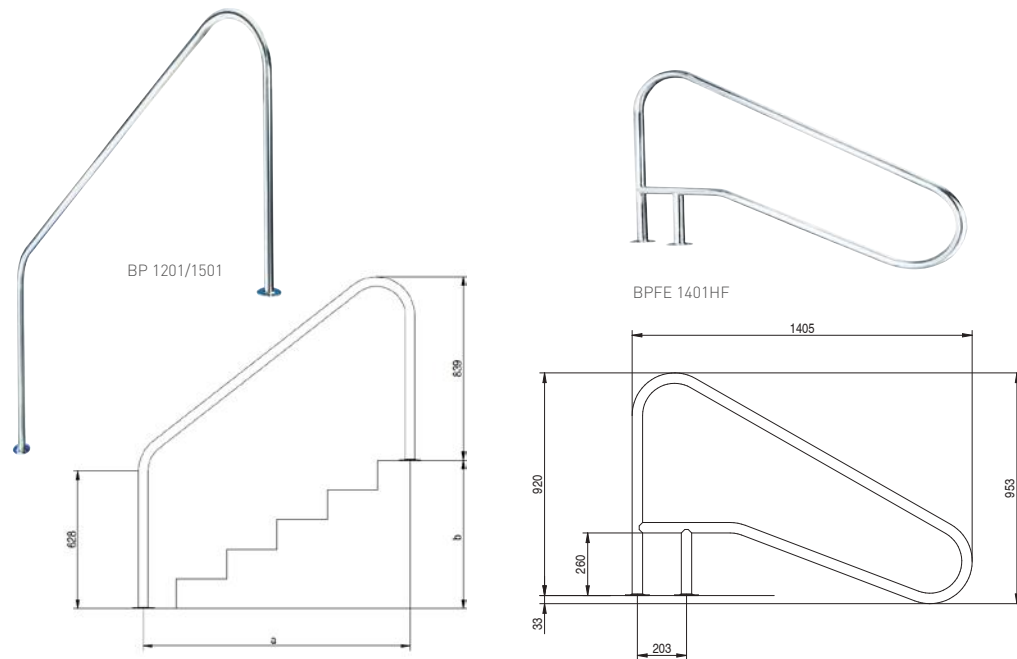


- ➔ Made of bright polished AISI 316 stainless steel
- ➔ Attachment with flanges and screws, or built-in
- ➔ Models with flanges are supplied with joints, plastic anchors and screws

## STAINLESS STEEL GRAB RAILS

Code	Ref.	Stainless steel	Length A mm	Height B mm	Tubing Ø mm	Attachment	Weight (kg)	Vol. (m³)	M.O.Q**
073510101000F	AS 101HF	316	1 000	112.5	43	Screws	2.15	0.039	1
073510201000F	AS 201HF	316	2 000	112.5	43	Screws	5.0	0.088	1
073587180055F	AS 051HF	316	500	112.5	43	Screws	1.05	0.020	1
073587180154F	AS 151HF	316	1 500	112.5	43	Screws	3.20	0.059	1

\*\* (minimum order quantity)



- ➔ Made of bright polished AISI 316 stainless steel
- ➔ Attachment with flanges and screws, or built-in
- ➔ Models with flanges are supplied with joints, rawplugs and screws

## STAINLESS STEEL HANDRAILS

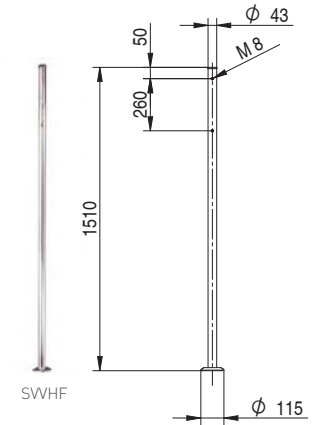
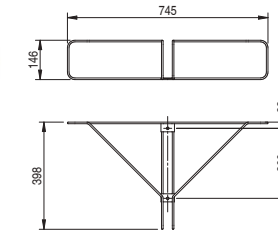
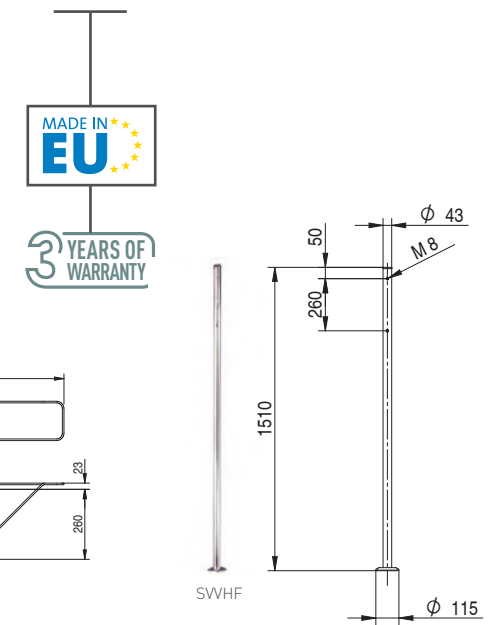
Code	Ref.	Stainless steel	Length (a) mm	Height (b) mm	Tubing Ø mm	Attachment	Weight (kg)	Vol. (m³)	M.O.Q**
073601120001F	BP 1201HF	316	1 219	660	43	Screws	8.2	0.136	1
073601150001F	BP 1501HF	316	1 524	915	43	Screws	9.1	0.159	1
073687162260F	BP 1801HF	316	1 829	1 169	43	Flange / Screws	10.0	0.182	1
073687468013F	BPFE 1201HF	316	1 255	-	43	Flange / Screws	8.0	-	1
073610123501F	BPFE 1401HF	316	1 405	-	43	Screws	8	-	1
073687168027F	BPFE 1400HF	316	1 405	-	43	Cast-in anchor	10.0	-	1

Built-in handrails are supplied with an anchor featuring a connector to an equipotential network.

\*\* (minimum order quantity)

# SAFETY EQUIPMENT

## LIFE RING AND SUPPORTS



Code	Ref.	Description	Weight (kg)	Vol. (m³)	M.O.Q**
073710300000F	SVSHF	Stainless steel bracket screwed to the wall	1.2	0.009	1
073711300000F	SWHF	Ø 43 x 1000 mm Pole for SVSHF	3.1	0.02	1
073700000000	SVP	Life ring Ø 73	3	0.055	1

\*\* (minimum order quantity)





# WATER FEATURES

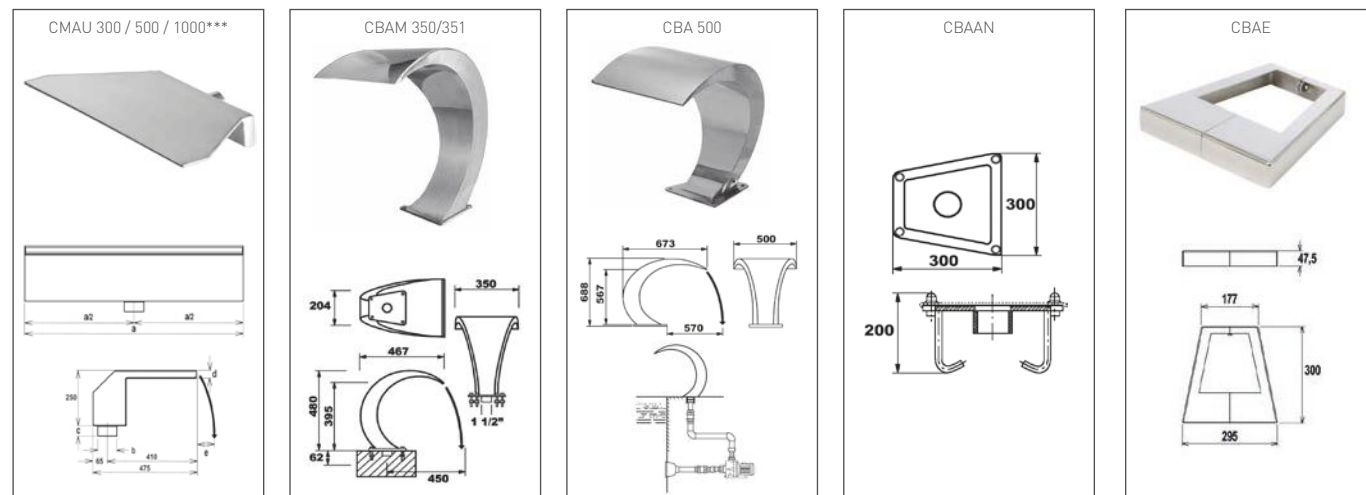
## WATERFALLS



- ➔ A touch of excellence for your pool
- ➔ Made of AISI 316 stainless steel
- ➔ All water features must be connected to an equipotential network
- ➔ The AISI 316 versions of the Bali model include a sacrificial anode to reinforce its protection against corrosion

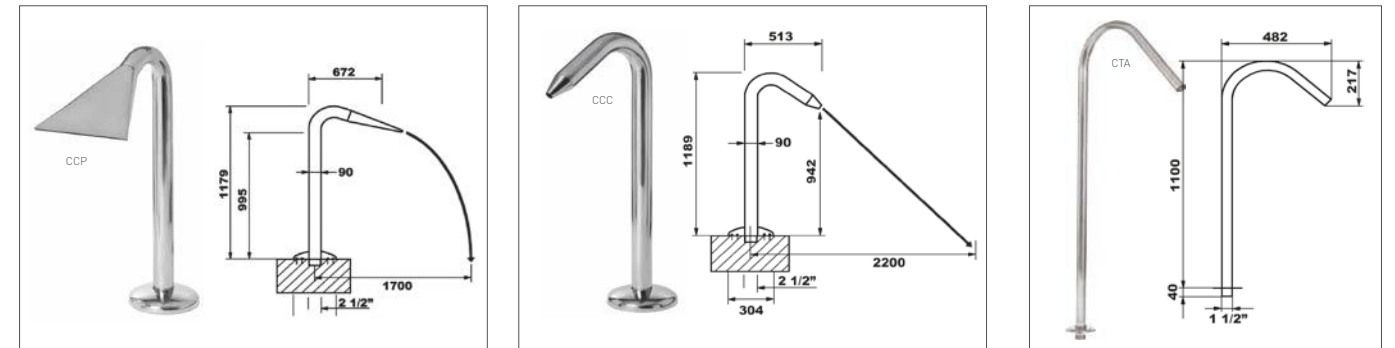
Code	Ref.	Description	Stainless steel	Anchor	Connection	Flow rate (m³/h)	Width (mm)	Height (mm)	Weight (kg)	Vol. (m³)	M.O.Q**
074030030010	CMAU 300	Maui waterfall***	316	Not required	1"	10	300	250	3	0.0018	1
074030050010	CMAU 500	Maui waterfall***	316	Not required	1"	20	500	250	4	0.0036	1
074030100010	CMAU 1000	Maui waterfall***	316	Not required	-	35	1000	250	6.5	0.0068	1
074010050010	CBA 500	Bali waterfall	316 bright polished finish	Not included (CBAAN)	-	30	500	688	24.8	0.28	1
074011105000	CBAAN	Anchor for Bali waterfall	316	-	2"	-	300	200	4.25	0.018	1
074012105000	CBAE00	Decorative feature CBA500	316 bright polished finish	-	-	-	-	-	2	0.0006	1
074010035110F	CBAM350	Bali mini waterfall	AISI 316	Not required	1-1/2"	20	350	480	14	0.086	1
074010035101	CBAM 351	Bali Mini waterfall	304	Not required	1-1/2"	20	350	480	14	0.086	1
074087185043F	CBAMAN	Bali mini anchor	316	-	2"	-	221	197	-	-	1
074010050110	CBA 501	Bali Satin waterfall	316 matt finishing	Not included (CBAAN)	Needs CBAAN	30	500	688	-	-	1
074012105001	CBAE01	Trim for CBA501	316 matt finishing	-	-	-	-	-	2	0.0006	1

\*\* (minimum order quantity)



\*\*\* Please note that the CMAU waterfall is for built-in, not to anchor on the surface.

## THERAPEUTIC CANNONS



Code	Ref.	Description	Stainless steel	Anchor	Connection	Flow rate (m³/h)	Width (mm)	Height (mm)	Weight (kg)	Vol. (m³)	M.O.Q**
074101010100	CCC	Capri cannon with circular nozzle	316	Included	2-1/2"	20	513	1189	18.3	0.27	1
074101010200	CCP	Capri cannon with flat nozzle	316	Included	2-1/2"	22	672	1179	20	0.45	1
074103010000	CTA	Tahiti cannon	316	Not required	1-1/2" Ø 43	6	482	1100	4.6	0.06	1
074102010100	JABC	Nozzle for Tahiti	316	-	-	-	-	-	0.42	0.003	1
074102010200	JABP1	Nozzle for Tahiti	316	-	-	-	-	-	0.39	0.003	1
074102010400	JABP4	Nozzle for Tahiti	316	-	-	-	-	-	0.5	0.003	1
074102010600	JABC6	Nozzle for Tahiti	316	-	-	-	-	-	0.58	0.003	1
980000000040	PPE	Piezoelectric pushbutton switch***	-	-	-	-	-	-	-	-	-

\*\* (minimum order quantity) \*\*\* See also page 59



## NOZZLES TO COMPLETE THE TAHITI CANNON SET UP (NOT INCLUDED WITH THE CANNON)





# COMPLETE YOUR POOL INSTALLATION

In this chapter you will find valves, elbows, reducers, 'tee' connections and everything you need to complete the assembly of your Kripsol® pool.



# PVC ACCESSORIES

SLIP RANGE	92
MIXED RANGE	93
PVC ACCESSORIES	94



# SLIP RANGE



Code	Ref.	Description	Connection Ø	Angle	Weight kg	Vol. (m³)	Qty Box	
100171010400	CD901040	CD901040 ELBOW 90° 40 MM	40	90°	9,2	0,031	100	
100171010500	CD901050	CD901050 ELBOW 90° 50 MM	50	90°	10,1	0,031	60	
100171010630	CD901063	CD901063 ELBOW 90° 63 MM	63	90°	7,0	0,031	30	
100171020400	CD451040	CD451040 ELBOW 45° 40 MM	40	45°	9,0	0,031	120	
100171020500	CD451050	CD451050 ELBOW 45° 50 MM	50	45°	9,9	0,031	70	
100171020630	CD451063	CD451063 ELBOW 45° 63 MM	63	45°	8,0	0,031	40	
100171015500	CD911550	CD911550 ELBOW 90° SWEEP H/M 50 MM	50	90°	15,3	0,048	100	
100171015630	CD911563	CD911563 ELBOW 90° SWEEP H/M 63 MM	63	90°	16,7	0,048	60	
100171025500	CD461550	CD461550 ELBOW 45° SWEEP H/M 50 MM	50	45°	16,2	0,048	120	
100171025630	CD461563	CD461563 ELBOW 45° SWEEP H/M 63 MM	63	45°	14,9	0,048	60	
100171030500	TE901050	TE901050 TEE 90° 50 MM	50	90°	9,8	0,031	40	
100171030630	TE901063	TE901063 TEE 90° 63 MM	63	90°	6,8	0,031	20	
100171090630	CZ1063	CZ1063 CROSS 63 MM	63	90°	6,7	0,031	15	
100171050400	MU1040	MU1040C COUPLING 40 MM	40	-	9,8	0,031	180	
100171050500	MU1050	MU1050 COUPLING 50 MM	50	-	8,8	0,031	100	
100171050630	MU1063	MU1063 COUPLING 63 MM	63	-	8,7	0,031	60	
100171060420	CR1042	CR1042 REDUCER 40/32 MM	40 x 32	-	10,1	0,031	500	
100171060530	CR1053	CR1053 REDUCER 50/40 MM	50 x 40	-	16,3	0,031	300	
100171060650	CR1065	CR1065 REDUCER 63/50 MM	63 x 50	-	13,8	0,031	160	
100171070400	TP1040	TP1040 CAPS 40 MM	40	-	-	0,031	-	
100171070500	TP1050	TP1050 CAPS 50 MM	50	-	14,9	0,031	200	
100171070630	TP1063	TP1063 CAPS 63 MM	63	-	10,5	0,031	100	
100474140400	EH1040	EH1040 UNION F/F Slip 40 mm	40	-	16,1	0,048	100	
100474140500	EH1050	EH1050 UNION 50 mm	50	-	30,3	0,048	100	
100474140630	EH1063	EH1063 UNION 63 mm	63	-	27,6	0,048	72	
100474090500	EHS1050	EHS1050 UNION. F/M Slip 50 mm	50	-	19,1	0,048	75	
100474090630	EHS1063	EHS1063 UNION. F/M SLIP 63 MM	63	-	19,4	0,048	50	

These products are supplied in full boxes, refer to quantities.

# MIXED RANGE

(SLIP/THREADED)



Code	Ref.	Description	Connection Ø	Angle	Weight kg	Vol. (m³)	Qty Box	
100173010500	CD903050	CD903050 ELBOW 90° 50-1.1/2"	50 x 1 1/2"	90°	11,3	0,031	60	
100173010630	CD903063	CD903063 ELBOW 90° 63-2"	63 x 2"	90°	12,7	0,031	40	
100173015500	CD913550	CD913550 ELBOW 90° H/M 50 - 1 1/2"	50 x 1 1/2"	90°	19,1	0,031	100	
100173050400	MU3040	MU3040 MIXED COUPLING 40-1.1/4"	40 x 1 1/4"	-	10	0,015	150	
100173050500	MU3050	MU3050 MIXED COUPLING 50 -1.1/2"	50 x 1 1/2"	-	12,8	0,03	110	
100173050630	MU3063	MU3063 MIXED COUPLING 63/2"	63 x 2"	-	11,1	0,03	60	
100173070400	MR3050	MR3050 COUPLING M/ Thread.40/50-1.1/2"	40 - 50 x 1 1/2"	-	13,5	0,031	130	
100173070500	MR3063	MR3063 COUPLING M/THREAD. 50/63-2"	50 - 63 x 2"	-	11,5	0,031	72	
100173030400	TE903040	TE903040 TEE 90° MIXED 40-1.1/4"	40 x 1 1/4" x 40	90°	9,2	0,031	70	
100173030500	TE903050	TE903050 TEE 90° MIXED 50-1.1/2"	50 x 1 1/2" x 50	90°	11,1	0,031	50	
100173030630	TE903063	TE903063 TEE 90° MIXED 63-2"	63 x 2" x 63	90°	10,3	0,031	25	
100173080400	TRM3040	TRM3040 MALE THREADED ADAPTER 40/50-1.1/4"	40 - 50 x 1 1/4"	-	11,3	0,031	70	
100173080500	TRM3050	TRM3050 MALE THREADED ADAPTER 50 63-1.1/2"	50 - 63 x 1 1/2"	-	9,1	0,031	60	
100173080630	TRM3063	TRM3063 MALE THREADED ADAPTER 63/75-2"	63 - 75 x 2"	-	11,9	0,031	72	
100474030500	EH3050	EH3050 UNION F/F 50-1.1/2"	50 x 1 1/2"	-	20,5	0,048	72	
100474030630	EH3063	EH3063 UNION F/F 63-2"	63 x 2"	-	24,8	0,048	60	
100474040500	EHM3050	EHM3050 UNION. 50-1.1/2M"	50 x 1 1/2"	-	15,5	0,03	75	
100474040630	EHM3063	EHM3063 UNION. 63-2M"	63 x 2"	-	15,2	0,048	50	
100474050500	EHM2050	EHM2050 UNION W/O-RING.50-1.1/2"	50 x 1 1/2"	-	6,6	0,03	50	
100474050630	EHM2063	EHM2063 UNION w/o-ring. 63-2"	63 x 2"	-	15,9	0,048	72	

These products are supplied in full boxes, refer to quantities.



# PVC ACCESSORIES



Code	Ref.	Description	Connection Ø	Weight (kg)	Vol. (m³)	Qty Box
<b>SLIP</b>						
101011100200	VET20	VET20 BALL VALVE 20 MM TEFLON	20	-	-	-
101011100250	VET25	VET25 BALL VALVE 25 MM TEFLON	25	9.4	0.034	48
101011100320	VET32	VET32BALL VALVE 32 MM TEFLON	32	9.5	0.061	30
101011100400	VET40	VET40 BALL VALVE 40 MM TEFLON	40	16.4	0.061	36
101011100500	VET50	VET50 BALL VALVE 50 MM TEFLON	50	18.6	0.061	24
101011100630	VET63	VET63 BALL VALVE 63 MM TEFLON	63	17.9	0.061	16
101011110250	VEP25	VEP25 BALL VALVE 25 MM	25	7.9	0.031	40
101011110320	VEP32	VEP32 BALL VALVE 32 MM	32	12.7	0.031	40
101011110400	VEP40	VEP40BALL VALVE 40 MM	40	7.3	0.031	16
101011110500	VEP50	VEP50 BALL VALVE 50 MM	50	12.4	0.031	16
101011110630	VEP63	VEP63 BALL VALVE 63 MM	63	11.2	0.031	10
101011110750	VEP75	VEP75 BALL VALVE 75 MM	75	8.8	0.031	3
101011110900	VEP90	VEP90 BALL VALVE 90 MM	90	8.8	0.031	3
<b>THREADED</b>						
101012110250	VRP25	VRP25 BALL VALVE DE 3/4"	3/4"	7.9	0.031	40
101012110320	VRP32	VRP32 BALL VALVE 1"	1"	12.7	0.031	40
101012110400	VRP40	VRP40 BALL VALVE 1.1/4"	1 1/4"	7.3	0.031	16
101012110500	VRP50	VRP50 BALL VALVE 1.1/2"	1 1/2"	12.4	0.031	16
101012110630	VRP63	VRP63 BALL VALVE 2"	2"	11.2	0.031	10
101012110750	VRP75	VRP75 BALL VALVE 2.1/2"	2 1/2"	8.8	0.031	3
101012110900	VRP90	VRP90 BALL VALVE 3"	3"	8.8	0.031	3



Code	Ref.	Description	Width	Length	Weight (kg)	Vol. (m³)	Qty Box
108812000000	CTF12	CTF12 TEFLON ROLL 12 MM X 12 M	12	12	2.60	0.016	200



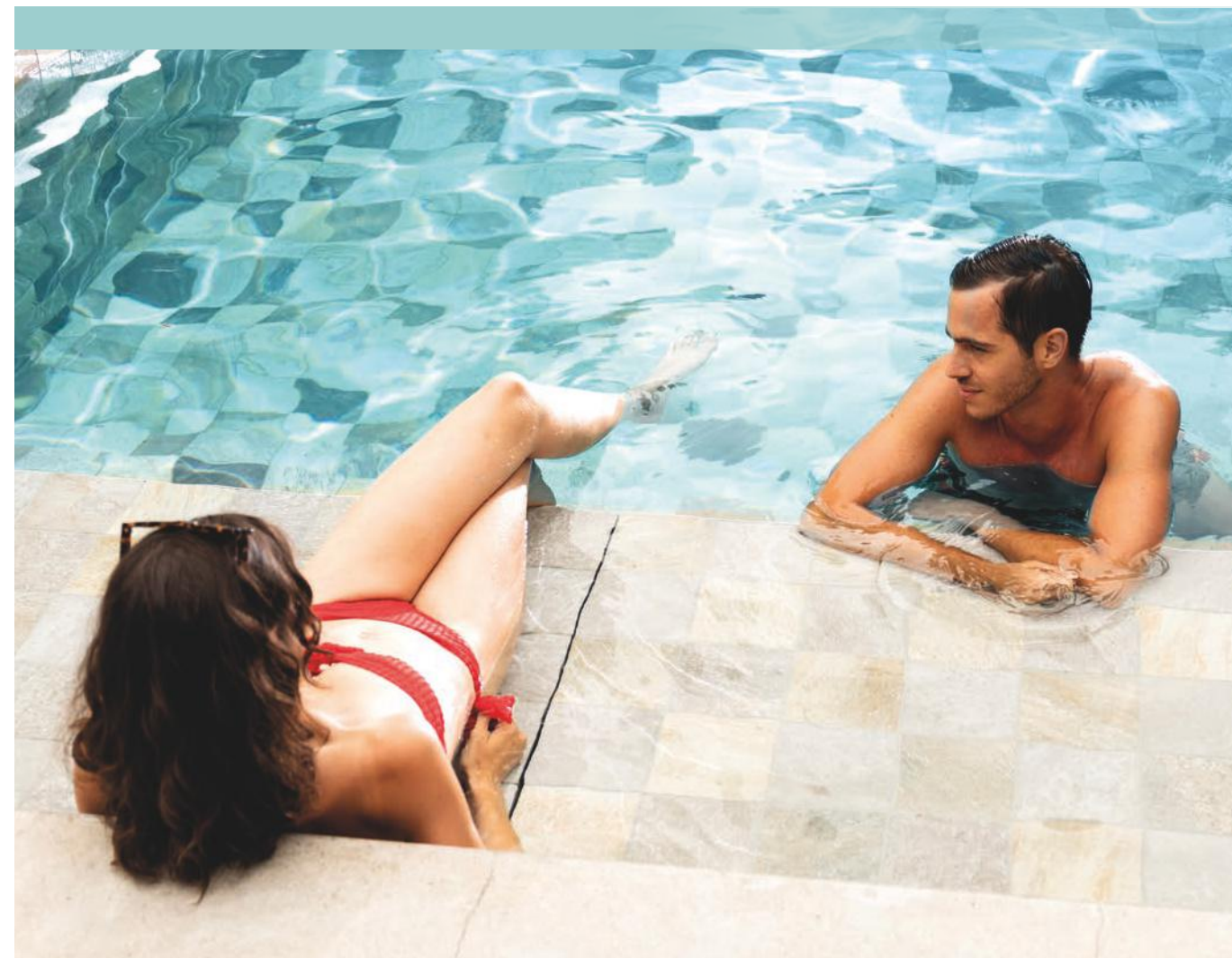
Code	Ref.	Description	Quantity CC	Weight (kg)	Vol. (m³)	Qty Box
100500000001	LA100	LA1000 PVC ADHESIVE CONTAINER 1000 CC	1000	13.3	0.02	12
100500000003	LD100	LD1000 SOLVENT CONTAINER 1000 cc	1000	13,3	0,02	12



# PVC ACCESSORIES



Code	Ref.	Description	Connection Ø	Attachment	Weight (kg)	Vol. (m³)	Qty Box
101013500500	VAR1050	VAR1050 CHECK VALVE ø50	50	Slip	11.80	0.061	24
101013500630	VAR1063	VAR1063 CHECK VALVE 63 MM EPDM	63	Slip	11.30	0.061	16
101013500750	VAR1075	VAR1075 CHECK VALVE 75 MM EPDM	75	Slip	8.00	0.048	6
101013600500	VAR2050	VAR2050 CHECK VALVE 1.1/2EPDM"	1 1/2"	Threaded	11.70	0.061	24
101013600630	VAR2063	VAR2063 CHECK VALVE 2 EPDM"	2"	Threaded	11.30	0.061	16
101014600500	VP2050	VP2050 FOOT VALVE 1.1/2 EPDM"	1 1/2"	Threaded	6.00	0.048	12
101014600630	VP2063	VP2063 FOOT VALVE 2 EPDM"	2"	Threaded	8.60	0.048	12
900281250000	CTV50	CTV50 BLIND CAP FOR INTAKE COLLECTOR	50	-	0.65	0.001	1
100172040500	MDR2050	MDR2050 DOUBLE THREADED NIPPLE 1.1/2"	1 1/2"	-	4.70	0.031	70
100172040630	MDR2063	MDR2063 DOUBLE THREADED NIPPLE 2"	2"	-	5.70	0.031	96





# COMMERCIAL WARRANTIES

Kripsol® offers a 3-year warranty\* against any manufacturing defect of our products from the date of invoicing.

Product	Standard warranty*		
PUMPS	KS Evo	3 years	
	KS Evo VS	3 years	
	KSE (Koral)	3 years	
	KSE VS	3 years	
	OK (Ondina)	3 years	
	NK (Ninfa)	3 years	
	KNG (Niger)	3 years	
	S2	3 years	
	K-Power / K-Power Connect	3 years	
FILTERS	Transformers	3 years	
	S1 Series	3 years	
	GLV / GTV Series	Tank : 5 years / Equipment : 3 years	
	Complete filter units	Tank (filter) : 5 years / Equipment : 3 years	
	BK1 Series	Tank : 10 years / Equipment : 3 years	
	S2 Series	3 years	
	Valves for filters	3 years	
	WHITE GOODS	Skimmer	3 years
		Inlet, fittings and main drains	3 years
Gratings for infinity pools.		3 years	
Counter-current equipment.		3 years	
Lights		3 years	
POOL SURROUNDING EQUIPMENT	Ladders	3 years	
	Showers	3 years	
	Safety equipment	3 years	
	Water features	3 years	
CLEANERS	Atlantis Evo	3 years	
HEATING	i-Komfort RC	3 years on the unit / Titanium:15 years / Compressor:5 years	
SANITIZATION	KLX & KLS LS	3 years	
	KLB	3 years	
	Pool LT, Pool pH, Pool Rx & Pool Rx Socket	3 years	
	Accessories, flowmeters and meters	3 years	

\*Except wearing parts

# LIST OF WEAR PARTS BY PRODUCT LINE

Family	Wear parts	Estimated life
PUMPS	Shaft mechanical seal	2 Years or 10.000 h
	Motor bearings kit	2 Years or 10.000 h
	Set of gasket (strainer, housing, bulkheads, drain)	2 Years or 25.000 h
	Capacitor	2 Years or 10.000 h
SAND FILTERS	Filtration element (sand)	2 years
	Set of gasket (cover, bulkheads, drain, manometer, purge)	2 years
CARTRIDGE FILTERS	Filtration element (cartridge)	1 year
	Set of gasket (body seal, bulkheads, drain, manometer, purge)	2 years
VALVES	Top valve gaskets (cover, shaft)	2 years
	Side valve gaskets (cover, shaft)	2 years
WHITE GOODS	Liner set of gasket	2 years
	Weir axis	2 years
LIGHTING	Set of gaskets	2 years

Family	Wear parts	Estimated life
WATER TREATMENT	Cell	2 years (T-Cell) or 8000 h
	PH probe	1 year
	Redox probe	1 year
	Pump membrane	2 years
CHEMICAL FEEDERS	Pipe kit	2 years
	Membrane	2 years
CLEANERS	Drive tracks	2 years
	Bearings	2 years
	Wheels	2 years
	Brushes	2 years
HEAT PUMPS	Filters	1 year
	Gaskets	2 years
	Capacitors	2 years

# GENERAL SALES CONDITIONS

## I. SCOPE

Unless otherwise agreed in writing, these terms and conditions apply to all product sales made by KRIPSOL® and where such an agreement exists in writing, these terms and conditions will apply where no specific provisions are contained in that agreement. The buyer declares that it is familiar with these terms and conditions, which are systematically handed over to all buyers and which are printed in our catalogues, and accepts them willingly and unreservedly. All other terms and conditions are excluded unless they are previously agreed in writing and accepted by both parties. Unless expressly accepted by us, we will not be bound by any opposing terms and conditions put forward by the buyer, regardless of when these are brought to our attention.

## II. ORDERS

KRIPSOL®'s prior confirmation is required for orders to be considered as accepted. In order to avoid errors and provide a better service, orders must be placed in writing using the product descriptions and references that appear in our catalogue or price list. KRIPSOL® reserves the right to modify our product specifications without prior notice. All images and texts are provided for illustrative purposes only and cannot be considered contractually binding unless the buyer requests otherwise in its order. The buyer must report any error contained in the order confirmation or any missing information within a maximum of two working days and before the product is shipped. KRIPSOL® reserves the right to cancel, on simple notice, any orders placed (including confirmed orders) if any outstanding sums remain unpaid. Most of our products are items of equipment that require specialist technical knowledge for installation and commissioning. We therefore accept no responsibility if the buyer sells these items through inadequate channels.

## III. PRICE AND PAYMENT METHOD

Prices are calculated according to the price list in force on the order acceptance date in accordance with the economic conditions agreed by both parties. Unless otherwise agreed in writing, prices are always understood to be ex works from our warehouses (EX WORKS, INCOTERMS 2020). Prices are stated net in euros without any deduction. Unless expressly agreed otherwise, prices do not include taxes, duties, charges, costs or surcharges, all of which will be paid by the buyer. Payments will be made in advance by bank transfer. If another payment method is agreed, any late payment in whole or in part or any delay in the acceptance of bills of exchange will, unless expressly agreed otherwise, give rise to interest for late payment at the ECB (European Central Bank) rate applied to the most recent refinancing operation carried out before the first day of the calendar half year plus 10 points, and a fixed sum of EUR 40 will be payable as compensation. In addition, KRIPSOL® will be entitled, without the need for any prior notice or formality, to accelerate the due date of the entire outstanding debt, thus rendering the full amount payable, to halt the delivery of any items yet to be delivered, and to allocate any payment received from the customer towards the debt or towards any interest or compensation or towards debt collection costs. Promissory notes and payment documents issued for acceptance must be returned to us with the corresponding acceptance within a period of 15 days from the invoice issue date.

## IV. DELIVERY AND TRANSPORTATION

Unless expressly agreed otherwise, delivery is always for products located in our warehouses, including standard packaging, on an "EX WORKS INCOTERMS 2020" basis from the warehouse indicated in our order acceptance or invoice. The loading risk will always lie with the buyer. If the buyer does not have the means to perform loading operations, it authorises KRIPSOL® to do so but the buyer retains the respective risks. Unless expressly agreed otherwise, the buyer accepts partial deliveries. For deliveries not made at our warehouses, the buyer must always request a quote for the transport costs, which KRIPSOL® can charge to the buyer depending on the volume of the order, the type and characteristics of the goods, the means of transport, as well as other considerations such as urgency, country and distance. The delivery dates stated are for guidance only and the buyer expressly agrees that it will not take any action to which it may be entitled as a result of any delay, unless the parties have entered into a prior express written agreement to the contrary which specifies both the delivery date and the consequences of non-performance in this respect. If, within one working day of notice being given that the product is available, the customer does not reply to arrange delivery or does not suggest a date different from the one proposed, the product is considered to have been made available. Unless expressly agreed otherwise, if the buyer does not collect the goods within 15 days of the date on which they are made available, they are considered to have been abandoned and KRIPSOL® is free to dispose of them as it sees fit. KRIPSOL® may charge the buyer up to 2% of the value of the sale as a penalty for delay, with a minimum of EUR 100 per day, as well as the costs of recycling or destroying the abandoned goods. Goods are always carried at the buyer's risk and under its responsibility, including those that are carriage paid. Time periods for bringing actions for protection against hidden defects or warranty actions will commence from the date the goods are made available. Any defect that is visible or verifiable at the time of receiving the goods must be recorded on the carrier's delivery note and reported to KRIPSOL® in writing within a maximum of 72 hours following delivery. It is the buyer's obligation to check the goods received and to notify KRIPSOL® in writing of any hidden defects within 7 days. Such notifications must describe the defect or damage and provide images if possible. If the sale is an export or intra-Community sale and the buyer arranges the transport, the buyer must hand over the necessary documentation proving that the export has taken place by including an original certificate drawn up according to the model provided by KRIPSOL® within 10 days of the invoice date. If the buyer fails to do so, KRIPSOL® can issue an amended invoice with the national VAT that the buyer will have to pay.

## V. RETENTION OF TITLE

KRIPSOL® retains title in the products sold until the whole of the total agreed price has been paid. The buyer is responsible for ensuring that the goods are not mixed with existing stocks and are not used by ensuring that the goods are properly identified and stored separately. KRIPSOL® may demand in writing that the goods be returned at the buyer's risk and under its responsibility and may collect them directly in whole or in part. In this case, there is no presumption that the goods collected are in excellent condition. The buyer agrees to inform KRIPSOL® about any payment difficulties and, if it goes into administration or liquidation or becomes insolvent, to notify the administrator or creditors or receivers about the situation regarding the goods.

## VI. WARRANTY

Our consumer products in the European Union, which are intended to be sold to consumers and users, have a warranty in accordance with the relevant consumer protection regulations. In addition to the relevant consumer protection regulations, all residential products (excluding wear parts) enjoy a general commercial warranty against any manufacturing defects for three years as from the invoice date, with the exception of fire-fighting equipment and pressure boosters, which have a one-year warranty starting from the date on which they are commissioned with a maximum validity of 18 months from the date of our sales invoice. We will only respond to warranty claims from our own customers, not those made by third parties. The warranty covers only the repair or replacement of defective parts on our premises or at an authorised Technical Assistance Centre (at our discretion) and does not include the costs of transportation to the repair workshop or any costs associated with travel or replacement of the item. Replaced parts have their own warranty, which has no bearing on the original product warranty. The warranty will be invalid if the buyer fails to report the warranty issue in the proper time and manner, enclosing with the product the product invoice, the delivery note specifying the date of delivery, the serial number (where available) and a description of the defect observed or if the product was not paid for in full on its due date. Products that have a longer commercial warranty will be warranted under the terms commercially agreed and, in the absence of such terms, under the terms of our general warranty. The warranty claim must be accompanied by the policy documents or commercial promotion claimed. The warranty will not apply if the product has been incorrectly stored, installed, commissioned or maintained, or if it has been repaired or handled by an unauthorised person or fitted with non-original parts. Similarly, damages due to wear and tear of consumable parts, or caused by electrical disturbances, external agents or force majeure, are excluded.

## VII. CANCELLATIONS, RETURNS AND COMPLAINTS

Without prejudice to other penalties or actions available, KRIPSOL® reserves the right to cancel or terminate any operation if these terms and conditions are breached or in the event of non-payment, delay in the payment of previously outstanding debts, declaration of insolvency, failure by the buyer to comply with free competition rules, including selling our products at a price below the actual purchase price, or where judicial or arbitration proceedings have been brought or administrative complaints have been filed for any reason between KRIPSOL® and the buyer. If the operation is not terminated, as well as other compensation payable, the amount of any invoice affected by the breach will be increased by 10% by way of a non-deductible penalty. The buyer cannot cancel an accepted order (or part thereof) without KRIPSOL®'s written acceptance and in that case the customer must pay a penalty equivalent to 30% of the selling price of the order (or the affected part) without prejudice to KRIPSOL®'s right to claim damages. No product returns will be accepted (except for product defects) without KRIPSOL®'s prior written acceptance. If a product return is accepted for commercial, financial or legal reasons, the product must be returned at the buyer's expense, in the original packaging and in perfect condition. KRIPSOL® has 30 working days as from receipt in which to inspect the product and a discount or deduction of at least 20% of the original sale value will be applied. In the event of complaints or incidents, the buyer must contact the Customer Service Department to report the non-conformity observed with the shipment, the incident or the product defect in the time and manner set out in these general terms and conditions. The customer service team will inform the buyer about how best to proceed and what information is required. If the equipment needs to be returned, prior authorisation must be obtained and the return must be properly documented. Equipment must be returned in its original packaging and under prime transport conditions. The process may involve the buying and selling of equipment or services. At KRIPSOL®'s request, products that have been returned following a complaint must be collected by the buyer. If they are not collected within 15 days of KRIPSOL®'s request or within 3 months from shipment if no such request is made, they will be considered to have been abandoned and KRIPSOL® will be free to dispose of them as it sees fit.

## VIII. FORCE MAJEURE AND HARDSHIP

If either party is prevented or delayed from fulfilling its obligations towards the other party, it must notify the other promptly but will not be held liable or required to pay any compensation. Either party may terminate the contract by giving notice thereof within 10 working days of the initial notification. The same will apply in the case of hardship, by which is meant any event which, being outside of the control of the affected party and unforeseeable at the time of the agreement, alters the equilibrium of the contract and results in a change in circumstances that places an excessive burden on that party in terms of the performance of its obligations. Both parties recognise that unforeseeable supply shortages, the consequences of extraordinary administrative decisions or increases in manufacturing costs which have the effect of reducing KRIPSOL®'s gross profit by 10% all constitute a change in circumstances.

## IX. INTELLECTUAL PROPERTY, CONFIDENTIALITY AND BUSINESS SECRETS

The buyer expressly recognises KRIPSOL®'s ownership of patents, trademarks, logos, symbols, trade names and other intellectual and industrial property rights and agrees to respect them and not to limit, oppose, register or place conditions on any of them. Similarly the buyer must not file a registration application to protect rights that may arise as a result of the information provided by KRIPSOL®. If any internet domains corresponding to the trademarks or names used by KRIPSOL® are registered without our prior authorisation, this will be presumed to be a case of fraud and bad faith. The buyer is obliged to keep secret and confidential any information or knowledge obtained from KRIPSOL®, including technological, scientific, industrial, commercial, organisational or financial information, which is not public or necessary for the marketing of the products. The buyer undertakes to prevent any disclosure of such information and to ensure that such information is not used outside of the limits strictly agreed.

## X. SEVERABILITY, JURISDICTION AND APPLICABLE LAW

If any of these general terms and conditions is deemed invalid or null and void, this will not affect the validity of the other terms and conditions or the rest of the contractual relationship. Any dispute, disagreement or claim arising between the parties will be referred to the exclusive jurisdiction of the courts where KRIPSOL®'s registered office is located, even if there are multiple defendants or in the case of a third party notice. We reserve the right at any time to make any changes we deem necessary to these general terms and conditions of sale.







# KRIPSOL®



2023 - © KRIPSOL® / Photos: iStock - Shutterstock - E. Lamy - ADCATK2024EN

[www.kripsol-pool.com](http://www.kripsol-pool.com)

