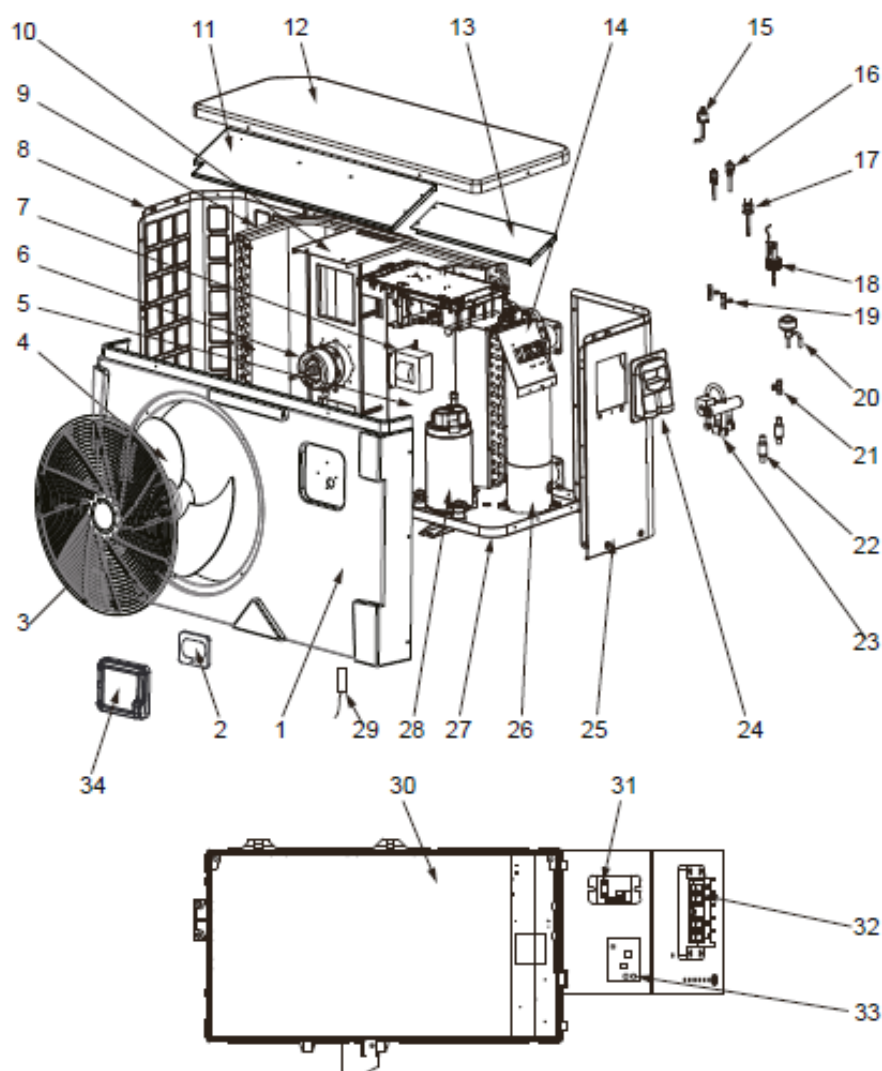


# Pompes à chaleur

Heat Pump

K-PAC / HP5091DT3H / HP5111DT3H / HP5151DT3H / HP5181DT3H



K-PAC / HP5091DT3H / HP5111DT3H / HP5151DT3H / HP5181DT3H

N°	Description	
1	Front panel • Panneau Avant • Rückplatte • Panel delantero • Pannello anteriore • Paneel Voor • Painel dianteiro • Панель передняя HP5091DT3H - HP5111DT3H HP5151DT3H HP5181DT3H	HWX80900843 HWX80900844 HWX80900850
2	LED controller • Régulateur LED • LED Regler • Regulador LED • Controlador LED • Controller LED • Regulatore LED • LED контроллер HP5091DT3H - HP5111DT3H - HP5151DT3H - HP5181DT3H	HWX72200070
3	Fan protection grille • Grille de protection ventilateur • Schutzgitter des Gebläses • Rejilla de protección del ventilador • Griglia di protezione ventilatore • Beschermingsrooster ventilator • Grelha de protecção do ventilador • Защитная сетка вентилятора HP5091DT3H - HP5111DT3H - HP5151DT3H HP5181DT3H	HWX80900375 HWX20000220369
4	Fan blade • Hélice Ventilateur • Gebläsepropeller • Hélice ventilador • Elica ventilatore • Ventilatorblad • Hélice ventilador • Винт вентилятора	

N°	Description	
	HP5091DT3H - HP5111DT3H HP5151DT3H - HP5181DT3H	HWX30103000006 HWX30103000001
5	-	
6	DC Fan Motor • Moteur ventilateur DC • Motor Ventilator DC • Motor ventilador CC • Motore ventola DC • Motor ventilator DC • Motor do ventilador DC • Motor вентилятора DC HP5091DT3H - HP5111DT3H HP5151DT3H - HP5181DT3H	HWX8200018 HWX20000330132
7	16 A 50 Hz 5 mH coil • Bobine 16 A 50 Hz 5 mH • Wicklung 16 A 50 Hz 5 mH • Bobina 16 A 50 Hz 5 mH • Bobina 16 A 50 Hz 5 mH • Spoel 16 A 50 Hz 5 mH • Bobina 16 A 50 Hz 5 mH • Катюшка 16 A 50 Hz 5 mH HP5091DT3H - HP5111DT3H	HWX82500006
7	20 A 50 Hz 5.2 mH coil • Bobine 20 A 50 Hz 5.2 mH • Wicklung 20 A 50 Hz 5.2 mH • Bobina 20 A 50 Hz 5.2 mH • Bobina 20 A 50 Hz 5.2 mH • Spoel 20 A 50 Hz 5.2 mH • Bobina 20 A 50 Hz 5.2 mH • Катюшка 20 A 50 Hz 5.2 mH HP5151DT3H - HP5181DT3H	HWX82500005
8	Left panel • Panneau Gauche • Linkes Schild • Panel de la izquierda • Pannelo sinistro • Linkerpaneel • Panel esquerdo • Левая панель HP5091DT3H - HP5111DT3H HP5151DT3H HP5181DT3H	HWX80702123 HWX80700244 HWX80702268
9	Fin coil • Evaporateur à ailette • Flügelevaporator • Evaporador de aleta • Evaporatore a piastre • Verdamer met lamellen • Evaporador de alheta • Пластинчатый испаритель HP5091DT3H HP5111DT3H HP5151DT3H HP5181DT3H	HWX80600042 HWX80600043 HWX80600044 HWX80600078
10	Motor bracket • Support Moteur • Motorträger • Soporte del motor • Supporto motore • Motorsteun • Suporte do motor • Опора двигателя HP5091DT3H - HP5111DT3H HP5151DT3H HP5181DT3H	HWX80700218 HWX80700248 HWX80700329
11	-	
12	Upper front panel • Panneau supérieur • Obere Platte • Panel superior • Pannelo superiore • Paneel voorkant boven • Painel superior • Верхняя панель HP5091DT3H - HP5111DT3H HP5151DT3H HP5181DT3H	HWX80900055 HWX80900255 HWX80900371
13	-	
14	-	
15	Low pressure switch NO 0.30 MPa / 0.15 Mpa • Pressostat basse pression NO 0.30 MPa / 0.15 Mpa • Druckregler Niedrigdruck NO 0.30 MPa / 0.15 Mpa • Presostato baja presión NO 0.30 MPa / 0.15 Mpa • Pressostato Bassa pressione NO 0.30 MPa / 0.15 Mpa • Drukregelaar lage druk NO 0.30 MPa / 0.15 MPa • Pressóstato de baixa pressão NO 0.30 MPa / 0.15 MPa • Реле низкого давления NO 0.30 MPa / 0.15 MPa HP5091DT3H - HP5111DT3H - HP5151DT3H - HP5181DT3H	HWX20000360157
16	Pressure Tap 40 mm-1/2" • Prise de pression 40 mm-1/2" • Druckanschluss 40 mm-1/2" • Toma de presión 40 mm-1/2" • Rilevamento pressione 40 mm-1/2" • Drukafsluiter 40 mm-1/2" • Tomada de pressão 40 mm-1/2" • Замер давления 40 мм 1/2 дюйма HP5091DT3H - HP5111DT3H - HP5151DT3H - HP5181DT3H	HWX20000140150
17	High pressure switch NC 3.2 MPa/4.4 Mpa • Pressostat haute pression NC 3.2 MPa/4.4 Mpa • Druckregler Hochdruck NC 3.2 MPa/4.4 Mpa • Presostato de alta presión NC 3.2 MPa/4.4 Mpa • Pressostato Alta pressione NC 3.2 MPa/4.4 Mpa • Drukregelaar hoge druk NC 3.2 MPa/4.4 Mpa • Pressóstato de alta pressão NC 3.2 MPa/4.4 Mpa • Реле низкого давления NC 3.2 MPa/4.4 Mpa HP5091DT3H - HP5111DT3H - HP5151DT3H - HP5181DT3H	HWX20013605
18	Water flow detector • Détecteur de débit d'eau • Sensor des Wasserdurchsatzes • Detector del caudal • Rilevatore portata acqua • Detector waterdebit • Detector de débito de água • Детектор пропускной способности HP5091DT3H - HP5111DT3H - HP5151DT3H - HP5181DT3H	HWX83000068
19	T connector Ø 6.5-2 x Ø 6.5(T) x 0.75 • Connecteur T Ø 6.5-2 x Ø 6.5(T) x 0.75 • T-Stecker Ø 6.5-2 x Ø 6.5(T) x 0.75 • Conector en T Ø 6.5-2 x Ø 6.5(T) x 0.75 • Connettore a T Ø 6.5-2 x Ø 6.5(T) x 0.75 • T-schakelaar Ø 6.5-2 x Ø 6.5(T) x 0.75 • Conector T Ø 6.5-2 x Ø 6.5(T) x 0.75 • Соединитель T Ø 6.5-2 x Ø 6.5(T) x 0.75 HP5091DT3H - HP5111DT3H - HP5151DT3H - HP5181DT3H	HWX20001460
20	Electronic expansion valve • Détendeur électronique • Elektronischer Sensor • Descompresor electrónico • Riduttore di pressione elettronico • Elektronisch reduceerventiel • Regulador electrónico • Электронный редуктор HP5091DT3H - HP5111DT3H HP5151DT3H - HP5181DT3H	HWX81000011 HWX81000013
21	T connector Ø 9.52-2 x Ø 6.35(T) x 1.0 • Connecteur T Ø 9.52-2 x Ø 6.35(T) x 1.0 • T-Stecker Ø 9.52-2 x Ø 6.35(T) x 1.0 • Conector en T Ø 9.52-2 x Ø 6.35(T) x 1.0 • Connettore a T Ø 9.52-2 x Ø 6.35(T) x 1.0 • T-schakelaar Ø 9.52-2 x Ø 6.35(T) x 1.0 • Conector T Ø 9.52-2 x Ø 6.35(T) x 1.0 • Соединитель T Ø 9.52-2 x Ø 6.35(T) x 1.0 HP5091DT3H - HP5111DT3H - HP5151DT3H - HP5181DT3H	HWX30403000002
22	Filter Ø 9.7-Ø 9.7 (Ø19) • Filtre Ø 9.7-Ø 9.7 (Ø19) • Filter Ø 9.7-Ø 9.7 (Ø19) • Filtro Ø 9.7-Ø 9.7 (Ø19) • Filtro Ø 9.7-Ø 9.7 (Ø19) • Filtro Ø 9.7-Ø 9.7 (Ø19) • Фильтр Ø 9.7-Ø 9.7 (Ø19) HP5091DT3H - HP5111DT3H	HWX20000140178
22	Filter Ø 9.7-Ø 9.7 (Ø28) • Filtre Ø 9.7-Ø 9.7 (Ø28) • Filter Ø 9.7-Ø 9.7 (Ø28) • Filtro Ø 9.7-Ø 9.7 (Ø28) • Filtro Ø 9.7-Ø 9.7 (Ø28) • Filtro Ø 9.7-Ø 9.7 (Ø28) • Фильтр Ø 9.7-Ø 9.7 (Ø28) HP5151DT3H - HP5181DT3H	HWX20041444
23	4 ways valve • Vanne 4 voies • 4-Wege-Ventil • Válvula 4 vías • Valvola 4 vie • 4-wegskraan • Válvula de 4 vías • 4-ходовой клапан HP5091DT3H - HP5111DT3H - HP5151DT3H - HP5181DT3H	HWX20041437

## K-PAC / HP5091DT3H / HP5111DT3H / HP5151DT3H / HP5181DT3H

N°	Description	
24	Access hatch • Trappe d'accès électrique • Stromanschlussklappe • Trampilla de acceso eléctrico • Portello d'accesso scatola elettrica • Elektrische toegangsopening • Alçapão de acesso eléctrico • Трапп автоматизированные	HP5091DT3H - HP5111DT3H - HP5151DT3H - HP5181DT3H
		HWX320922029
25	Right panel • Panneau Droit • Rechtes Schild • Panel derecho • Pannelo destro • Rechterpaneel • Paineil direito • Правая панель	HP5091DT3H - HP5111DT3H HP5151DT3H HP5181DT3H
		HWX80700580 HWX80700878 HWX80700581
26	Titanium / PVC condenser • Condenseur Titane PVC • Titan/PVC--Kondensator • Condensador de titanio/PVC • Condensatore Titanio/PVC • Titaancondensator/pvc • Condensador Titânio/PVC • Конденсатор Титане/ПВХ	HP5091DT3H HP5111DT3H HP5151DT3H HP5181DT3H
		HWX32012120061 HWX32012120056 HWX80600096 HWX80600075
27	-	
28	Compressor • Compresseur • Kompressor • Compresor • Compresore • Compressor • Compressor • Компрессор	HP5091DT3H - HP5111DT3H HP5151DT3H - HP5181DT3H
		HWX80100108 HWX80100046
29	Compressor aspiration sensor 5 k - 560 mm • Sonde Aspiration Compresseur 5 k - 560 mm • Saugsonde des Kompressors 5 k - 560 mm • Sonda de aspiración compresor 5 k - 560 mm • Sonda di aspirazione compressore 5 k - 560 mm • Aspiratiesonde compressor 5 k - 560 mm • Sonda de aspiração compressor 5 k - 560 mm • Датчик всасывания компрессора 5 k - 560 mm	HP5091DT3H - HP5111DT3H
		HWX83000044
29	Compressor aspiration sensor 5 k - 760 mm • Sonde Aspiration Compresseur 5 k - 760 mm • Saugsonde des Kompressors 5 k - 760 mm • Sonda de aspiración compresor 5 k - 760 mm • Sonda di aspirazione compressore 5 k - 760 mm • Aspiratiesonde compressor 5 k - 760 mm • Sonda de aspiração compressor 5 k - 760 mm • Датчик всасывания компрессора 5 k - 760 mm	HP5151DT3H - HP5181DT3H
		HWX83000053
29	Temperature sensor Air 5 k - 350 mm • Sonde température Air 5 k - 350 mm • Lufttemperatursensor 5 k - 350 mm • Sonda de temperatura de aire 5 k - 350 mm • Sonda temperatura aria Air 5 k - 350 mm • Luchttemperatuursonde 5 k - 350 mm • Sonda temperatura de ar 5 k - 350 mm • Датчик температуры воздуха 5 k - 350 mm	HP5091DT3H - HP5111DT3H - HP5151DT3H - HP5181DT3H
		HWX83000049
29	Water outlet sensor 5 k - 410 mm • Sonde Sortie d'eau 5 k - 410 mm • Sensor des Wasserauslasses 5 k - 410 mm • Sonda de saída de água 5 k - 410 mm • Sonda uscita acqua 5 k - 410 mm • Waterafvoer sonde 5 k - 410 mm • Sonda de saída de água 5 k - 410 mm • Воды на выходе зонда 5 k - 410 mm	HP5091DT3H - HP5111DT3H - HP5151DT3H - HP5181DT3H
		HWX83000050
29	Water inlet sensor 5 k - 850 mm • Sonde Entrée d'eau 5 k - 850 mm • Sensor des Wassereinlasses 5 k - 850 mm • Sonda de entrada de agua 5 k - 850 mm • Sonda temperatura acqua in ingresso 5 k - 850 mm • Sensor voor binnenkomend water 5 k - 850 mm • Sonda de entrada de água 5 k - 850 mm • Воды на входе зонда 5 k - 850 mm	HP5091DT3H - HP5111DT3H - HP5151DT3H
		HWX83000052
29	Water inlet sensor 5 k - 980 mm • Sonde Entrée d'eau 5 k - 980 mm • Sensor des Wassereinlasses 5 k - 980 mm • Sonda de entrada de agua 5 k - 980 mm • Sonda temperatura acqua in ingresso 5 k - 980 mm • Sensor voor binnenkomend water 5 k - 980 mm • Sonda de entrada de água 5 k - 980 mm • Воды на входе зонда 5 k - 980 mm	HP5181DT3H
		HWX83000055
29	Compressor discharge probe 50 k - 660 mm • Sonde Refoulement Compresseur 50 k - 660 mm • Abgabekompressorsensor 50 k - 660 mm • Sonda de descarga compresor 50 k - 660 mm • Sonda scarico compressore 50 k - 660 mm • Compressor ontlading sonde 50 k - 660 mm • Sonda de descarga compresor 50 k - 660 mm • датчик нагнетания компрессора 50 k - 660 mm	HP5091DT3H - HP5111DT3H - HP5151DT3H - HP5181DT3H
		HWX83000026
29	De-icing sensor 5 k - 680 mm • Sonde de dégivrage 5 k - 680 mm • Abtausonde 5 k - 680 mm • Sonda de descongelación 5 k - 680 mm • Sonda antigelo 5 k - 680 mm • Ontdooisensor 5 k - 680 mm • Sonda descongelação 5 k - 680 mm • Датчик размораживания 5 k - 680 mm	HP5091DT3H - HP5111DT3H
		HWX83000051
29	De-icing sensor 5 k - 1040 mm • Sonde de dégivrage 5 k - 1040 mm • Abtausonde 5 k - 1040 mm • Sonda de descongelación 5 k - 1040 mm • Sonda antigelo 5 k - 1040 mm • Ontdooisensor 5 k - 1040 mm • Sonda descongelação 5 k - 1040 mm • Датчик размораживания 5 k - 1040 mm	HP5151DT3H - HP5181DT3H
		HWX83000045
30	Printed circuit board Driver • Carte électronique Driver • Elektronische Treiberkarte • Tarjeta electrónica Driver • Scheda elettronica Driver • Elektronische driver-kaart • Placa eletrónica Driver • Управляющая электронная плата	HP5091DT3H HP5111DT3H HP5151DT3H HP5181DT3H
		HWX72200094091D HWX72200094111D HWX72200015151D HWX72200015181D
31	K2 relay • Relais K2 • Relais K2 • Relè K2 • Relè K2 • Relais K2 • Relés K2 • Реле K2	HP5091DT3H - HP5111DT3H - HP5151DT3H - HP5181DT3H
		HWX20000360297
32	Terminal block L-N-GND 5 connections 4 mm² • Bornier L-N-GND -5 connexions 4 mm² • Klemmleiste L-N-GND 5 Anschlüssen 4 mm² • Borna L-N-GND -5 conexiones 4 mm² • Morsettiera L-N-GND 5 connessioni 4 mm² • Aansluitblok L-N-GND 5 aansluitingen 4 mm² • Terminal L-N-GND -5 ligações 4 mm² • Переходник, L-N-GND 5-x контактный 4 mm²	HP5091DT3H - HP5111DT3H - HP5151DT3H - HP5181DT3H
		HWX40003901
33	Transformer 240 V~/12 DC • Transformateur 240 V~/12 DC • Transformator 240 V~/12 DC • Transformador 240 V~/12 DC • Trasformatore 240 V~/12 DC • Transformator 240 V~/12 DC • Transformator 240 V~/12 DC • Трансформатор 240 V~/12 DC	HP5091DT3H - HP5111DT3H - HP5151DT3H - HP5181DT3H
		HWX82600008
34	Waterproof cover • Porte de protection • Beschermingsdeur • Puerta de protección • Waterdichte hoës • Copertura impermeabile • Porta de protecção • Водонепроницаемый чехол	HP5091DT3H - HP5111DT3H HP5151DT3H HP5181DT3H
-	Couverture d'hivernage • Winter cover • Winterabdeckung • Cubierta de invierno • Copertura invernale • Cobertura de inverno • Winterkleed	HP5091DT3H - HP5111DT3H HP5151DT3H HP5181DT3H
		HWX84100131 HWX84100133 HWX84100132